

SPECIFICATION:

Current rating: 1.5 A
Insulation resistance: 1000 M Ω min.
Contact resistance: 20 m Ω max.
Dielectric voltage: 1000 V AC
Operation temperature: -40 °C to +80 °C
Cable to tensile strength: 7.7 kg max.

MATERIAL:

Housing: Polycarbonate UL94V-2
Contacts: Phosphorbronze

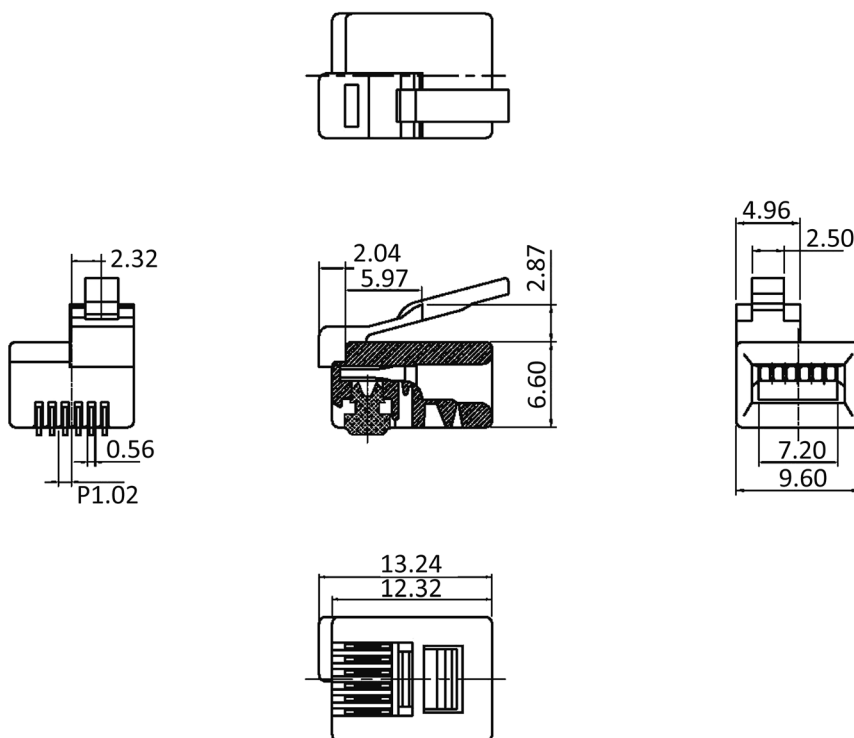
FINISH:

Contacts: Gold plated 3 μ "

HANDLING:

Packing: Bulk

RoHS
COMPLIANT



Order-Information

Identifier:

MPL6/6DEC

Modular Plug 6P6C with Offset Latch, unshielded