

SPECIFICATION:

Current rating: 1 A
 Insulation resistance: 1000 MΩ min.
 Contact resistance: 30 mΩ max.
 Operation temperature: -55 °C to +85 °C

**RoHS
COMPLIANT**

MATERIAL:

Housing: PBT UL94V-0
 Pins: Phosphorbronze

FINISH:

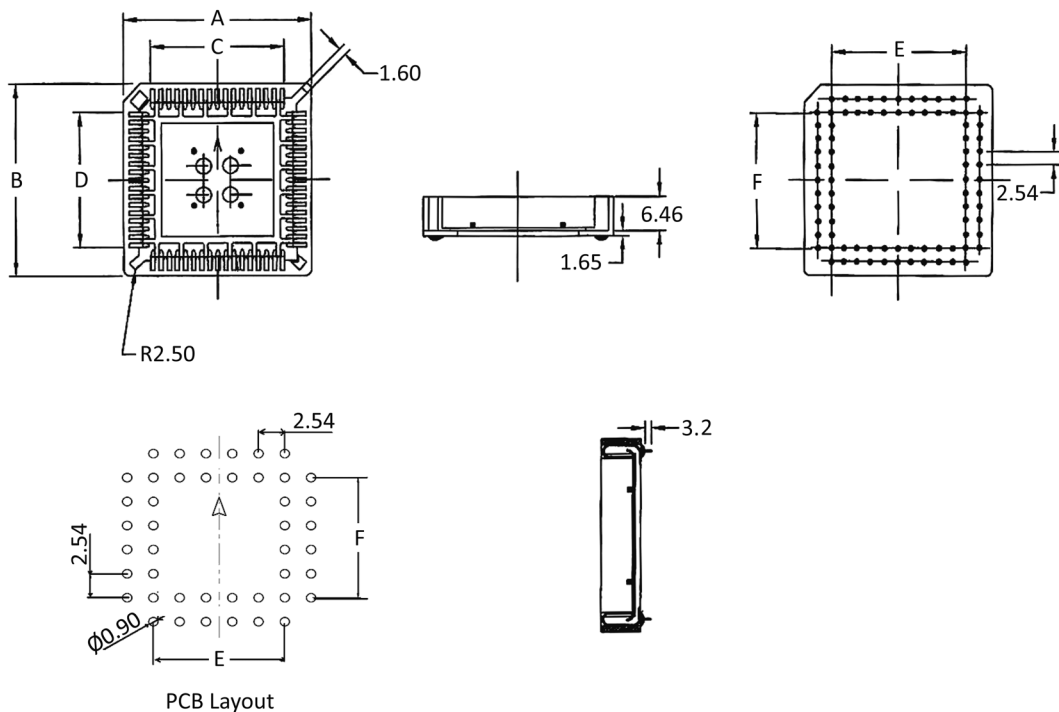
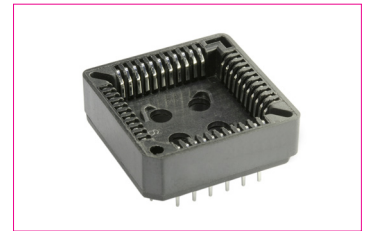
Contacts: Tin plated

HANDLING:

Processing: Wave soldering
 Packing: Tube

TOLERANCE:

.X ± 0.30
 .XX ± 0.20



Dimensions

No. of contacts:	A:	B:	C:	D:	E:	F:
28	18.04	18.04	7.62	7.62	7.62	7.62
32	18.04	20.54	7.62	10.16	7.62	10.16
44	23.48	23.48	12.70	12.70	12.70	12.70
52	25.88	25.88	15.24	15.24	15.24	15.24
68	31.66	31.66	20.32	20.32	20.32	20.32
84	36.66	36.66	25.40	25.40	25.40	25.40

Order-Information

Identifier:	No. of contacts:
PLCC	#
PLCC Socket	28: 28 pin
	32: 32 pin
	44: 44 pin
	52: 52 pin
	68: 68 pin
	84: 84 pin