

Modular Jacks, unshielded

PCB with flange



RoHS COMPLIANT

SPECIFICATION:

Current rating: 1.5 A
 Insulation resistance: 500 MΩ min.
 Contact resistance: 40 mΩ max.
 Dielectric voltage: 1000 V AC
 Operation temperature: 0 °C to +80 °C

MATERIAL:

Housing: PBT UL94V-0
 Contacts: Phosphorbronze
 Solder pins: Phosphorbronze

FINISH:

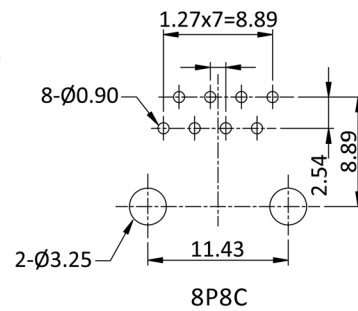
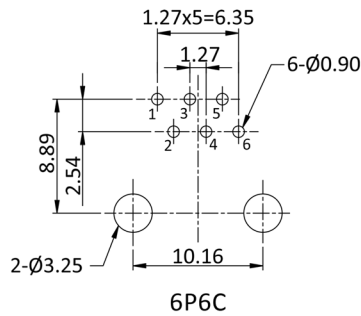
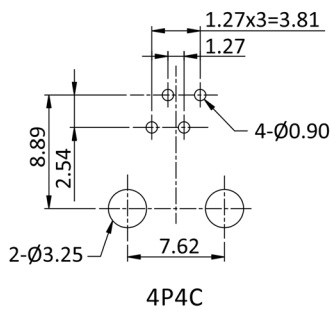
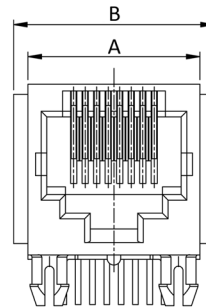
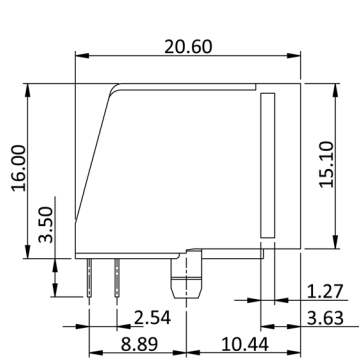
Contacts: Gold over nickel
 Solder pins: Tin over nickel

HANDLING:

Processing: Wave soldering
 Packing: Tray

TOLERANCE:

.X ± 0.38
 .XX ± 0.25



Dimensions

Positions:	A	B
4	11.18	13.72
6	13.21	15.75
8	15.24	17.78

Order-Information

Identifier:	Positions:	Conductors:	Contact Plating:
MEB	# /	# P	#
Modular Jack unshielded, PCB mount	4: 4P 6: 6P 8: 8P	4: 4C 6: 6C 8: 8C	empty: 6 μ" Gold * B: 15 μ" Gold C: 30 μ" Gold D: 50 μ" Gold

* = standard