

USB 2.0 Sockets Type A

PCB, vertical



RoHS
COMPLIANT

SPECIFICATION:

Current rating: 1.5 A
Voltage rating: 250 V
Insulation resistance: 1000 MΩ min.
Contact resistance: 50 mΩ max.
Dielectric voltage: 500 V AC
Operation temperature: -55 °C to +60 °C

MECHANICAL:

Mating force: ≤ 35 N
Unmating force: ≥ 10 N

MATERIAL:

Insulator: PBT UL94V-0
Shell: Brass
Contacts: Phosphorbronze

FINISH:

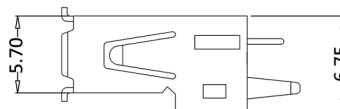
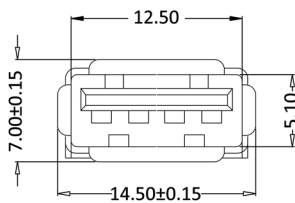
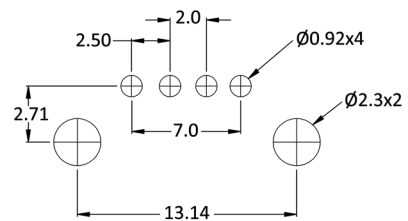
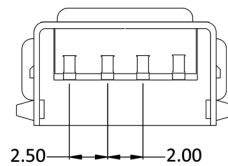
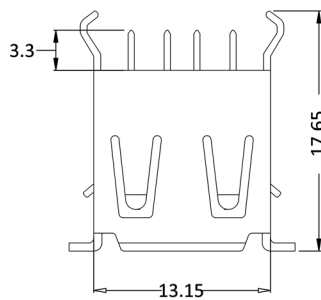
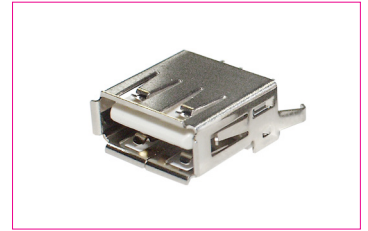
Shell: Tin plated
Contacts: Gold Flash in contact area
Tin plated on solder tails

HANDLING:

Processing: Wave soldering
Packing: Tray

TOLERANCE:

.X ± 0.20
.XX ± 0.10



Order-Information

Identifier:

UBU1AH

Socket Type A vertical

Insulator colour:

#

empty: white

S: black