

# USB 2.0 Sockets Type A

SMT, Shell DIP



RoHS  
COMPLIANT

### SPECIFICATION:

Current rating: 1,5 A  
Voltage rating: 250 V  
Insulation resistance: 1000 MΩ min.  
Contact resistance: 30 mΩ max.  
Dielectric voltage: 750 V AC  
Operation temperature: -55 °C to +85 °C

### MECHANICAL:

Mating force:  $\leq 35$  N  
Unmating force:  $\geq 10$  N

### MATERIAL:

Insulator: Nylon PA9T white UL94V-0  
Shell: Brass  
Contacts: Phosphorbronze

### FINISH:

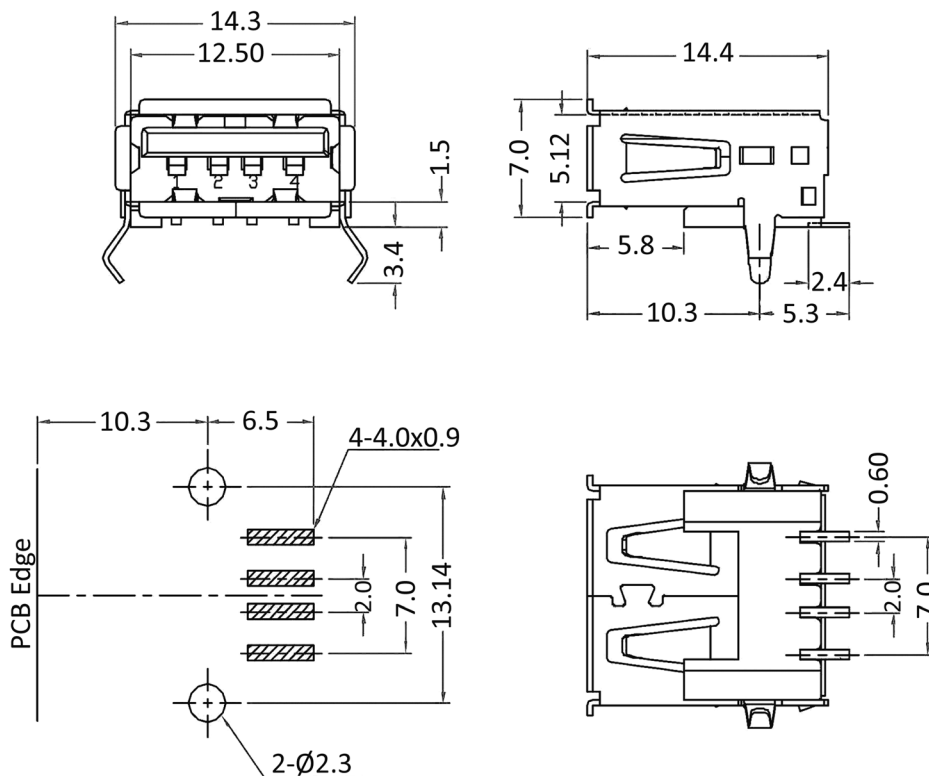
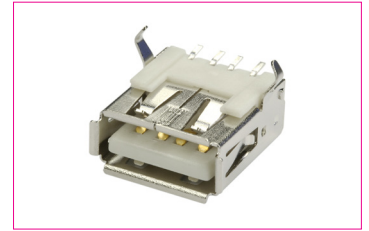
Shell: Nickel plated  
Contacts: Gold Flash in contact area  
Tin plated on solder tails

### HANDLING:

Processing: Reflow soldering  
Packing: Tray

### TOLERANCE:

.X  $\pm 0.25$   
.XX  $\pm 0.13$



### Order-Information

Identifier:

UBU1ASMD

SMT Socket Type A angled