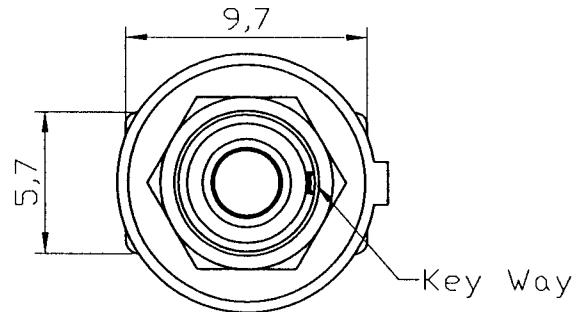
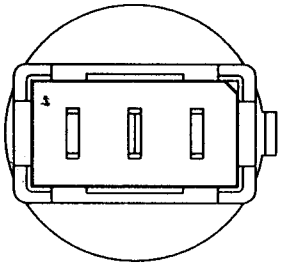
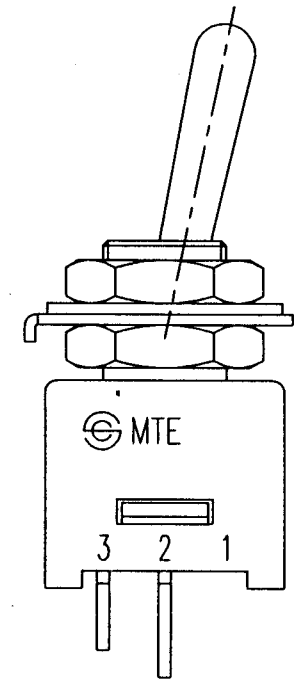
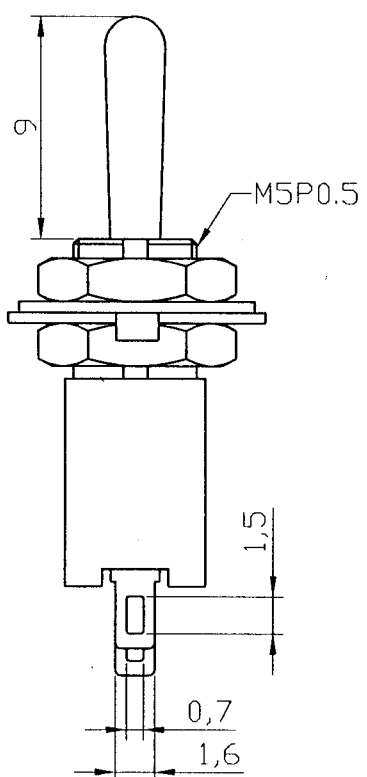
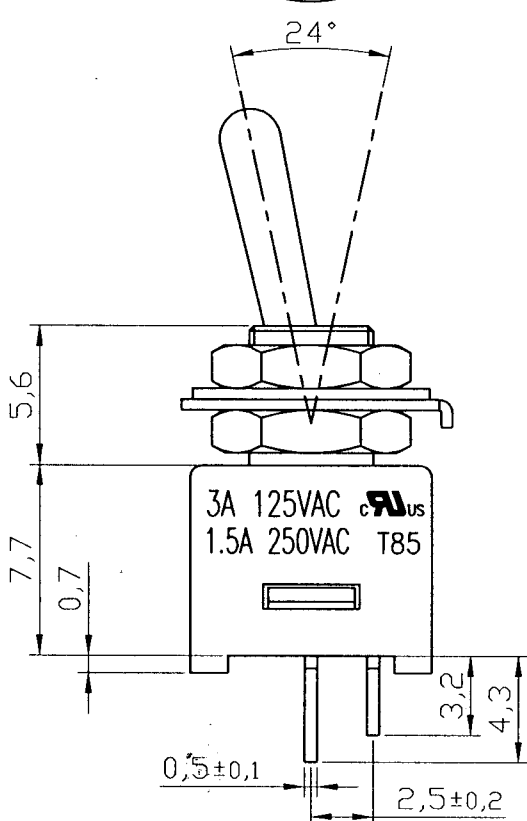


Rating	3A 125VAC, 1.5A 250VAC cULus T85		
Contact R	20m ohm Max.		
Insulation R	DC 500V 100M ohm Min.		
Dielectric Strength	AC 1000V 1 minute		
Operation Temperture	-20°~85°		
Circuit	2P SPST ON-OFF		



MATERIAL:  
 Frame: PBT  
 Base: PBT  
 Toggle: Nickel plated brass  
 Terminal: Silver plated copper



發行  
 96.3.14  
 研發部

△	Date	Name	Descriptions			
Drawing	Check	Approval	SCI No.		Model Name	Mini Toggle Switch
蘇崇仁			Customer No.		Model No.	MTE101A1
5/10/06		3/1307	Unit	mm		