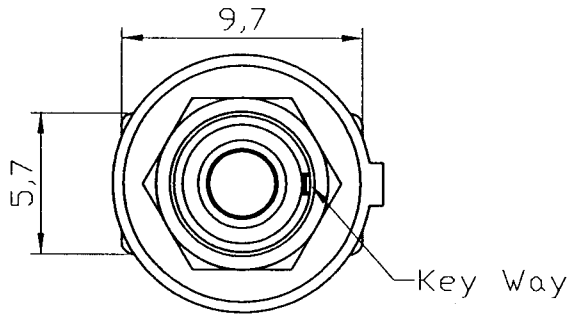
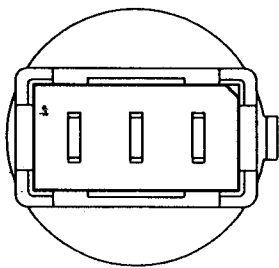
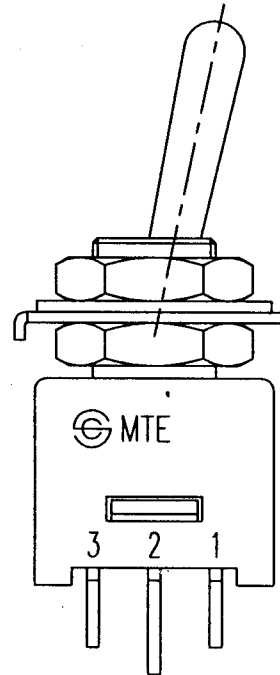
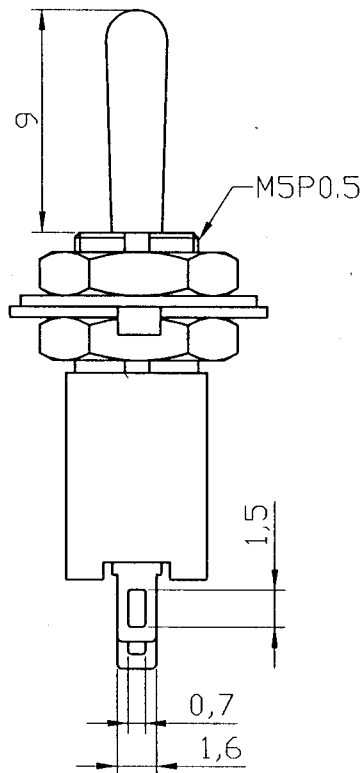
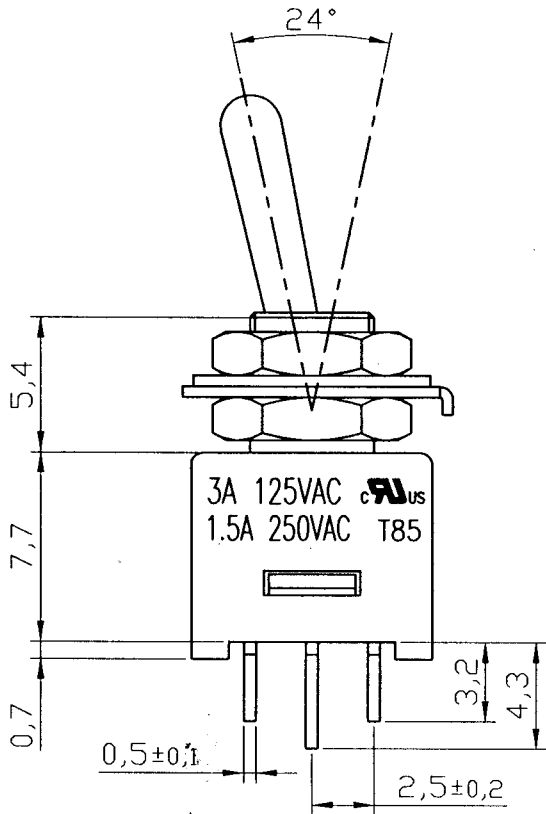


Rating	3A 125VAC, 1.5A 250VAC cULus T85		
Contact R	20m ohm Max.		
Insulation R	DC 500V 100M ohm Min.		
Dielectric Strength	AC 1000V 1 minute		
Operation Tempature	-20°~85°		
Circuit	3P SPDT ON-ON	Thickness: 2.0 max.	



MATERIAL:
 Frame: PBT
 Base: PBT
 Toggle: Nickel plated brass
 Terminal: Silver plated copper



△	Date	Name	Descriptions			
Drawing	Check	Approval	SCI No.	Model Name	Mini Toggle Switch	
蘇崇仁		<i>DZL</i>	Customer No.	Model No.	MTE102A1	
5/10/06		3/1307	Unit	mm		