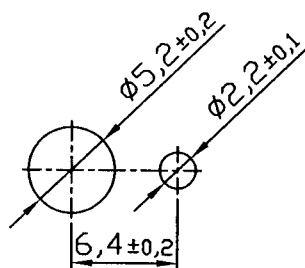
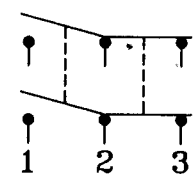
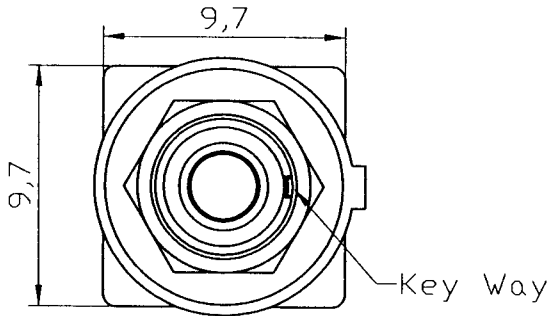
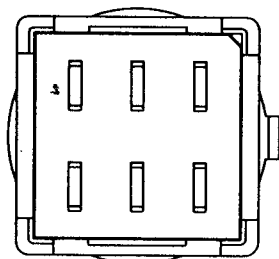
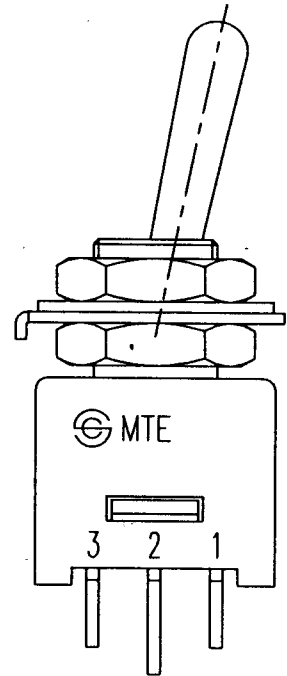
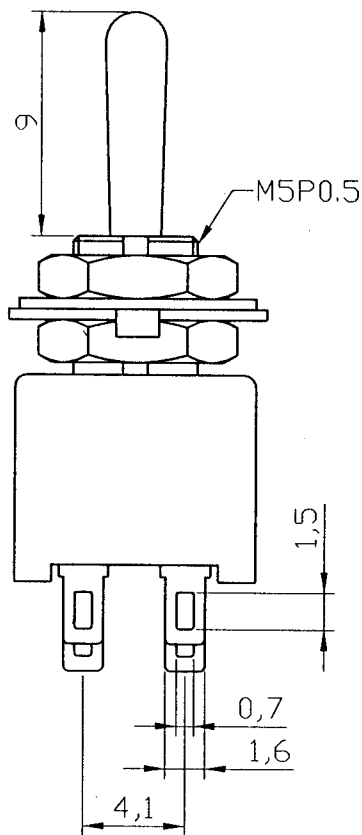
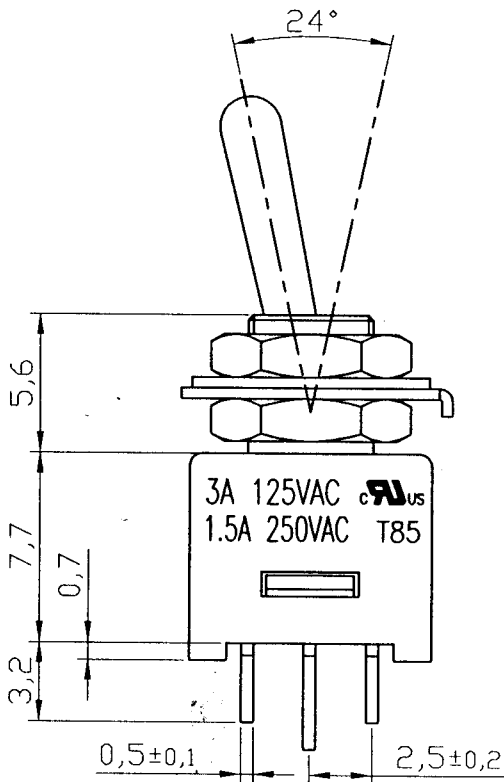


Rating	3A 125VAC, 1.5A 250VAC cRU _{US} T85	Mounting Hole	Circuit Structure
Contact R	20m ohm Max.		
Insulation R	DC 500V 100M ohm Min.		
Dielectric Strength	AC 1000V 1 minute		
Operation Tempature	-20°~85°		
Circuit	6P SPDT ON-ON		
		Thickness: 2.0 max.	



MATERIAL:
 Frame: PBT
 Base: PBT
 Toggle: Nickel plated brass
 Terminal: Silver plated copper



△	Date	Name	Descriptions			
Drawing	Check	Approval	SCI No.		Model Name	Mini Toggle Switch
蘇崇仁		<i>D.L.</i>	Customer No.		Model No.	MTE202A1
5/10/06		<i>3/13/07</i>	Unit	mm		