

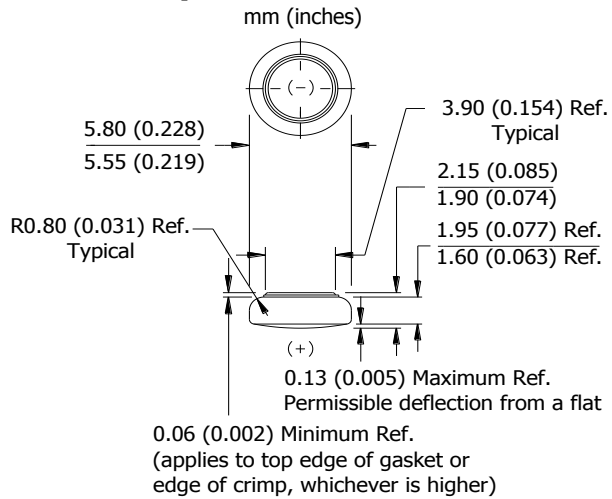
**ENERGIZER 379**

**ZEROMERCURY**

**SILVER OXIDE**



**Industry Standard Dimensions**



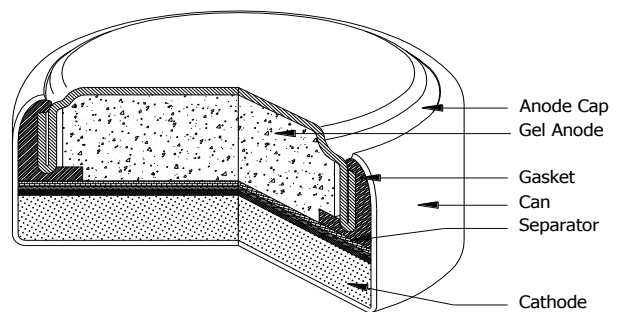
DESIGNED FOR USE ON CONTINUOUS LOW DRAIN

**Specifications**

<b>Chemical System:</b>	Silver Oxide (Zn/Ag <sub>2</sub> O)
<b>Designation:</b>	ANSI/NEDA-1191SO
<b>Nominal Voltage:</b>	1.55 Volts
<b>Typical Capacity:</b>	14.0 mAh* (to 1.2 volts)
<b>Capacity Test:</b>	47K ohm continuous drain at 21°C
<b>Typical Weight:</b>	0.21 grams (0.009 oz.)
<b>Typical Volume:</b>	0.06 cubic centimeters (0.003 cubic inch)
<b>Impedance (40 Hz):</b>	75 to 85 ohms

\* Varies according to the applied load, temperature, and cutoff voltage.

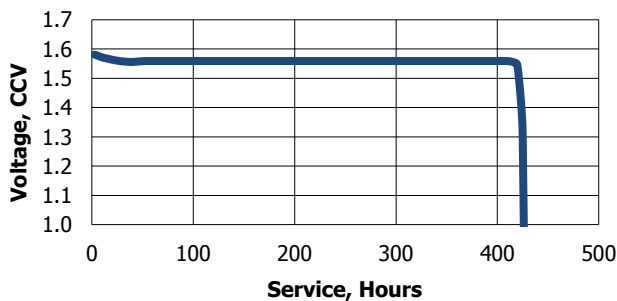
**Cross Section**



**Typical Discharge Characteristics**

Typical Performance at 21°C (70°F)

**Schedule:** Continuous  
**Typical Drain @1.55V:**  
0.033 milliamperes  
**Load:** 47K ohm

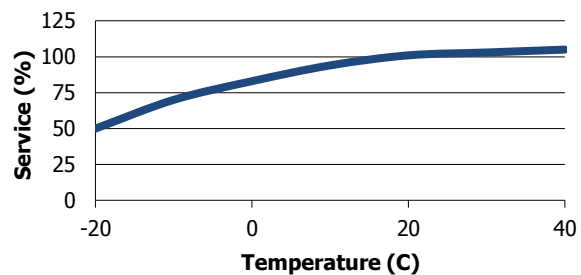


<b>Schedule</b>	<b>Typical Drains at 1.55V (milliamperes)</b>	<b>Load (ohm)</b>	<b>Cutoff (hours)</b>
Continuous	0.033	47K	425

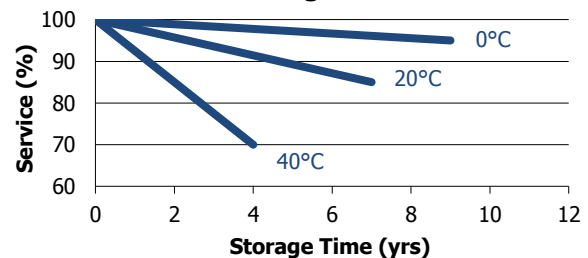
**Temperature Characteristics**

Typical Performance at Low Discharge Rates

**Service Effects**



**Storage Effects**



**Important Notice**

This datasheet contains typical information specific to products manufactured at the time of its publication.  
©Energizer Holdings, Inc. - Contents herein do not constitute a warranty.