

**DC
Sockets, angled**

Solder lugs



**RoHS
COMPLIANT**

SPECIFICATION:

Current rating: 2 A DC / 1 A AC
 Voltage rating: 12 V DC / 100 V AC
 Insulation resistance: 100 MΩ min. at 250 V DC
 Contact resistance: 30 mΩ max.
 Dielectric voltage: 500 V AC
 Insertion / Extraction Force: 0.3~3.0 kg
 Operating life: 4000 Mating cycles

MATERIAL:

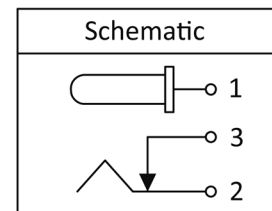
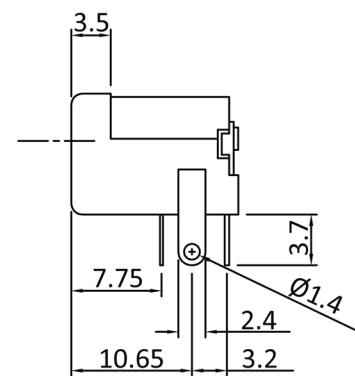
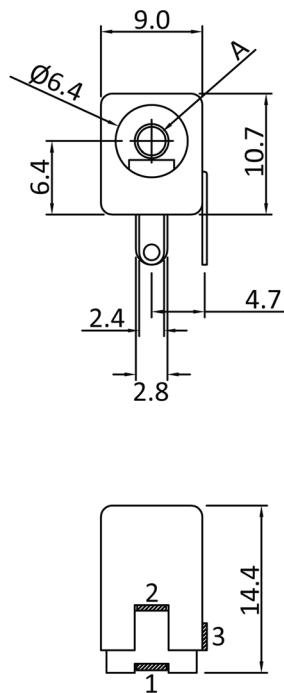
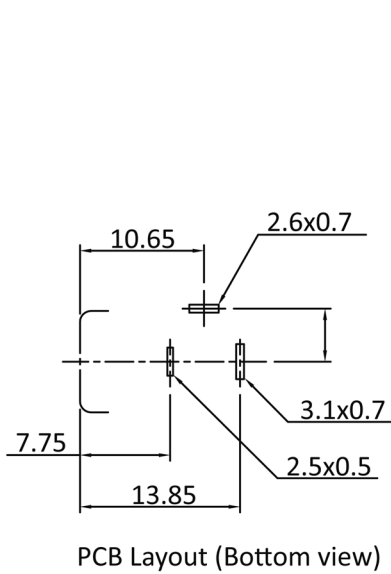
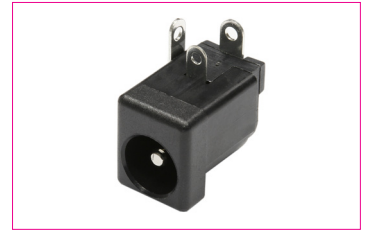
Housing: PBT UL94V-0
 Barrel: Brass
 Terminal: Copper alloy

FINISH:

Barrel: Nickel plated
 Terminal: Tin plated

TOLERANCE:

.X ±0.30



Order-Information

Identifier:

DC14JD

Diameter pin (A):

#

DC Socket angled PCB mount

20: Diameter 2.0 mm

25: Diameter 2.5 mm