

SPECIFICATION:

MATERIAL:

Hood: Plastic

HANDLING:

Packing: Bag

TOLERANCE:

.X ± 0.38
.XX ± 0.25

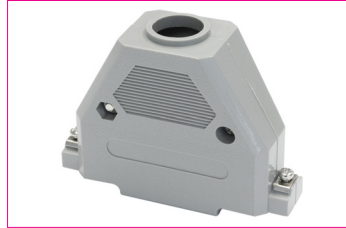
RoHS
COMPLIANT



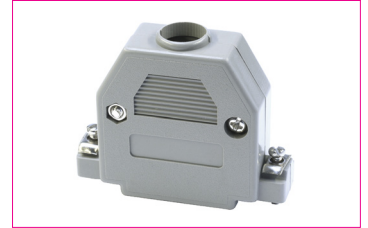
PH15



PH9

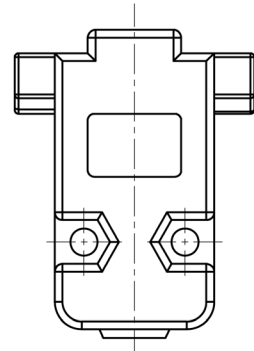
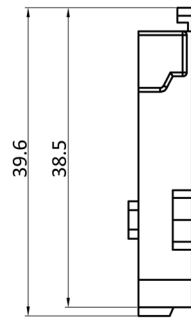
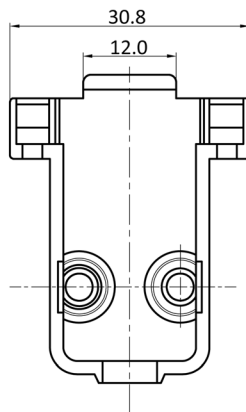
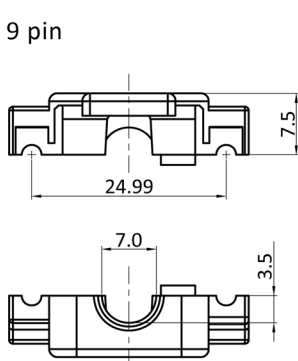


PH37

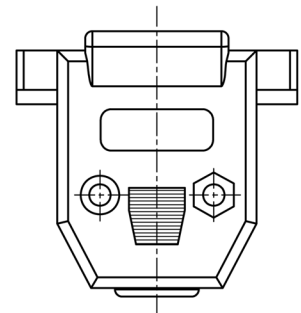
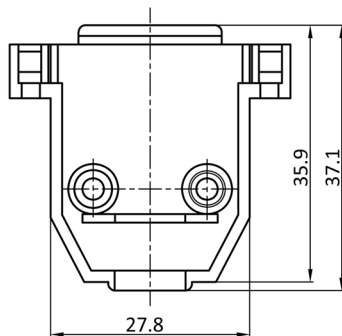
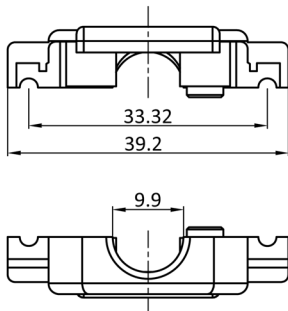


PH25

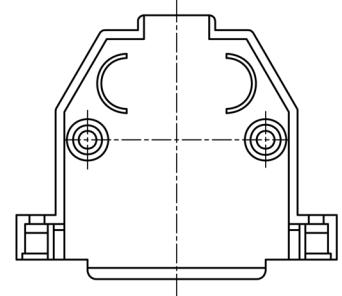
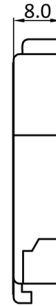
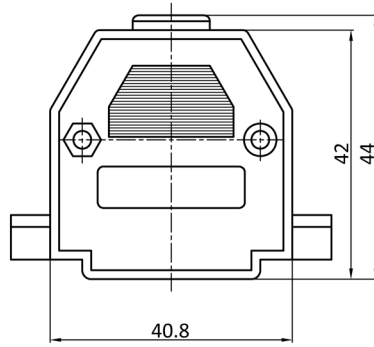
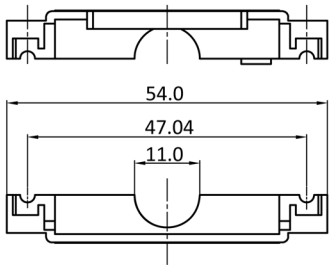
9 pin



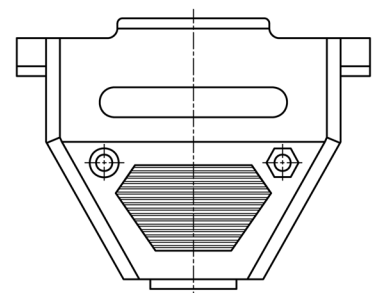
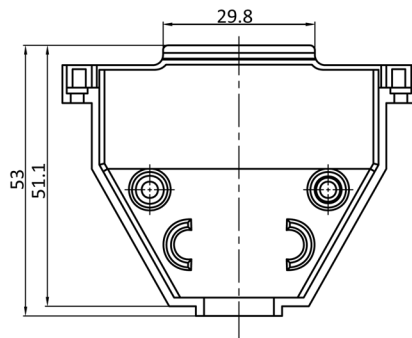
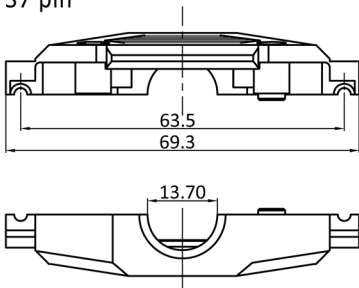
15 pin



25 pin



37 pin



Order-Information

Identifier:

PH

Hood with screw locking

No. of contacts:

#

9: 9 pin

15: 15 pin

25: 25 pin

37: 37 pin

Colour:

#

empty: grey