

D-Sub High Density, PCB angled

Male Connectors with Threaded Bolt
UNC 4/40



SPECIFICATION:

Current rating: 3 A
 Insulation resistance: 1000 MΩ min.
 Contact resistance: 13 mΩ max.
 Dielectric voltage: 500 V AC
 Operation temperature: -55 °C to +105 °C

MATERIAL:

Insulator: PBT black UL94V-0
 Shell: Steel
 Pins: Copper alloy

FINISH:

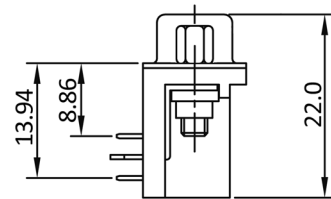
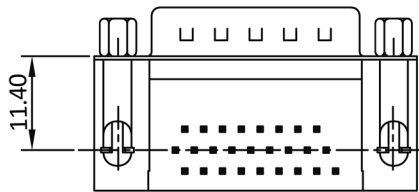
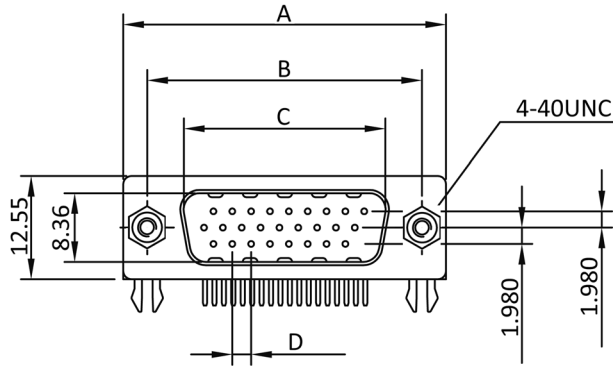
Contacts: Gold Flash
 Shell: Nickel plated

HANDLING:

Processing: Wave soldering
 Packing: Tray

TOLERANCE:

.X ± 0.25
 .XX ± 0.20



Dimensions

No. of contacts:	A:	B:	C:	D:
15	30.81	24.99	16.92	2.29
26	39.14	33.32	25.25	2.29
44	53.04	47.04	38.96	2.29

Order-Information

Identifier:	No. of contacts:	Version:
ST	#	HDW
D-Sub High Density Male with Solder Pins	15: 15 pin 26: 26 pin 44: 44 pin	HDW: High Density angled