

USB 2.0 Sockets Type A

PCB, vertical angled



RoHS
COMPLIANT

SPECIFICATION:

Current rating: 1 A
Voltage rating: 30 V
Insulation resistance: 1000 MΩ min.
Contact resistance: 30 mΩ max.
Dielectric voltage: 500 V AC
Operation temperature: -55 °C to +105 °C

MECHANICAL:

Mating force: ≤ 35 N
Unmating force: ≥ 10 N

MATERIAL:

Insulator: PBT white UL94V-0
Shell: Copper alloy
Contacts: Copper alloy

FINISH:

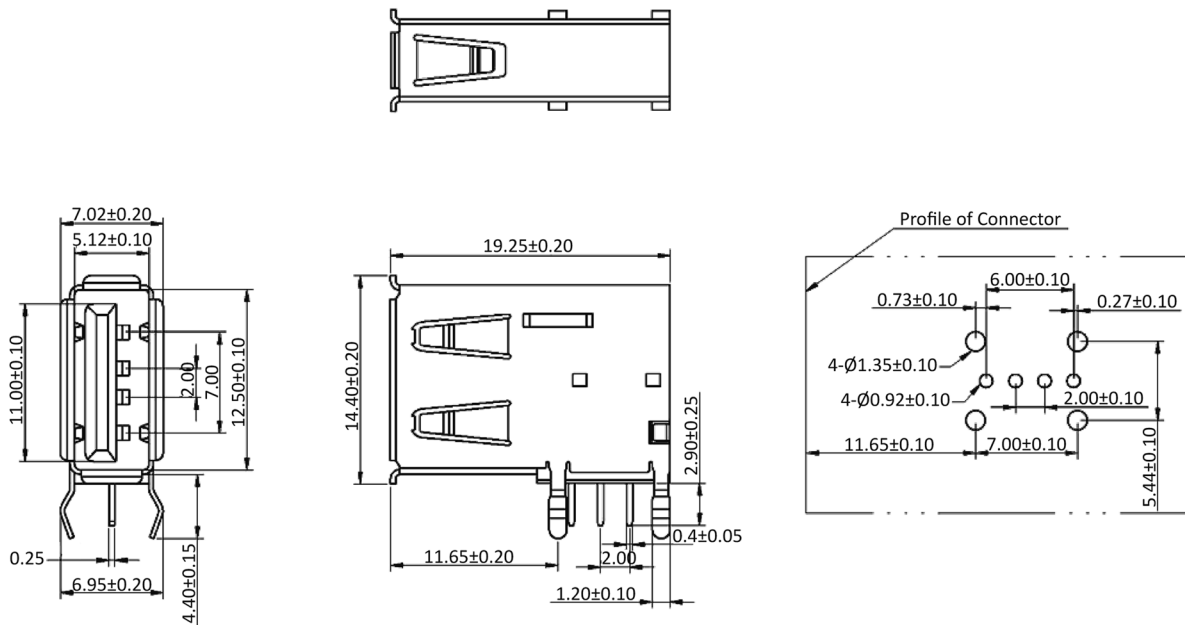
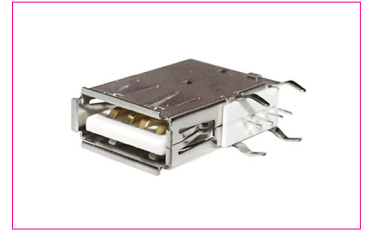
Shell: Nickel plated
Contacts: Gold Flash in contact area
Tin plated on solder tails

HANDLING:

Processing: Wave soldering
Packing: Tray

TOLERANCE:

.X ± 0.25
.XX ± 0.20



Order-Information

Identifier:

USBBUVA

Socket Type A vertical angled