

**SPECIFICATION:**

Impedance: 50 Ohm  
 Voltage rating: 500 V RMS max.  
 Insulation resistance: 5000 MΩ min.  
 Contact resistance: Inner conductor 3 mΩ max.  
 Outer conductor 2 mΩ max.  
 Dielectric voltage: 1000 V RMS max.

**MATERIAL:**

Insulator: Teflon  
 Inner conductor: Brass / Phosphorbronze  
 Shell: Brass  
 Gasket: Silicone

**FINISH:**

Inner conductor: Gold plated 2 μ"  
 Outer conductor: Gold plated 2 μ"

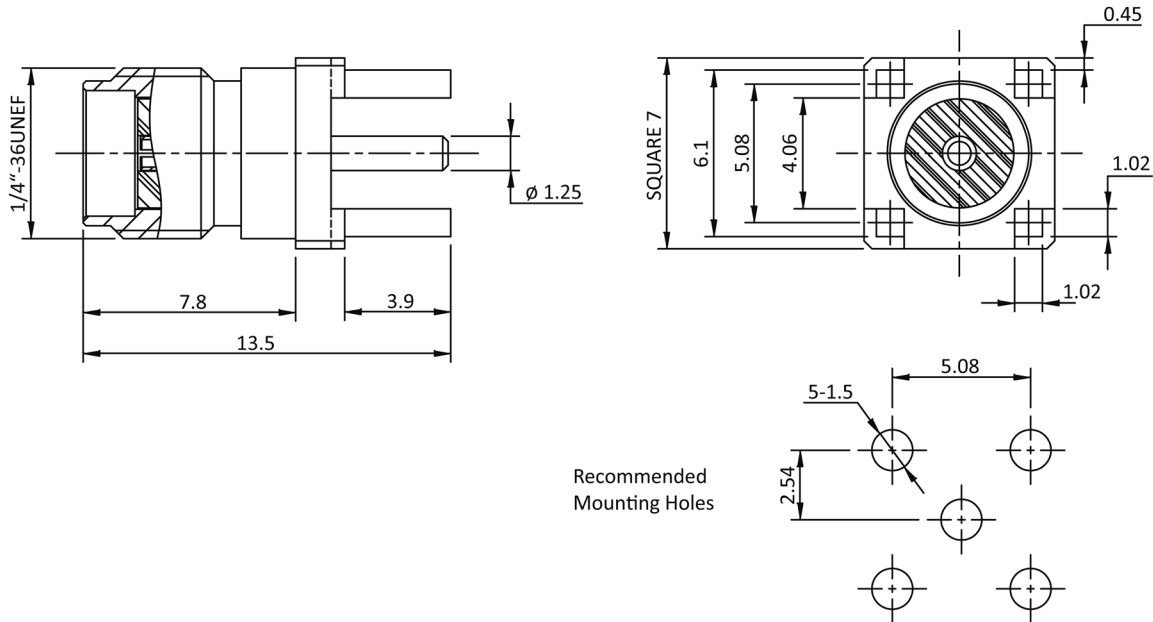
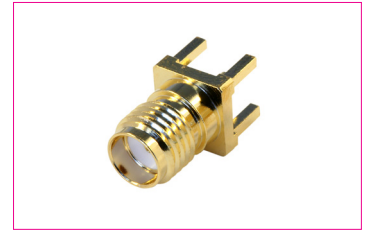
**HANDLING:**

Packing: Bag

**TOLERANCE:**

.X ± 0.40  
 .XX ± 0.20

**RoHS  
COMPLIANT**



**Order-Information**

Identifier:

**SMA10FG**

SMA Female receptacle gold plated, PCB mount