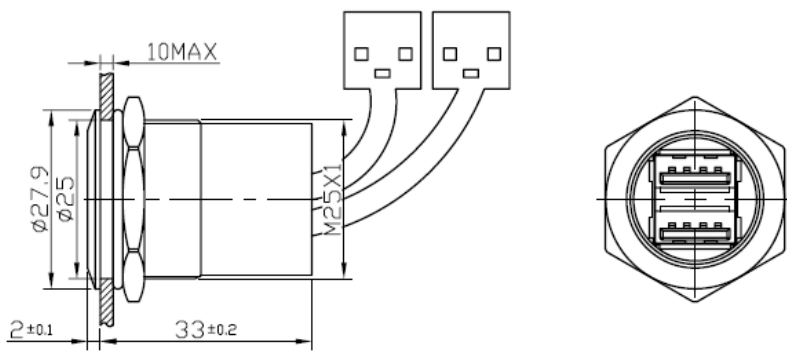


**Φ25 mm, 2x USB3.0 FEMALE A - MALE A with
60cm cable,
BN no. 1313910 (silver surface)
1313912(black surface)**



10MAX: means the panel thickness, the max thickness for the panel no more than 10mm.

| | |
|---|--|
| Specification | 2x USB3.0 FEMALE A –MALE A with 60cm cable |
| Mounting diameter | 25 mm |
| Body material | aluminium anodized(silver colour) |
| Operating and storage temperature | -20 to +55 °C |
| Operating and storage humidity | 45 to 85 % RH |
| Panel thickness | 1 ~ 10 mm |
| Transmission speed | ≥100MB/s |

Metal nut and O-ring included

This is a publication by Conrad Electronic SE, Klaus-Conrad-Str. 1, D-92240 Hirschau (www.conrad.com).

All rights including translation reserved. Reproduction by any method, e.g. photocopy, microfilming, or the capture in electronic data processing systems require the prior written approval by the editor. Reprinting, also in part, is prohibited. This publication represent the technical status at the time of printing.

© Copyright 2017 by Conrad Electronic SE.