



## Sat-IF splitting system (8 x Sat-IF) Multi-switch

**EXR 2908**  
20510019  
**EXR 2998**  
20510020

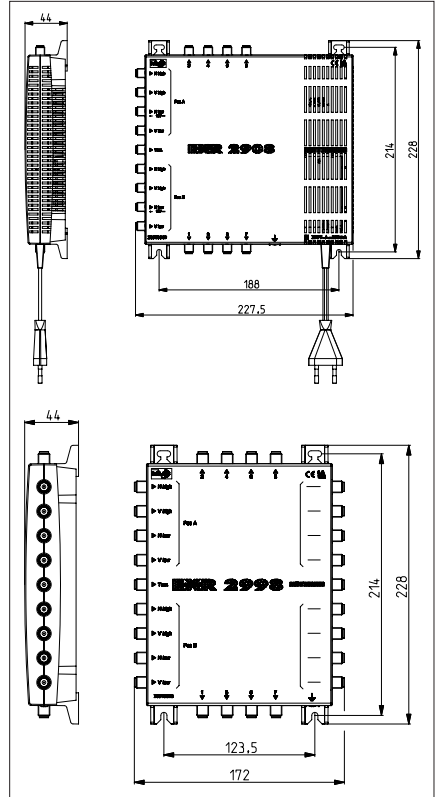
### Multi-switch

**EXR 2908**  
**EXR 2998**

20510019  
20510020



- Cascadable multi-switch for splitting 8 Sat levels and terrestrial signals to multiple receivers
  - Only one downlink per receiver needed (two for twin receivers)
  - Facility to select horizontal/vertical, low/high, Sat position A/ position B independently for each receiver using DiSEqC™ controls
  - If not using DiSEqC™ controls, changing the horizontal/ vertical, low/high of Sat position A can be performed, also by tone burst changing Sat position A/position B
  - Integral amplifier for low attenuation in Sat signal band
  - Integral pre-emphasis to equalise cable attenuation
  - Terrestrial signals also receivable with Sat receiver switched off
  - Terrestrial band: 5-862 MHz, passive
  - High degree of insulation between outputs
  - Can be remote fed via the horizontal low inputs. All other inputs are voltage-free (enabling operation with UAS 485)
  - For indoor mounting
- EXR 2908**
- Multi-switch for 8 connections, with integral power supply unit
  - Low power consumption based on high-efficiency short-circuit-proof switch-mode power supply unit
  - Can be extended using EXR 2998
- EXR 2998**
- Multi-switch loop-through for system extension with eight connections each
  - Highly cascadable (up to 40 connections)



### Settings for receivers with DiSEqC™

Setting	Effect
DiSEqC™ "On"	All inputs can be selected
22 kHz and tone burst to "Off"	Changeover time is shortened

### Settings for receivers without DiSEqC™

Setting	Effect
22 kHz → High/Low	All inputs position "A" can be selected
Tone Burst → Pos. A/B	All inputs position "A" and "B" can be selected

\*) The terms for the settings in the receiver menus are specific to the respective model and manufacturer!

## DiSEqC™ commands, e.g. for Kathrein measuring instrument MSK 25 or MSK 33

Reception range	Position A/satellite 1 (e.g. ASTRA)				Position B/satellite 2 (e.g. EUTELSAT)			
	Low band		High band		Low band		High band	
	Vertical	Horizontal	Vertical	Horizontal	Vertical	Horizontal	Vertical	Horizontal
Command	E2 10 38 F0	E2 10 38 F2	E2 10 38 F1	E2 10 38 F3	E2 10 38 F4	E2 10 38 F6	E2 10 38 F5	E2 10 38 F7

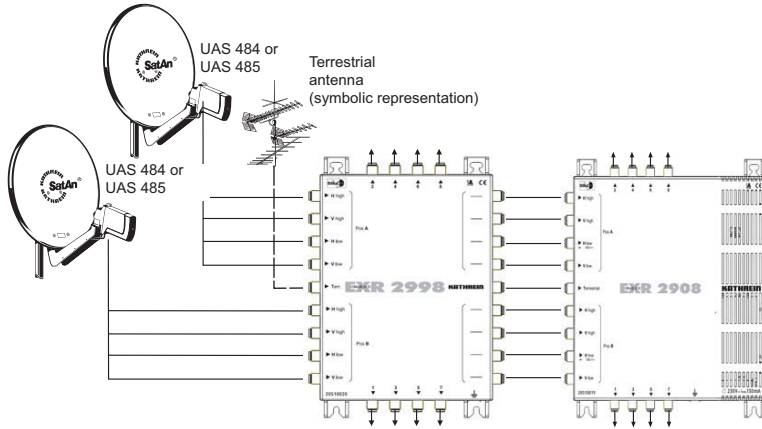
### Technical data

Type		EXR 2908		EXR 2998	
Order no.		20510019		20510020	
Subscriber connections		8		8	
Inputs		1 x terr.	8 x Sat-IF	1 x terr.	8 x Sat-IF
Frequency ranges	MHz	5-862	950-2150	5-862	950-2150
Through loss	dB	-	-	3.5	1-2.5 <sup>1)</sup>
Attenuation <sup>1)</sup>	dB	10-13	5-0	13-16	5-0
Horizontal/vertical isolation	dB	-	25	-	25
Subscriber isolation	dB	25	25	25	25
Max. output level <sup>2)</sup>	dBuV	-	109	-	109
Screening factor	dB	5-300 MHz > 85 300-470 MHz > 80 470-1000 MHz > 75 1000-2150 MHz > 55			
Control with DiSEqC™		Vert./horiz., low/high, pos. A/B			
Controls without DiSEqC™ - with 14/18 V and 0/22 kHz - with tone burst		Vert./horiz., low/high, (pos. A) Pos. A/B			
Current consumption per subscriber	mA	30			
Nominal input voltage	V	198-253		-	
Nominal input power (800/400 mA load)	W	18.1 / 10		-	
Secondary voltage <sup>3)</sup>	V	18		-	
Max. total remote feed current <sup>3)</sup>	mA	800		-	
Max. remote feed current per trunk	mA	-		1000	
Protection class/protection type		II (totally insulated)/IP 30		IP 30	
Permissible ambient temperature	°C	- 20 to + 55		- 20 to + 55	
Connections		F-connectors		F-connectors	
Dimensions (W x H x D)	mm	227 x 228 x 44		172 x 228 x 44	
Packing unit/Weight	units/kg	1 (10)/1.0		1 (10)/0.85	

<sup>1)</sup> Frequency-dependent attenuation

<sup>2)</sup> SAT to EN 50083-3, 35-dB-IMA

<sup>3)</sup> Via horizontal low inputs



### Installation and safety instructions



- The equipment described is designed solely for the installation of satellite receiver systems.
- Any other use, or failure to comply with these instructions, will result in voiding of warranty cover.
- The equipment may only be installed in dry indoor areas. Do not mount on or against highly combustible materials.
- The equipment must be provided with an earthing wire (Cu, at least 4 mm<sup>2</sup>).
- The safety regulations set out in the current EN 60728-11 and EN 60065 standards must be complied with.
- Fixings: Wood screws, max Ø: 4.5 mm
- Connector: HF plug 75 Ω (series F) to EN 61169-24.
- **Unused subscriber ports should be closed off by 75 Ω resistors (e.g. EMK 03).**



#### Current-carrying unit

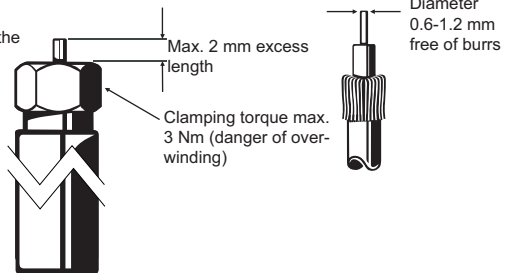
- Do not open or tamper with the unit!
- When working on the system always unplug the mains plug from the wall socket!
- Ensure adequate clearance! Min. 5 cm to all sides!
- Do not install overhead.
- Free circulation of air must be possible to discharge the heat emitted by the unit.  
Risk of overheating!
- Permissible ambient temperature -20 to +55°C

#### Important:

- No liquid-filled items may be placed on top of the power supply unit.
- The power supply unit must not be exposed to dripping or splashing water.
- The mains plug must be easily accessible and operable.
- The only reliable method of disconnecting the unit from the mains is to unplug it.



- If the inner cable conductor diameter is greater than 1.2 mm or in case of burr, the device sockets may be destroyed.



Electronic equipment *is not household waste* - in accordance with directive 2002/96/EC OF THE EUROPEAN PARLIAMENT AND THE COUNCIL dated 27<sup>th</sup> January 2003 on used electrical and electronic equipment, it must be disposed of properly.

At the end of its service life, take this unit for disposal to an appropriate official collection point.