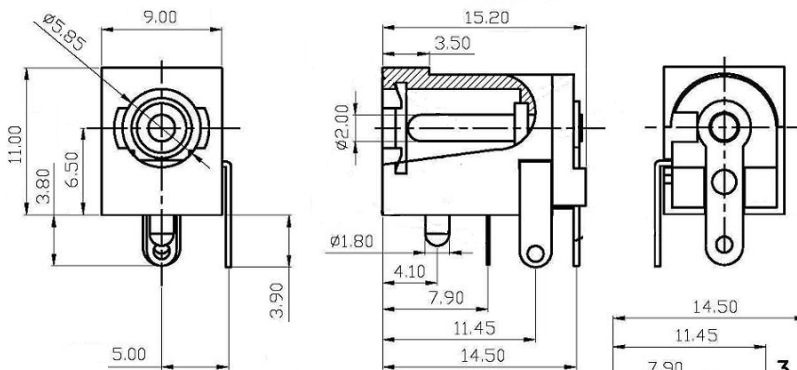
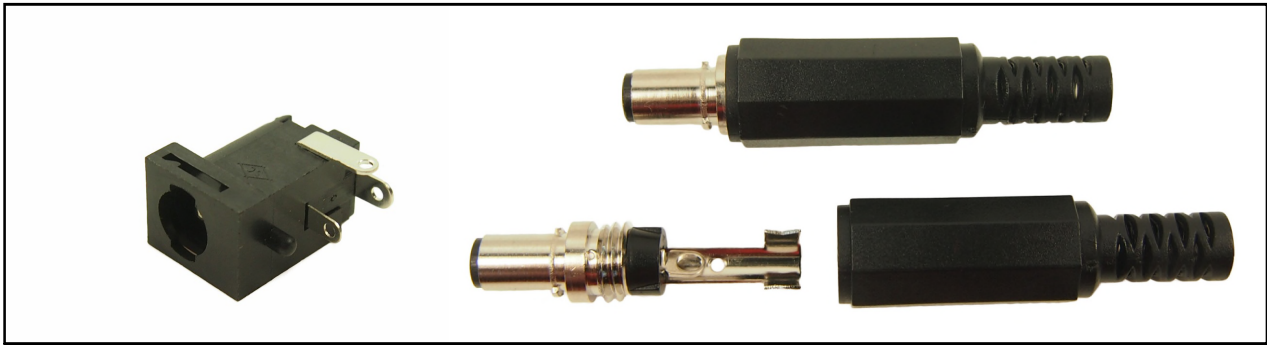


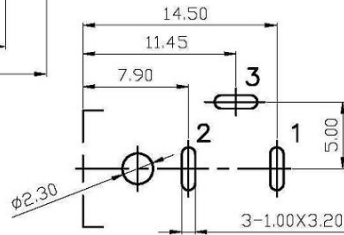
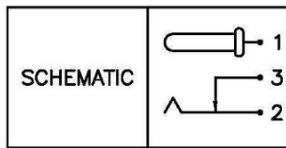
CLIFF

LOCKING DC PLUG & SOCKET

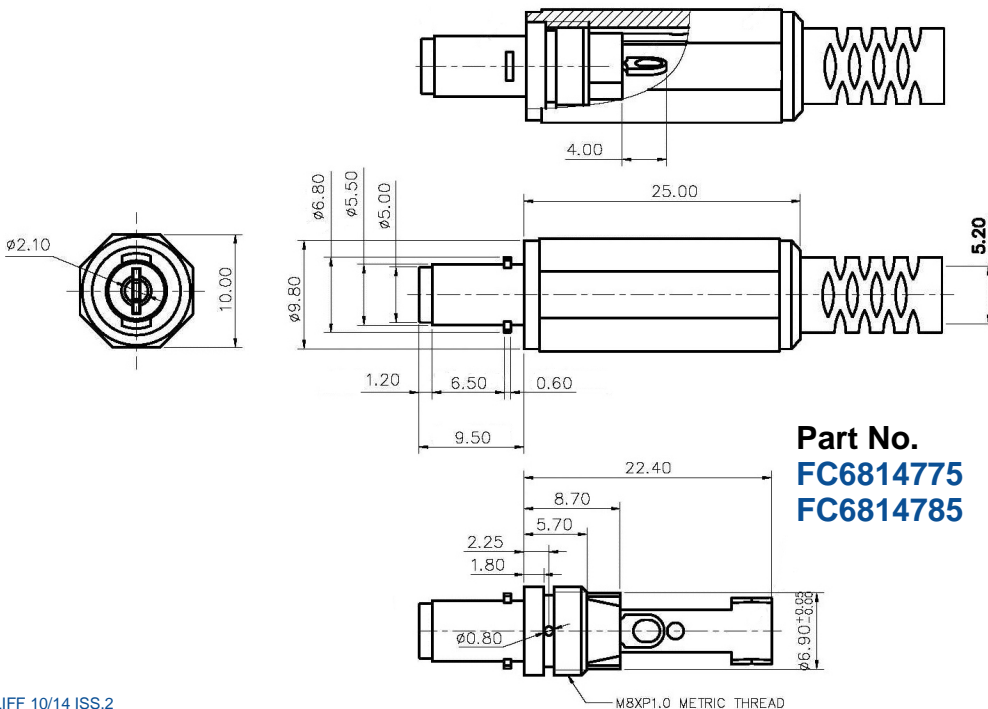


Part No.
FC681477
FC681478

Description
 Locking DC Socket \varnothing 2.5mm
 Locking DC Socket \varnothing 2.1mm



Pin Hole Layout
 (Jack Bottom View)



Part No.
FC6814775
FC6814785

Description
 Rewireable Locking DC Plug \varnothing 2.5mm
 Rewireable Locking DC Plug \varnothing 2.1mm