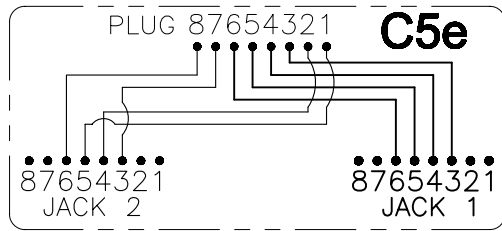
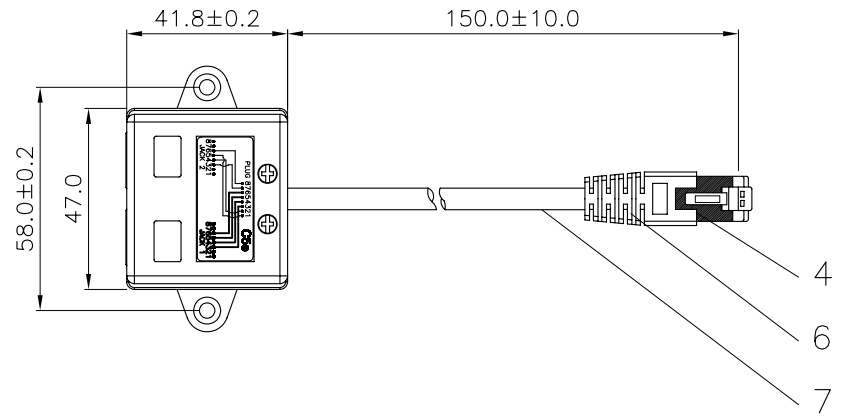
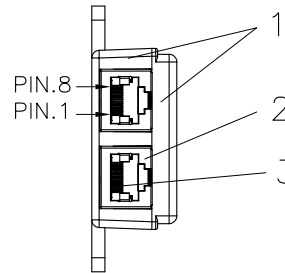


### Wiring information



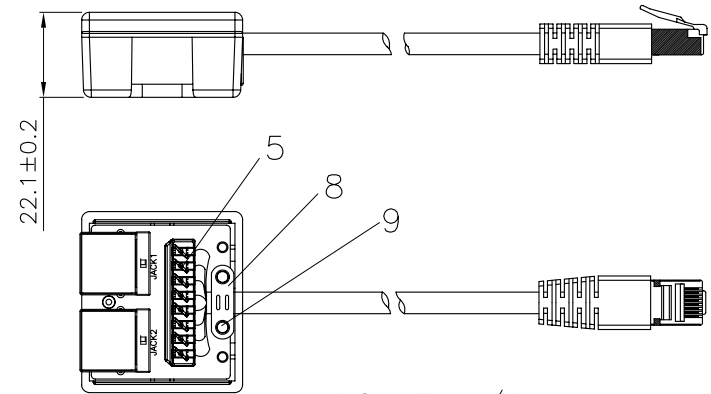
SCALE 2/1



### Specification :

#### Material :

1. Plastic Housing : ABS, UL 94-HB, with plating Nickel.
2. RJ45 Jack :
  - 2-1. Housing : PBT+Glass Fiber, UL 94V-0.
  - 2-2. Contact Bracket : PBT+Glass Fiber, UL 94V-0.
  - 2-3. RJ45 Jack Shield : Bronze with Nickel plated.
3. RJ45 Jack Contact :
  - 3-1. Material : Phosphor Bronze with Nickel plated.
  - 3-2. Finish : 50 micro-inch Gold plated on Plug contact area.
4. RJ45 Plug :
  - 4-1. (JE P/N PRS8850-F) PC, UL 94V-2, Transparent color.
  - 4-2. Shield : Bronze with Nickel plated.
  - 4-3. Contact Terminal : Phosphor Bronze with 50 micro-inch Gold plated.
5. IDC :
  - 5-1. Housing : PC+Glass Fiber, UL 94V-2.
  - 5-2. Terminal : Phosphor Bronze with Tin plated.
6. Assembly Type : Normal Molded, white PVC.
7. Cable Type : (FTP)Foil Shielded Twisted Pair, 26 AWG Stranded Conductor.
8. Cable Chip : SPCC with Nickel Plated.
9. Screw : Steel with Nickel Plated.
10. PCB : FR4, UL 94V-0.



SCALE 1/2

### Performance :

- a. Insertion force : 30N max. (IEC 60603-7-5)
  - b. Retention strength : 7.7 kg between Jack and Plug.
  - c. Operating temperature : -10°C to 60°C .(ISO/IEC 11801, ANSI/TIA/EIA 568 B.2)
- d. Life(mating cycles) :
- \* Jack : 750 cycles min. (ISO/IEC 11801, IEC 60603-7-5)

GENERAL TOLERANCE OF DIMENSIONS X.XXX ±0.005 X.XX ±0.05 X.X ±0.1	DRAWING	27.SEP.2010	QIQI	<p>we move the world</p>
	CHECK	27.SEP.2010	JANE	
	APPROVAL	27.SEP.2010	JAIMY	
		DATE	NAME	ITEM NO.:
SCALE	1/2 (A4)	UNIT	mm	DES.: CAT.5E MODULAR "Y" WIRING ADAPTOR
	DRAWING NO.			
	DRAWING CLASSIFICATION	S	SHEET 1 OF 1	