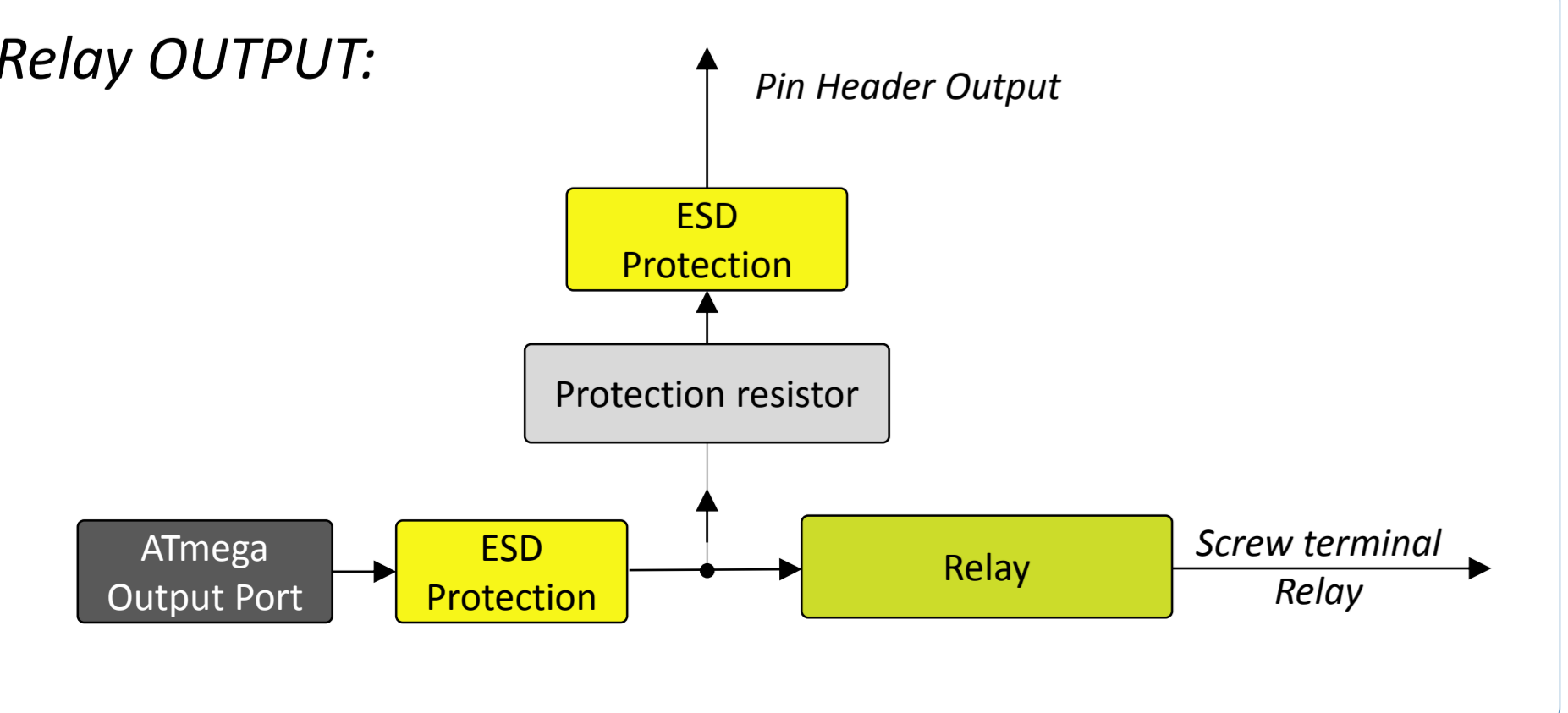
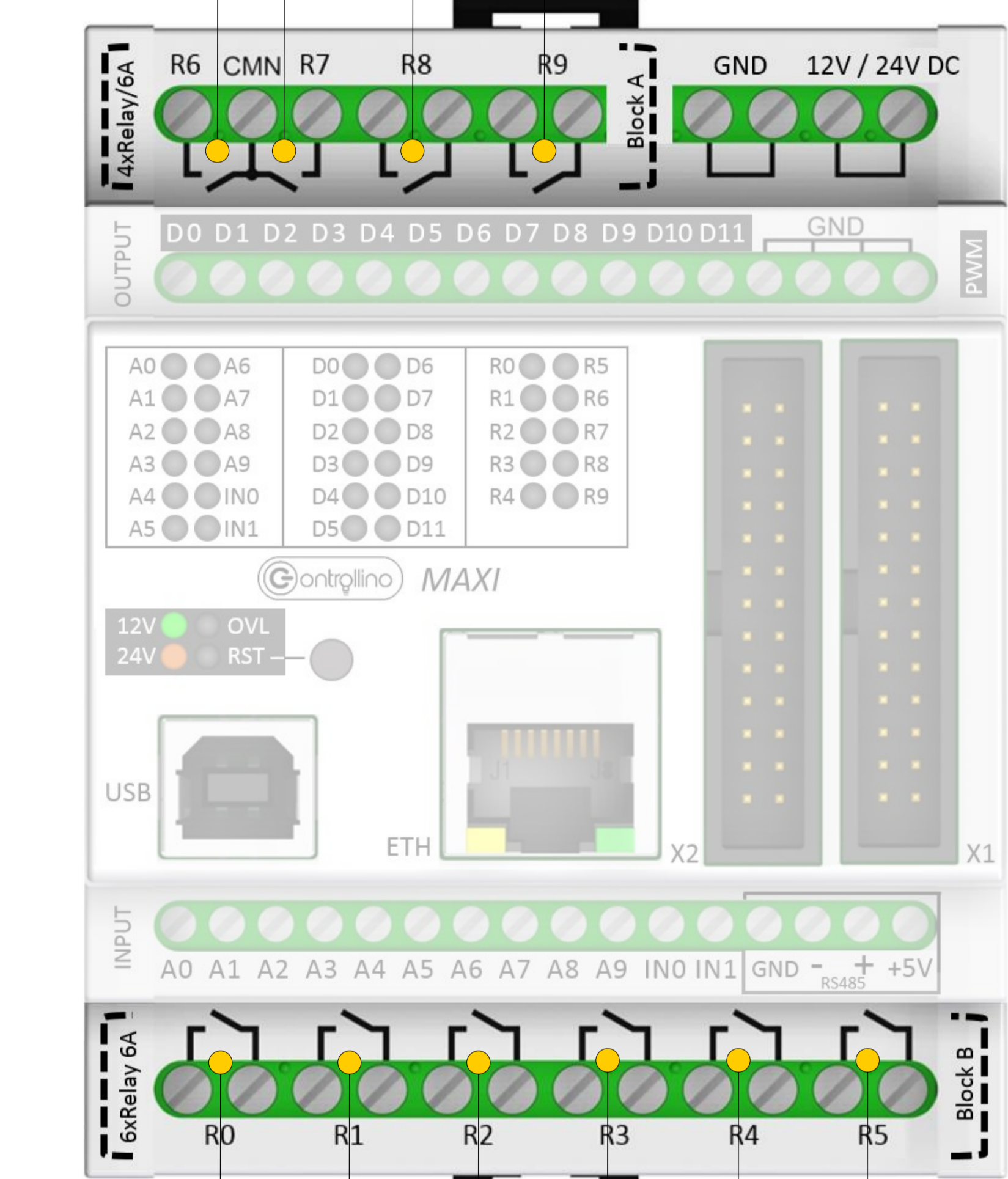
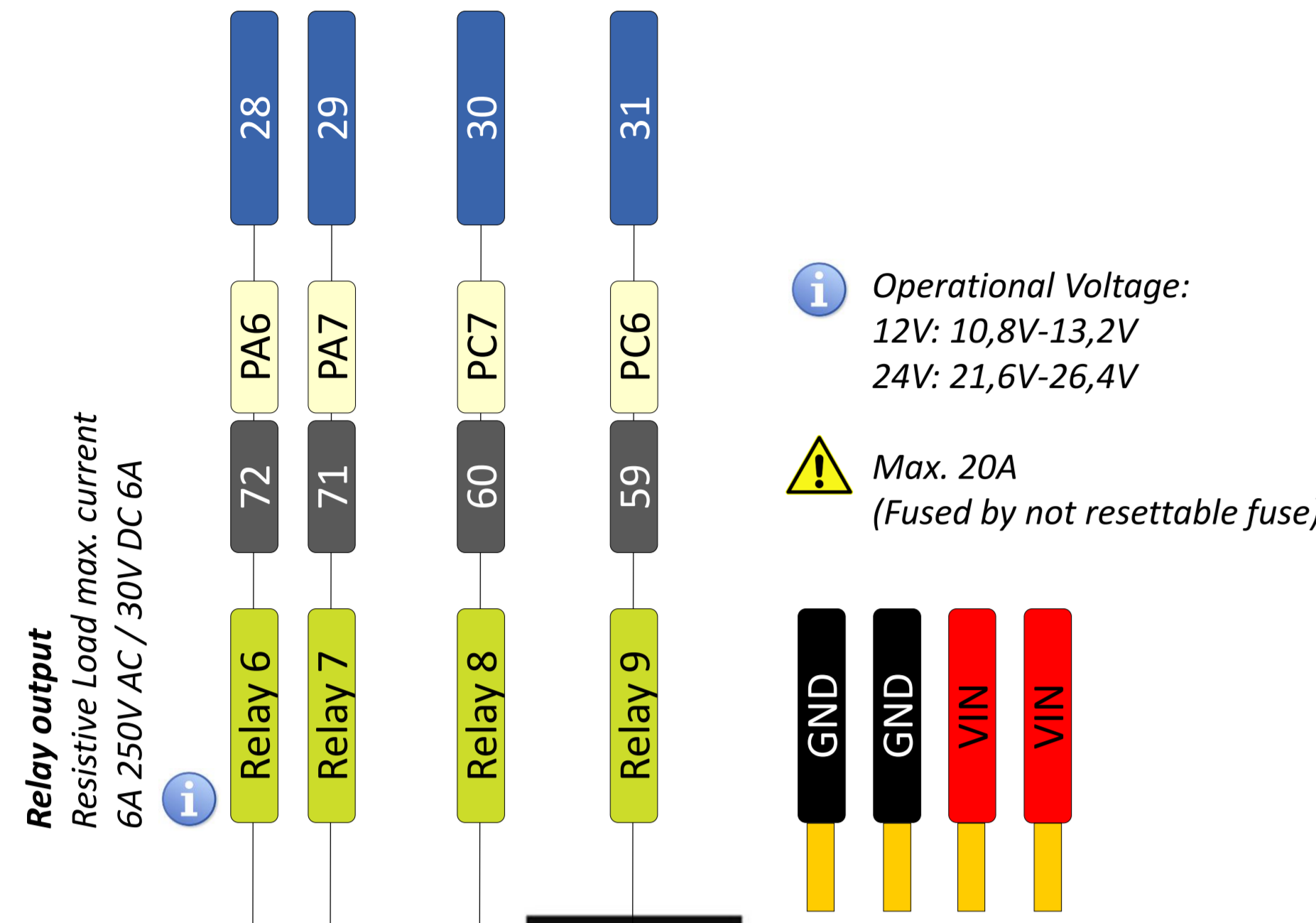
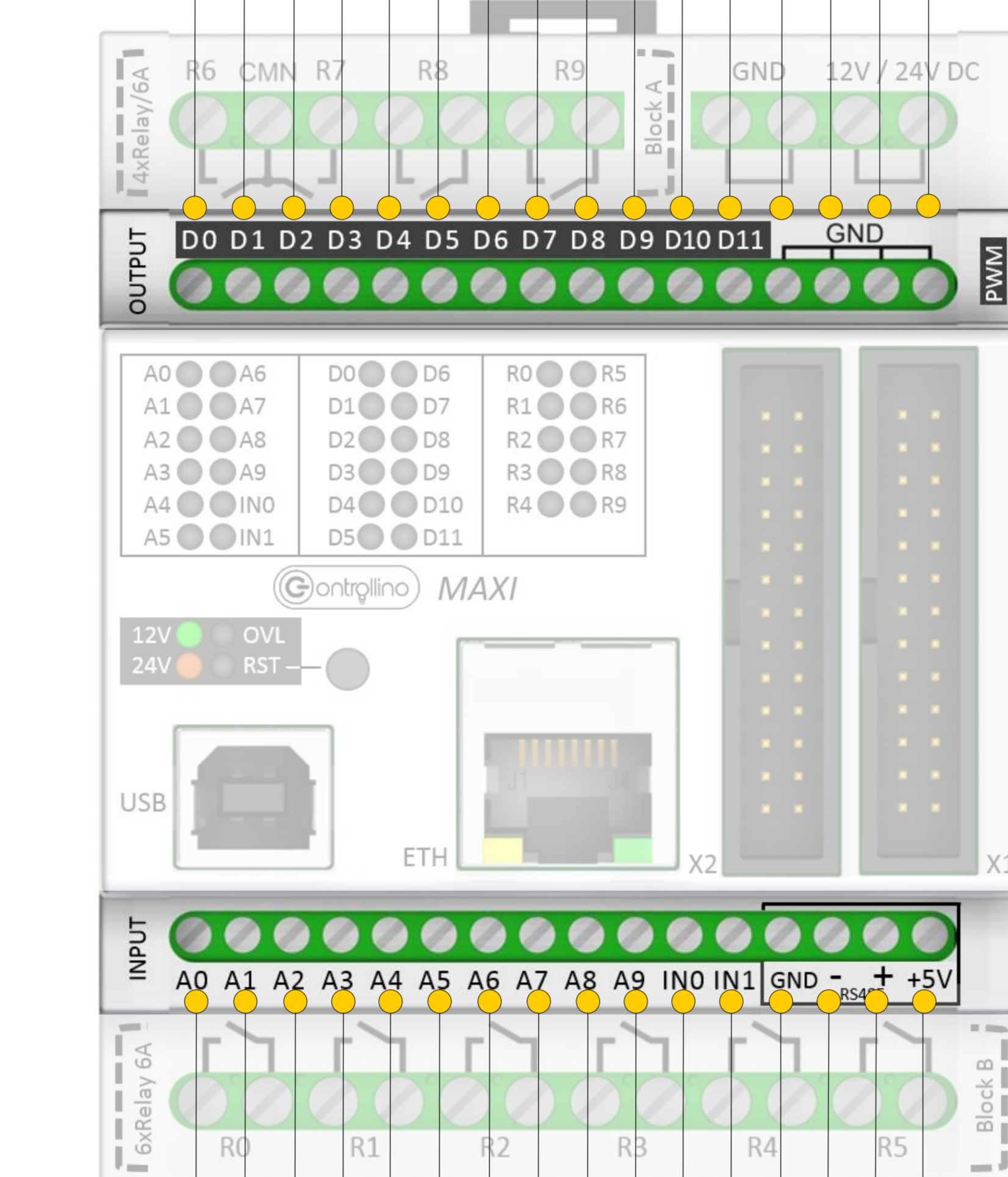
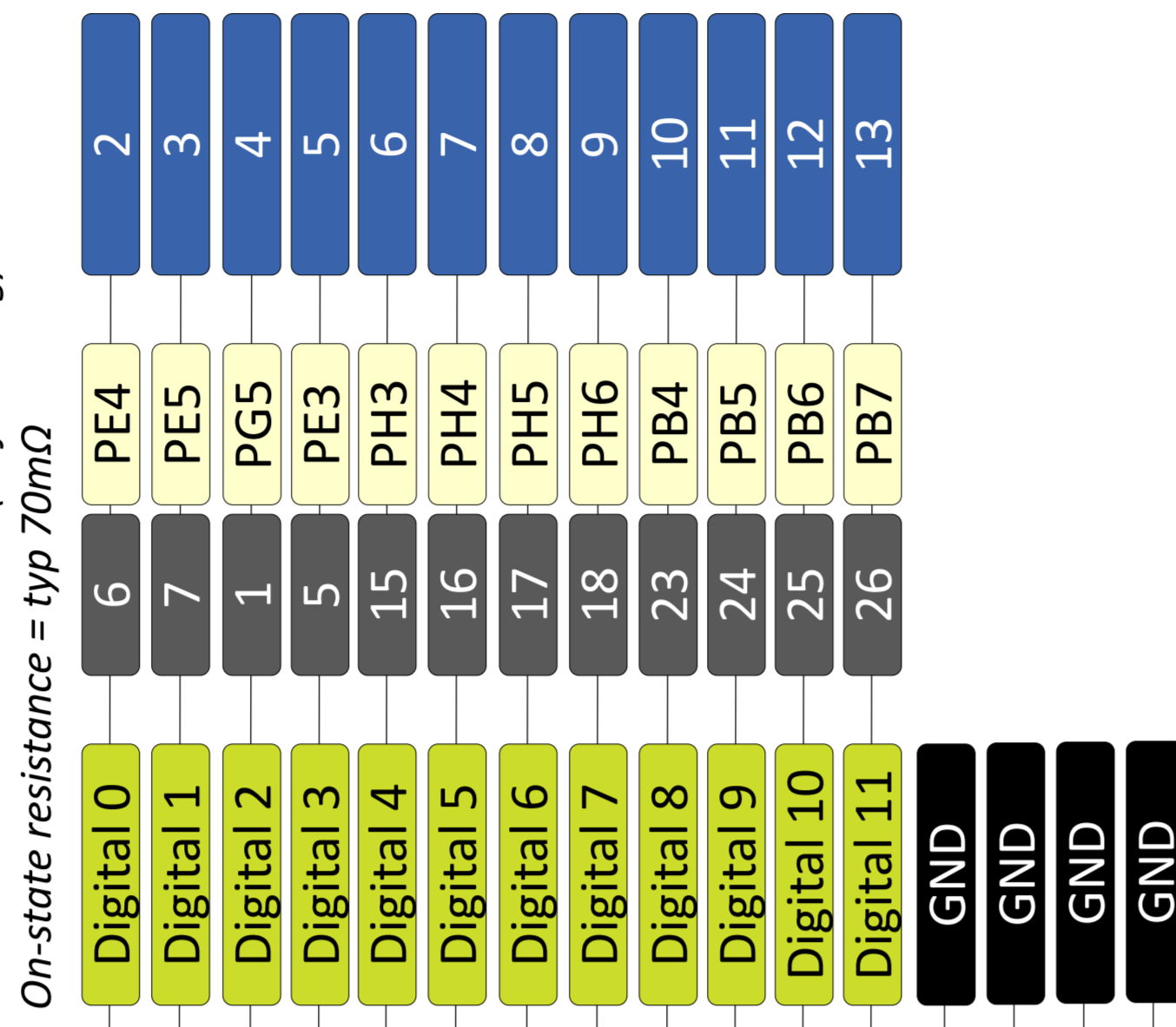




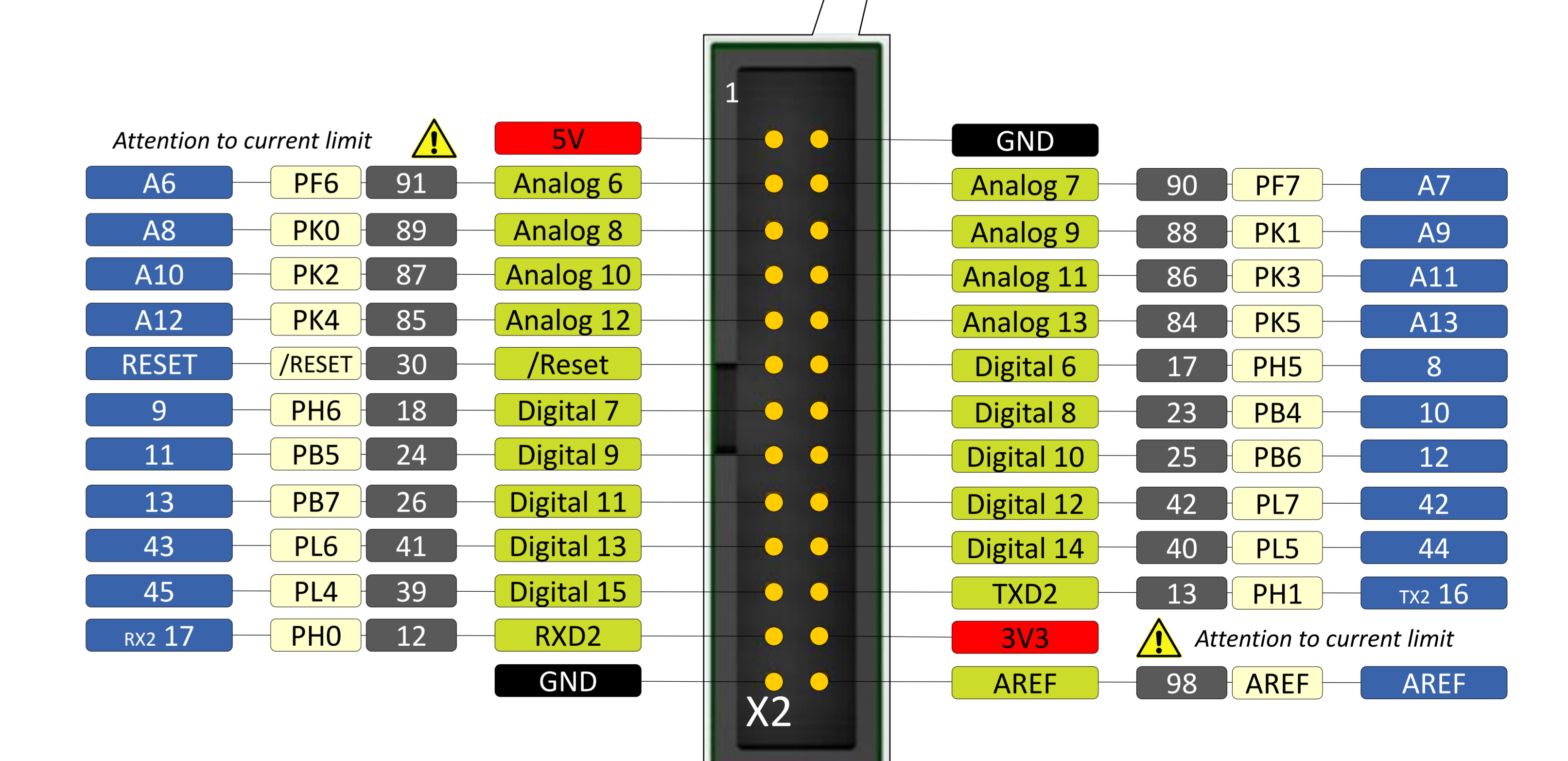
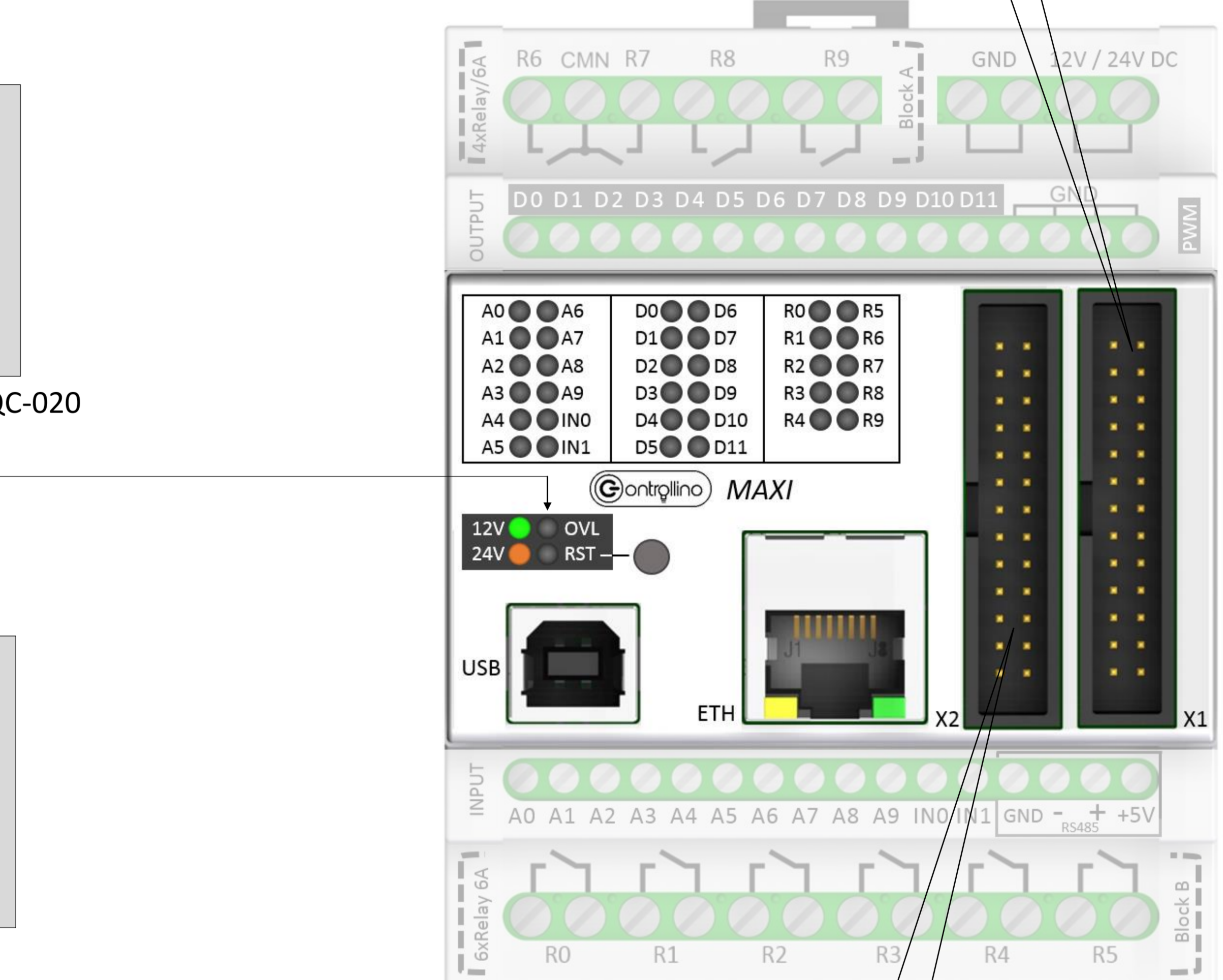
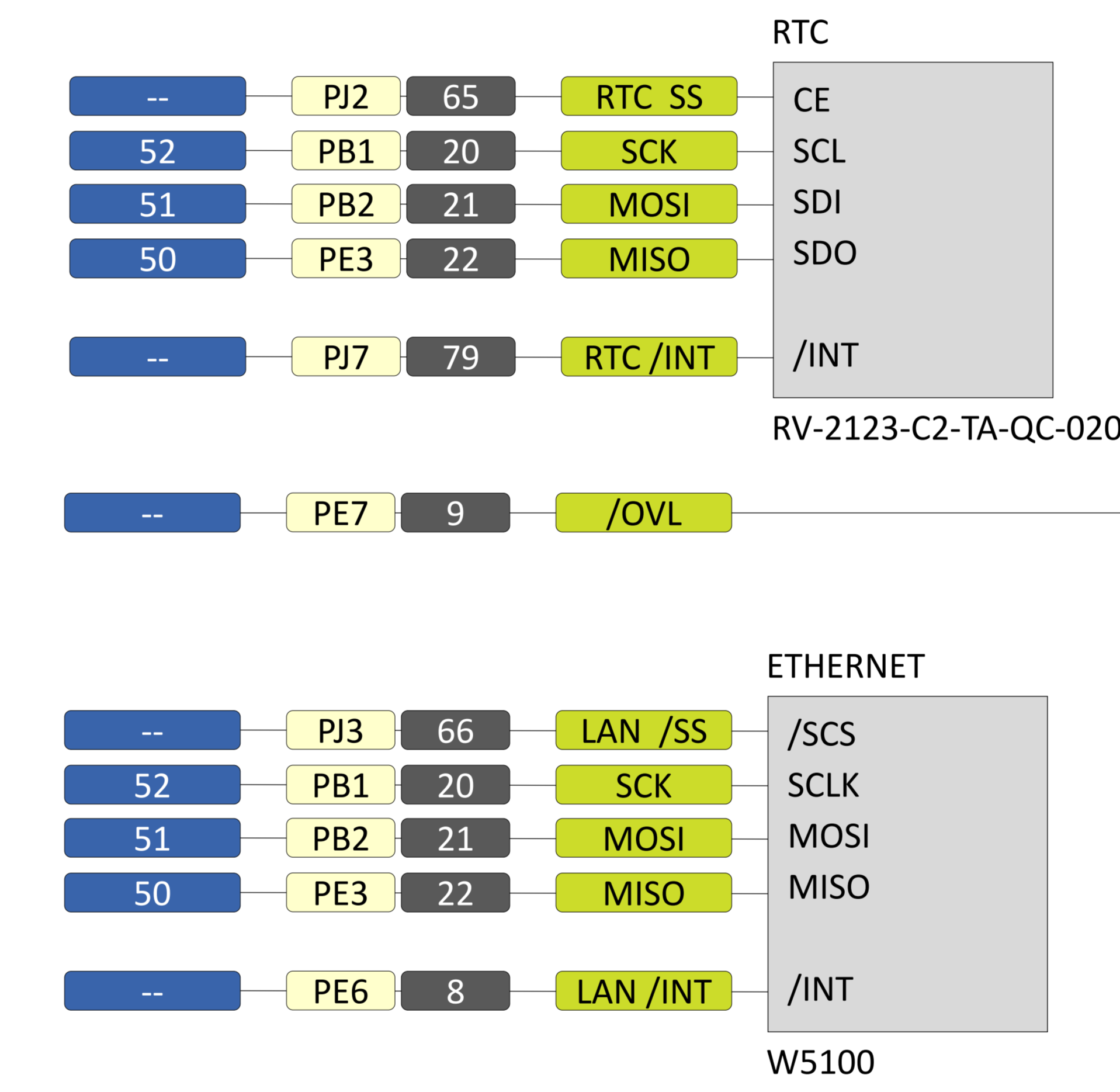
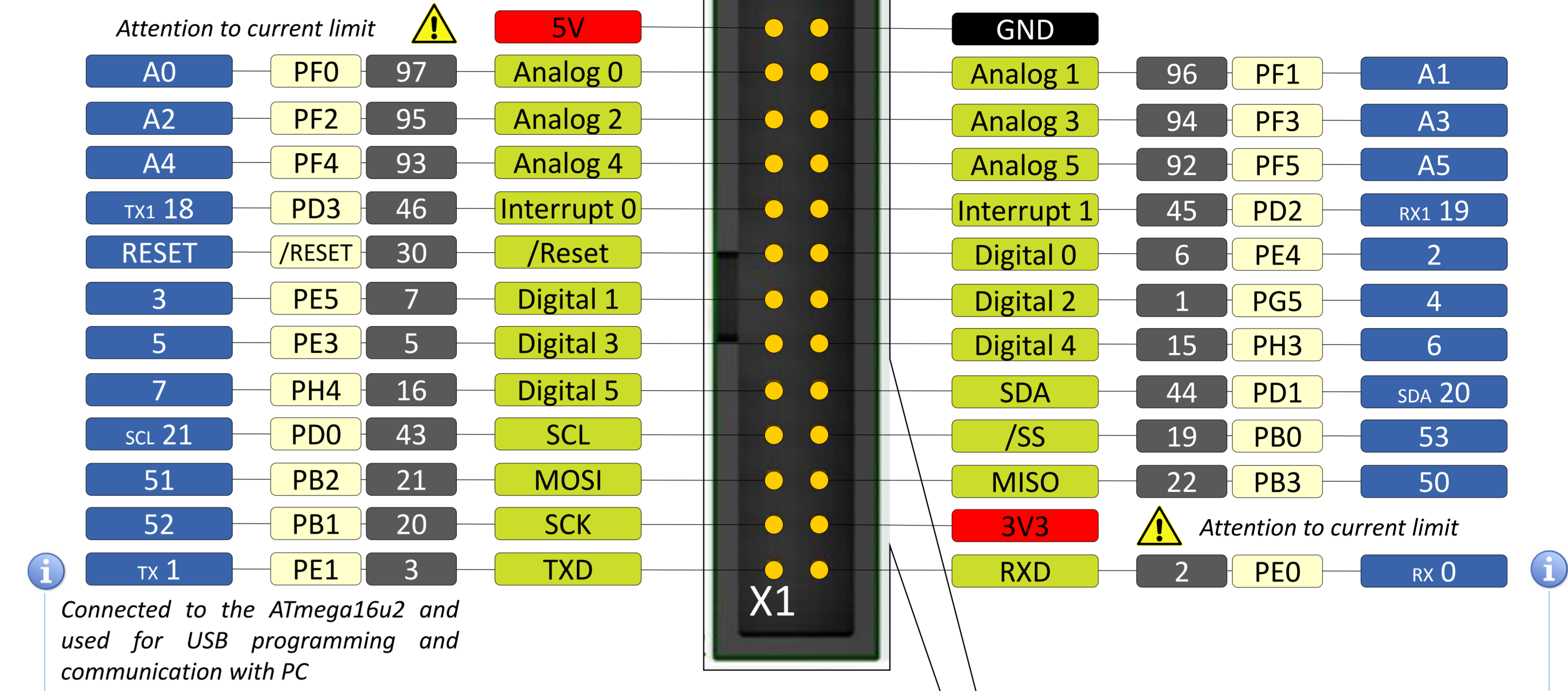
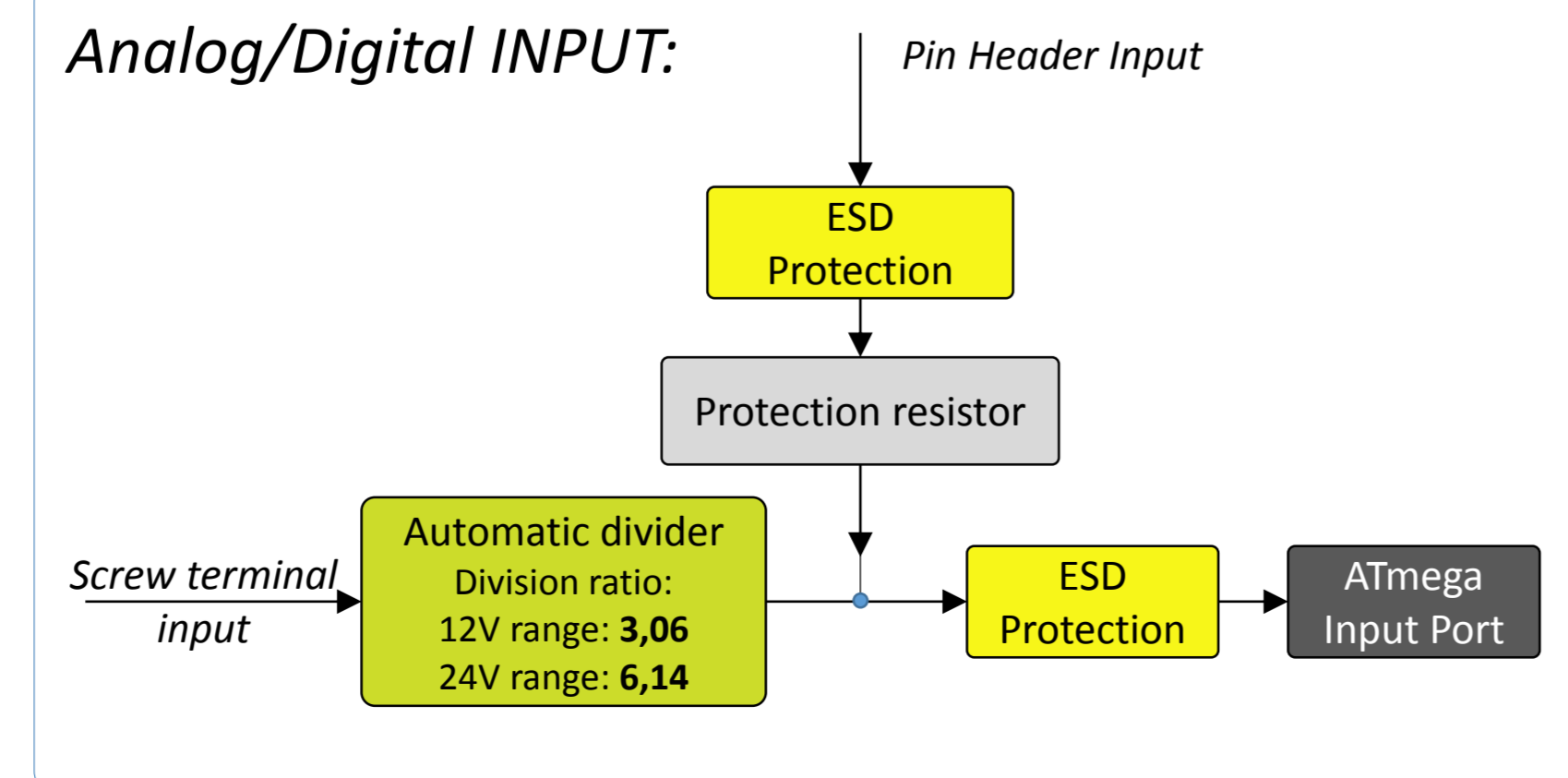
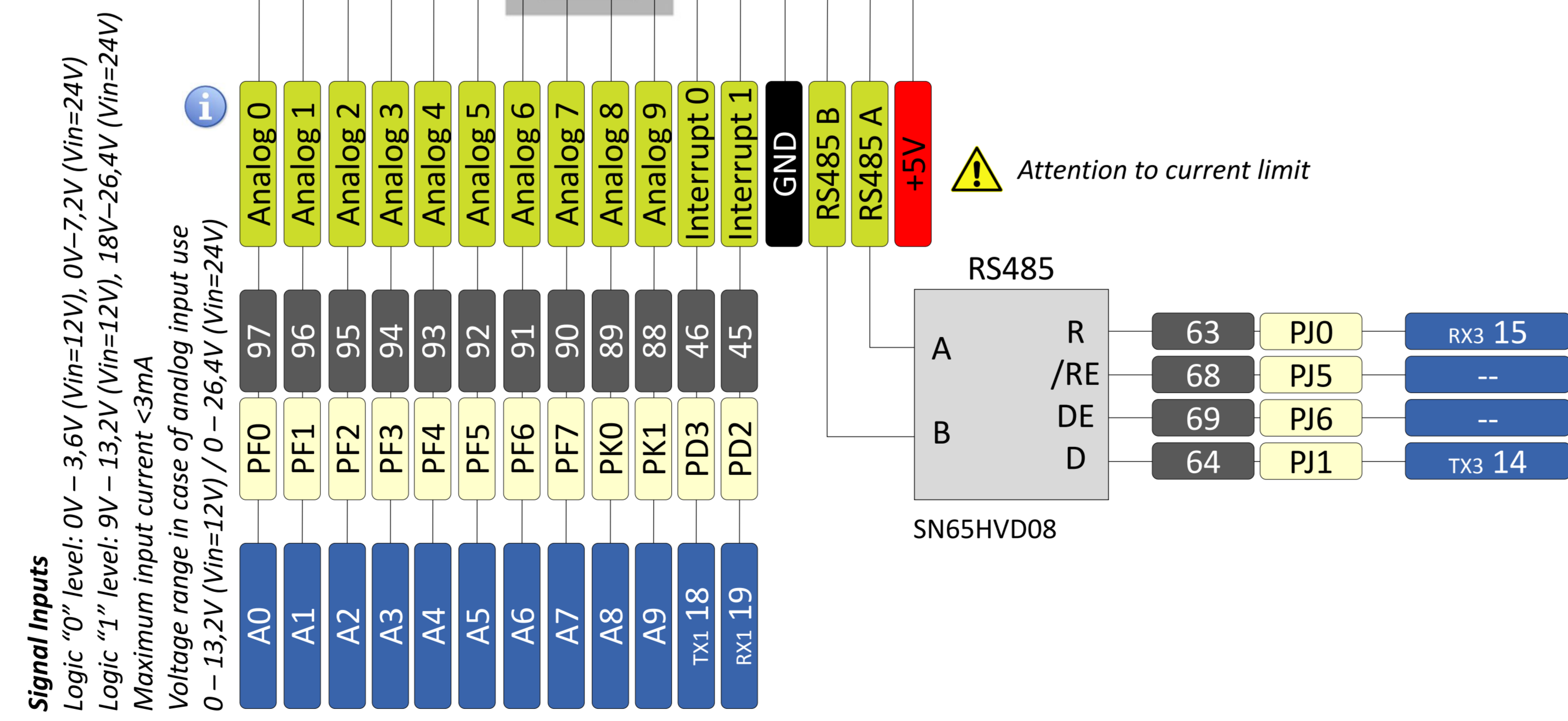
# MAXI PINOUT V1.0



**12 x HIGH CURRENT High Side Switch**  
Nominal load current = 2A (self limiting)  
On-state resistance = typ 70mΩ



**Signal Inputs**  
Logic "0" level: 0V - 3,6V (Vin=12V), 0V - 7,2V (Vin=24V)  
Logic "1" level: 9V - 13,2V (Vin=12V), 18V - 26,4V (Vin=24V)  
Maximum input current < 3mA  
Voltage range in case of analog input use  
0 - 13,2V (Vin=12V) / 0 - 26,4V (Vin=24V)



**Pin Header current limit:**  
Absolute max per pin 40mA  
recommended 20mA  
Absolute max 200mA  
for entire Pin Header  
Current limit @5V + 3V3 max  
200mA (Fused by resettable fuse)  
Current limit @3V3 only 150mA  
All signals are protected with serial  
resistance

**Legend**

- GND
- POWER
- CONTROLLINO Function
- PHYSICAL PIN
- PORT PIN
- ARDUINO Mega Board

General Information

Pay attention

CHIP used ATmega 2560-16AU