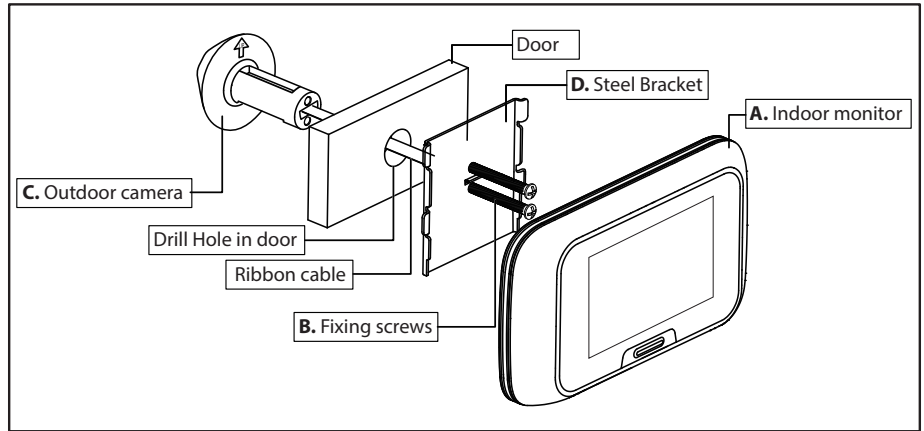


Smart Peephole Viewer/ Visual Doorbell User Manual

Package & Accessories

Included	Quantity	Mark	Remark
Indoor Monitor	1	A	Indoor monitor with LCD screen
Screw	4	B	Two pairs depending on thickness of the door
Outdoor Camera	1	C	The ribbon cable will go through Peephole to connect indoor Part
Steel Bracket	1	D	Use screw to fix the steel bracket with Outdoor part
User Manual	1		

You will need



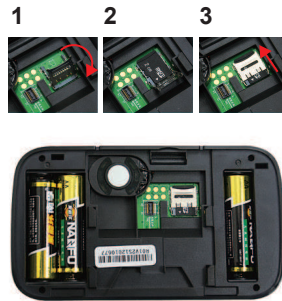
01 Installation



Either remove your current door viewer or drill a new hole at least 12mm diameter up to 28mm diameter into your door in a suitable position to view the visitor.

N.B. Always test the product before installation.

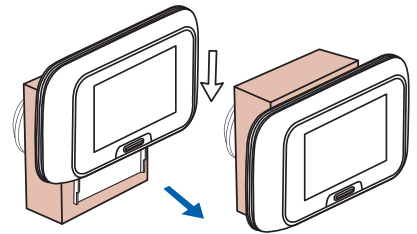
04



Open the battery cover of the indoor monitor (A) and insert the Micro SD card. Then insert 3x AA batteries making sure they are inserted correctly.

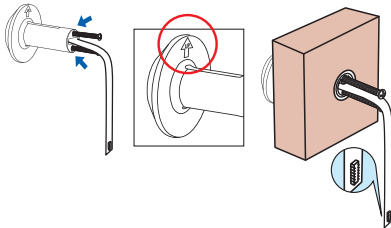
N.B. Please install the Micro-SD card before inserting the batteries.

07



Taking extra care with the ribbon cable gently push the indoor monitor (A) back onto the steel bracket (D) and slide down to lock into position.

02



Insert your selected screws (B) according to your door thickness into the Outdoor camera (C) but do not fully tighten.

Push the door viewer (C) into position making sure the ribbon cable is pushed through first and the up arrow on the back of the camera is facing up.

05



Connect the ribbon cable by pushing it onto the connection, you will feel a "Click" as it locks onto the circuit board. Make sure the cable is fitted the correct way around as shown in the image.

In more detail...

Technical Specifications

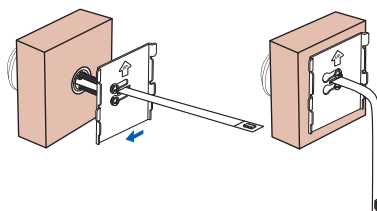
Indoor-part Dimension: 136x75x18mm
 Outdoor-part Dimension: 30x30x7mm
 Door hole range: 12mm-28mm
 Door thickness range: 35mm-90mm
 Battery: 3x 1.5v AA (LR6) Not included
 Battery life: 3 months (based on 10 operations per day)

Notes

We recommend that good quality, branded, alkaline batteries are used.
 Do not leave the product on uneven or unstable surfaces to prevent damage caused by falling.
 Try to avoid placing the product on high-temperature surfaces, high humidity or a lot of dust, salt spray and other harsh environments as this may reduce the lifespan of the product.
 Take care with the ribbon cable on the door viewer to avoid damage.

CE Conforms to all relevant European Directives.

03



Using the steel bracket (D), make sure the up arrow is facing up and push the ribbon cable through the slot. Then allow the screws to push through the holes so the steel bracket becomes flush with the door.

Tighten the screws to fix the steel bracket and Outdoor camera into position.

06



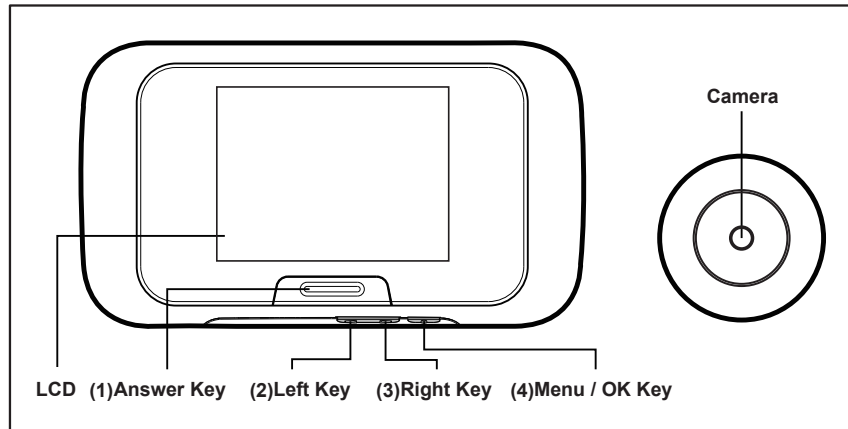
Clip the battery cover back on, the ribbon cable will fit in a small opening allowing it to come through the cover.

smartwares safety & lighting BV. Jules Verneweg 87 5015 BH Tilburg The Netherlands service.smartwares.eu	NL: 0900-2088888	Lokaal tarief
	BE: 070-233031	Lokaal tarief
	: 0800-97570	Gratuit
	FR: 0825 560 650	15ct/min
	DE: +49 (0) 1805 010762	14Ct./Min. dt. Festnetz, Mobil max. 42Ct./Min
UK: +44 (0) 345 230 1231		
ES: +34 938427589		

Recycling

This symbol is known as the 'Crossed-out Wheeelin Bin Symbol'. When this symbol is marked on a product or battery, it means that it should not be disposed of with your general household waste. Some chemicals contained within electrical/electronic products or batteries can be harmful to health and the environment. Only dispose of electrical/electronic/battery items in separate collection schemes, which cater for the recovery and recycling of materials contained within. Your co-operation is vital to ensure the success of these schemes and for the protection of the environment.



**Smart Peephole Viewer/
Visual Doorbell User Manual**

How to use
Main operation:

In order to operate the unit to view a visitor press the Answer key (1) and the screen will display the camera image. After 10 seconds of no activity the screen will turn off. Should you want to record an image or video of the visitor press the Answer key (1) to display the camera and the Answer key (1) again to begin recording.

Menu settings:

For all menu options use the LEFT (2) & Right (3) keys to scroll through the options and use the Menu/OK key (4) to select any option. To exit the menus press the Answer Key (1). Press the Menu/OK key (4) to enter the menu screen (opposite):


System Features

View images / recordings:

Press the Menu/OK key (4) to enter recording menu. The date of recording will be displayed and press the Menu/OK key (4) to enter the day and a list of stored images / recordings. Use the left (2) and right (3) keys to scroll through the list and press the Menu/OK key (4) to display the image / recording.

To delete an image / recording:

Press the Menu/OK key (4) to enter recording menu. The date of recording will be displayed and press the Menu/OK key (4) to enter the day and a list of stored images / recordings. Use the left (2) and right (3) keys to scroll through the list and HOLD the Menu/OK key for 5 seconds and "Delete" will appear, press the Menu/OK button again to delete.


System settings:

Press the Right key (3) to highlight system setting and press the Menu/OK key (4). Use the Left (2) right (3) keys to scroll through the menu using the Menu/OK key (4) to enter each section:

- Date & Time – Adjust the date and time that will show on images and recordings
- Language - Adjust the language of the device
- Recording mode – Select between images or recordings of the visitor
- LCD Brightness - Adjust the screen brightness (higher uses more battery power)
- Video Recording Time – Adjust the amount of time to record the visitor 3, 5 or 10 seconds
- Backlight time - Adjust how long to keep the screen on for 5, 10, 15 or 20 seconds
- Format Micro SD Card – Erase all data from the Micro SD Card
- Restore Factory settings - Restore the device to factory settings

User Guide & Trouble Shooting

User Guide:

Press the Right key (3) to highlight User Guide and press the Menu/OK key (4) to Show the system information.

Troubleshooting:

- Q. My unit does not power up / show anything on the screen when I press the buttons
A. Please check the batteries, make sure they are good quality and are inserted correctly.
- Q. My unit randomly powers on/off
A. Please replace the batteries
- Q. Unit displays "Insert Memory Card" when trying to take an image or recording
A. Make sure the Micro SD Card is inserted correctly, remove the batteries, remove and re insert the Micro SD card and re insert the batteries
- Q. Unit displays "Camera Module not Ready"
A. Make sure the ribbon cable is connected correctly to the Indoor monitor (See step 5 installation)

Safety Information
Safety

- The ventilation should not be impeded by covering the ventilation openings with items, such as newspapers, tablecloths, curtains, etc...
- DO NOT allow this product to come into direct contact with heat or a naked flame.
- The normal operation of the product may be disturbed by strong electromagnetic interference.
- This equipment is intended for domestic use only.
- The appliance shall not be exposed to dripping or splashing.
- No objects filled with liquids, such as vases, shall be placed on the appliance.
- Keep a minimum distance of 10 cm around the product for sufficient ventilation.
- Ensure the bell push is not mounted where it could become immersed by water/rain.
- DO NOT allow children to play with this appliance.

Battery Warnings

- An adult must carry out battery replacement and installation.
- Remove exhausted batteries from this product.
- DO NOT dispose of batteries in a fire, batteries may explode or leak.
- DO NOT short-circuit the battery terminals.
- DO NOT mix used and new batteries.
- DO NOT mix alkaline standard (carbon-zinc), lithium or rechargeable batteries.
- DO NOT use rechargeable batteries in this product.
- DO NOT recharge non-rechargeable batteries.
- DO NOT allow any part to come in contact with heat or a direct flame.
- DO NOT allow water to come into contact with the batteries or wiring.
- Install carefully to prevent any damage to the batteries
- When installing batteries in the battery compartments, ensure the batteries are placed as marked (+)(-).
- Only the recommended batteries should be used.
- Remove batteries from product when not in use for long periods of time.
- Keep this product out of the reach of small children.
- Store unused batteries in their original packaging.
- Dispose of used batteries responsibly.