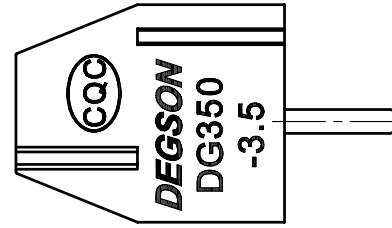
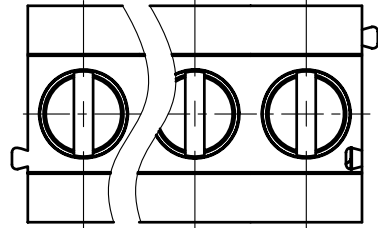
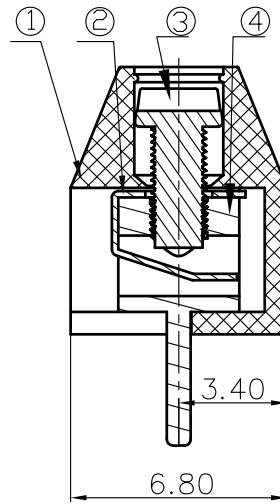
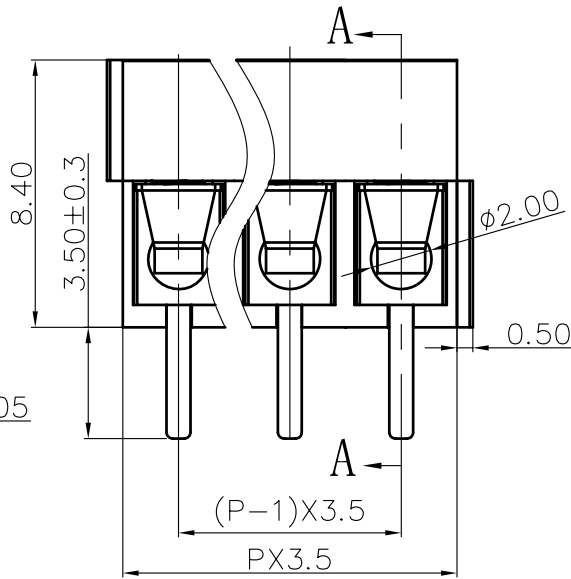
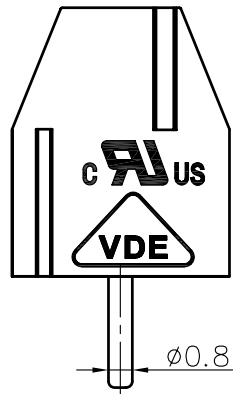


REVISION RECORD				
REV	ECN	DESCRIPTION	DRFT	DATE

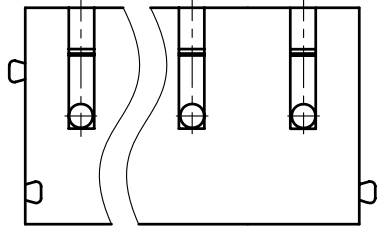


- NOTES:
- 1.DIMENSION SHALL BE INTERPRETED PER ASME Y14.5-2009.
 - 2.PITCH: 3.5MM
 - 3.RATED VOLTAGE/CURRENT:UL 300V/7A
VDE 130V/10A
 - 4.OPERATION TEMPERATURES: -40°C~ +105°C
 - 5.WITHSTANDING VOLTAGE: AC1500V/1MIN
 - 6.INSULATION RESISTANCE: 5000M Ω/DC1000V
 - 7.WIRE RANGE: 24-18AWG,1.0MM²
 - 8.MAX.TORQUE VALUE: 2.04KGF.CM
 - 9.UNDIMENSIONED TOLERANCES:



SECTION A-A

Pitch range in mm		Nominal dimension range in mm						—
	over 6	over 10		over 30	over 60	over 100	over 150	∩
to 6	to 10	to 24	to 30	to 60	to 100	to 150		□
±0.10	±0.15	±0.25	±0.2	±0.3	±0.5	±0.7	±1.0	0.05/10



4	DG350(A)Pin header	4017B00010(H)	XX	Brass	SnCe
3	DG350 M2"---Screws	S000001400(H)	XX	Steel	Cr ³⁺ Zn
2	DG350 Spring	X000000290(H)	XX	Phosphor bronze	Ni plated
1	DG350-3.5-Housing	4017A0YXXA(H)	1	PA66	UL94V-0
ITEM	NAME OF PART	NO. OF PART	Q"TY	MATERIAL	NOTES

MM (INCH)		MATERIAL:			
TOLERANCES EXCEPT AS NOTED		FINISH:			
.X ±	.X' ±	PART NO.:		NAME:	
.XX ±	.XX' ±			DG350-3.5-XXP-1Y-00A(H)	
.XXX ±	.XXX' ±				
ANGLES ± 1°		APPD:	TITLE: ASSEMBLY DRAWING		REV
THIRD ANGLE PROJECTION		CHKD:	DRAWING NO.: DG350-3.5-E01		T3
		DRFT: Haoyh 04/18/05	DO NOT SCALE DRAWING	SCALE	SHEET
			N/A	1/1	