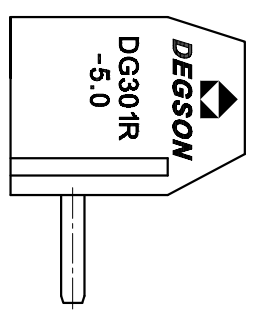
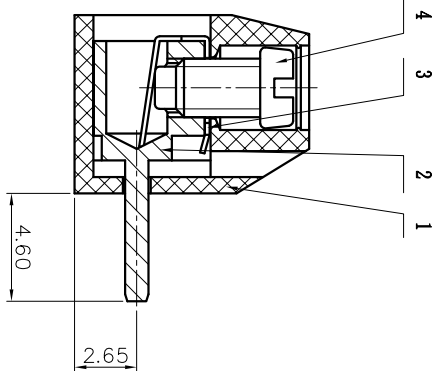
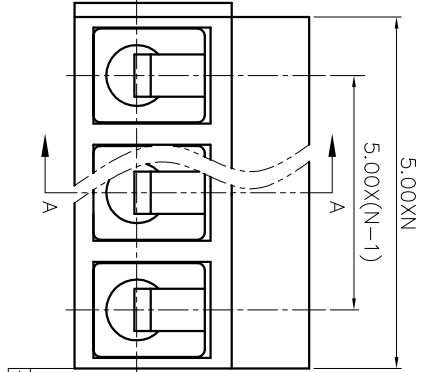
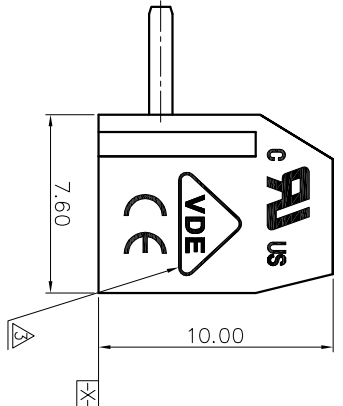
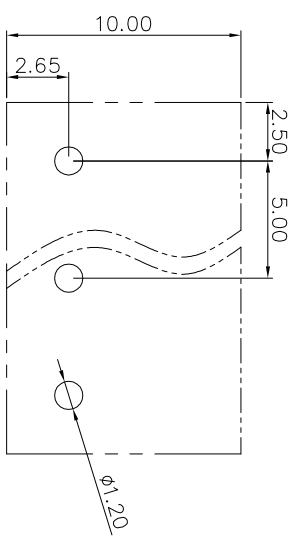
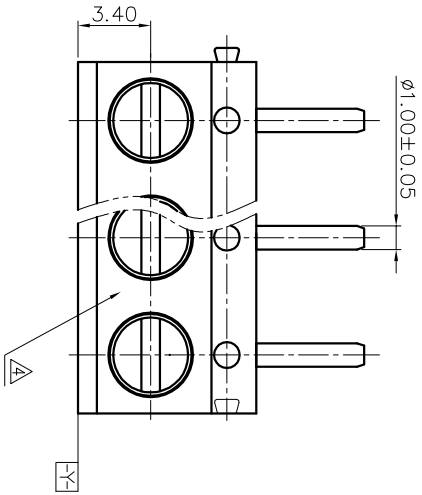


- NOTES:  
 1. DIMENSION SHALL BE INTERPRETED PER ASME Y14.5-2009.  
 2. PITCH: 5.0MM, POLES: 2-22P  
 3. RATED VOLTAGE/CURRENT: UL 300V/10A VDE 250V/17.5A  
 4. OPERATION TEMPERATURES: -30°C~+120°C  
 5. WITHSTANDING VOLTAGE: AC2000V/1MIN.  
 6. INSULATION RESISTANCE: 5000MΩ/DC1000V  
 7. WIRE RANGE: 22~14AWG, 1.5MM<sup>2</sup>  
 8. TORQUE VALUE: M2.5, 4.08kgf.cm  
 9. UNDIMENSIONED TOLERANCES:

PITCH RANGE IN MM	NOMINAL DIMENSION RANGE IN MM		—
	OVER TO	OVER TO	
6 TO 10	10 TO 24	30 TO 60	100 TO 150
±0.10	±0.15	±0.25	±0.30
		±0.50	±0.70
			±1.00
			0.10/10



REVISION RECORD				
REV	ECN	DESCRIPTION	DRFT	DATE
Δ		Drawing Revise	Haoyh	03/20/06*
Δ		工程变更	CSX	07/13/06*
Δ		增加VDE、CE标志	LJH	12/03/07*
Δ	11-0160	去掉工艺槽	ZXX	07/03/11*
Δ	14-0322	产品变形度由0.05/10变为0.10/10	WYJ	09/19/14*

ITEM	NAME OF PART	NO. OF PART	Q'TY	MATERIAL	NOTES
1	DG301R-5.0-Housing	4005A0YXXA(H)	1	PBT	UL94V-0

DETACHED LISTS	
MM (INCH)	TOLERANCES EXCEPT AS NOTED
.X ±	.X ±
.XX ±	.XX ±
.XXX ±	.XXX ±

THIRD ANGLE PROJECTION	
ANGLES ± 1°	APPD:
.X ±	CHKD:
.XX ±	DRT: Haoyh 03/20/06*
.XXX ±	DO NOT SCALE DRAWING

ITEM	NAME OF PART	NO. OF PART	Q'TY	MATERIAL	NOTES
4	DG301-Screws	S000001420(H)	XX	Steel	Cr <sup>3+</sup> Zn
3	DG301-Spring	X000000250(H)	XX	Spring steel	
2	DG301R-Pin	4005B00020(H)	XX	Brass	Sn plated

TITLE: ASSEMBLY DRAWING	
DRAWING NO.:	REV
DG301R-E02	T5
SCALE N/A	SHEET 1/1

NAME: DEGSON 宁波高正电子有限公司	
DEGSON DEGSON ELECTRONICS CO., LTD	
NAME: DG301R-5.0-XXP-1Y-00A(H)	