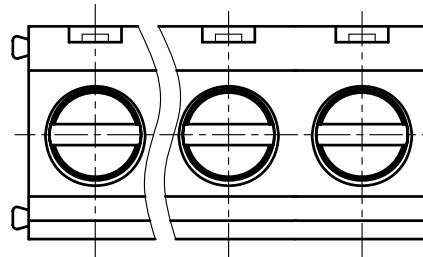


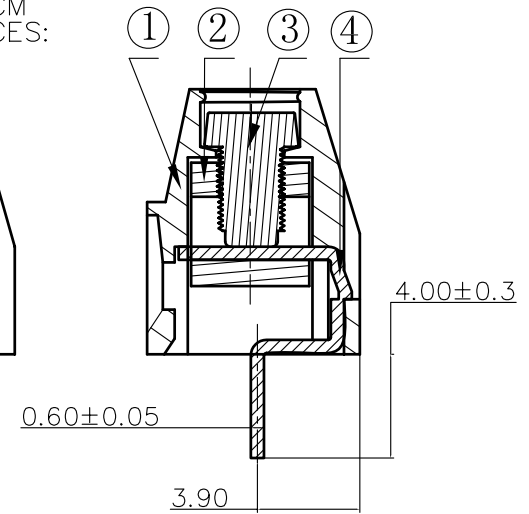
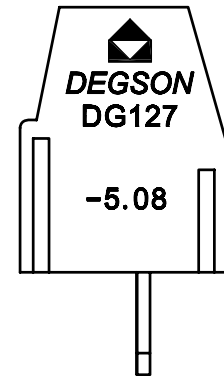
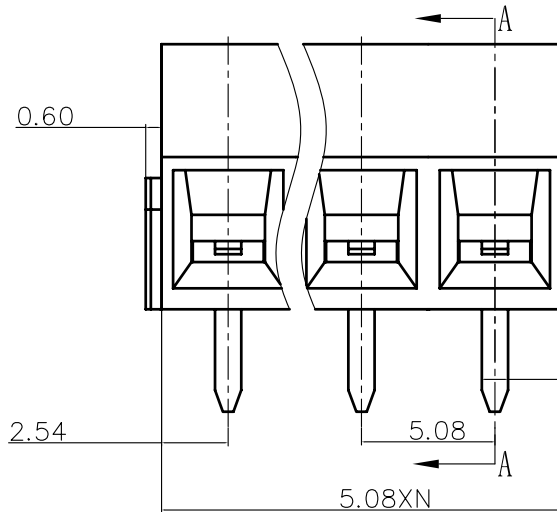
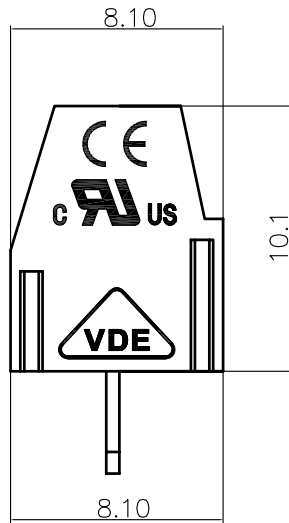
REVISION RECORD

REV	ECN	DESCRIPTION	DRFT	DATE



- NOTES:  
 1.DIMENSION SHALL BE INTERPRETED PER ASME Y14.5-2009.  
 2.PITCH: 5.08MM POLES: 2-24P  
 3.RATED VOLTAGE/CURRENT: UL 300V/12A VDE 250V/15A  
 4.INSULATION RESISTANCE: 5000MΩ/DC1000V  
 5.WRTHSTANDING VOLTAGE: AC2000V/1MIN  
 6.WIRE RANGE: 26-14AWG 1.5MM<sup>2</sup>  
 7.TEMP.RANGE: -40° C~+105° C  
 8.TORQUE: M2.5 4.08KGF.CM  
 9.UNDIMENSIONED TOLERANCES:

Pitch range in mm			Nominal dimension range in mm					—
to 6	over 6 to 10	over 10 to 24	to 30	over 30 to 60	over 60 to 100	over 100 to 150	over 150	
±0.10	±0.15	±0.25	±0.2	±0.3	±0.5	±0.7	±1.0	
							0.05/10	



SECTION A-A

ITEM	NAME OF PART	NO. OF PART	Q"TY	MATERIAL	NOTES
1	DG127-5.08-Housing	4052A0YXXA(H)	1	PA66	UL94V-0

MM (INCH)		MATERIAL:		DEGSON®	
TOLERANCES EXCEPT AS NOTED		FINISH:		NAME:	
.X ±	.X' ±	PART NO.:		DG127-5.08-XXP-1Y-00A(H)	
.XX ±	.XX' ±	APPD:		TITLE: ASSEMBLY DRAWING	REV T2
.XXX ±	.XXX' ±	CHKD:		DRAWING NO.: DG127-5.08-E04	
ANGLES ± 1°		DRFT: DZJ 10/10/05"		DO NOT SCALE DRAWING	SCALE N/A SHEET 1/1
THIRD ANGLE PROJECTION					

ITEM	NAME OF PART	NO. OF PART	Q"TY	MATERIAL	NOTES
4	DG127 Pin header	4028B00010(H)	XX	Brass	SnCe
3	DG127"-Screws-M2.5	S000001450(H)	XX	Steel	Cr <sup>3+</sup> Zn
2	DG127 Brass cage	X000000170(H)	XX	Brass	Ni plated