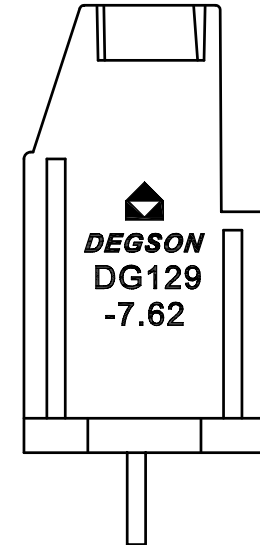
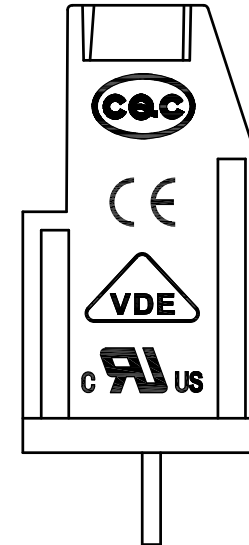
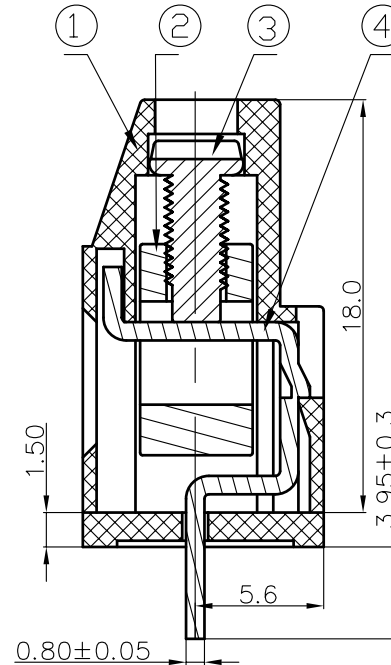
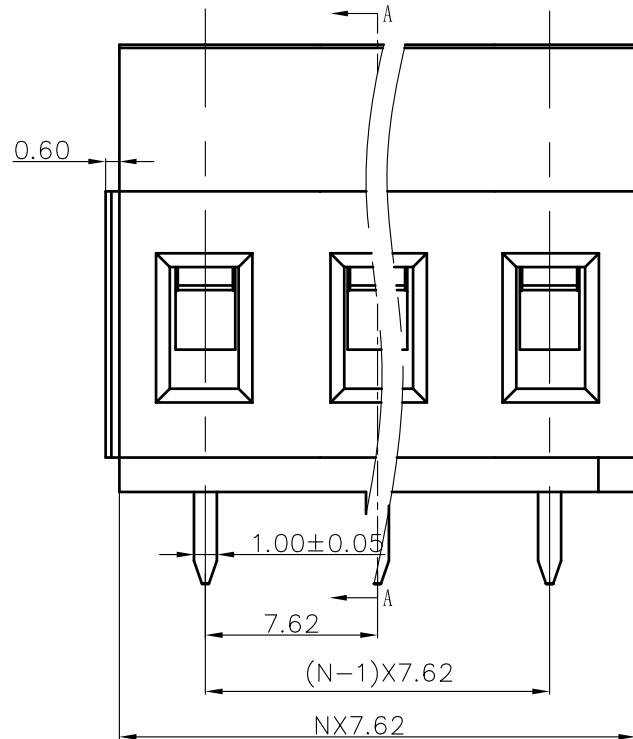
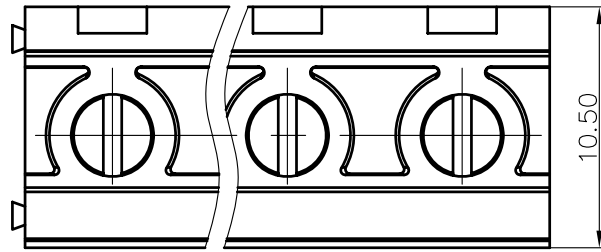


REVISION RECORD

REV	ECN	DESCRIPTION	DRFT	DATE
-----	-----	-------------	------	------

- NOTES:
 1.DIMENSION SHALL BE INTERPRETED PER ASME Y14.5-2009.
 2.PITCH: 7.62MM
 3.RATED VOLTAGE/CURRENT: UL 300V/20A
 VDE 450V/20A
 4.OPERATION TEMPERATURES: -40°C~+105°C
 5.WITHSTANDING VOLTAGE: AC2000V/1MIN
 6.INSULATION RESISTANCE: 5000MΩ/DC1000V
 7.WIRE RANGE: 26-12AWG;2.5MM²
 8.MAX.TORQUE VALUE:M3, 5.10KGF.CM
 9.UNDIMENSIONED TOLERANCES:

Pitch range in mm			Nominal dimension range in mm				
to	over	over	to	over	over	over	
6	6 to 10	10 to 24	30 to 60	60 to 100	100 to 150	150	
±0.10	±0.15	±0.25	±0.2	±0.3	±0.5	±0.7	±1.0
							0.05/10



SECTION A-A

5	DG129-Cover	4043C0YXXA(H)	1	PA66	UL94V-0
4	DG129-Pin header	4029B00010(H)	XX	Barss	SnCe
3	DG129-Screws-M3	S000001430(H)	XX	Steel	Cr ²⁺ Zn
2	DG129-Cage	X000000200(H)	XX	Brass	Ni plated

1	DG129-7.62--Housing	4043A0YXXA(H)	1	PA66	UL94V-0
ITEM	NAME OF PART	NO. OF PART	Q"TY	MATERIAL	NOTES

MM (INCH)		MATERIAL:			
TOLERANCES EXCEPT AS NOTED		FINISH:			
.X ±	.X' ±	PART NO.:	NAME: DG129-7.62-XXP-1Y-00A(H)		
.XX ±	.XX' ±				
.XXX ±	.XXX' ±				
ANGLES ± 1°		APPD:	TITLE: ASSEMBLY DRAWING		
		CHKD:	DRAWING NO.: DG129-7.62-E01		
THIRD ANGLE PROJECTION		DRFT:HUANGWEI 03/10/05	DO NOT SCALE DRAWING	SCALE	N/A
			SHEET	1/1	