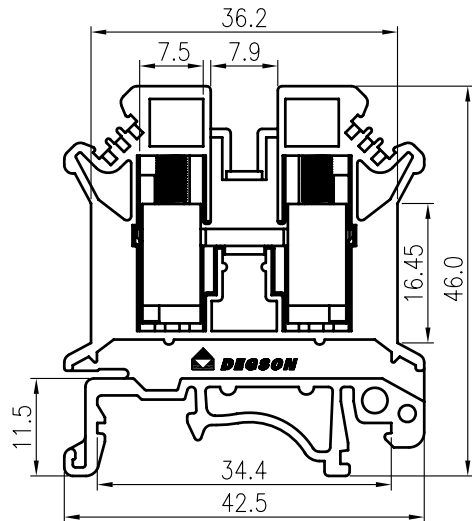
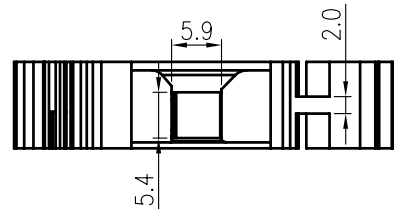
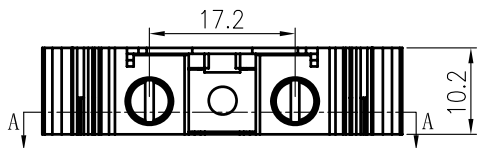
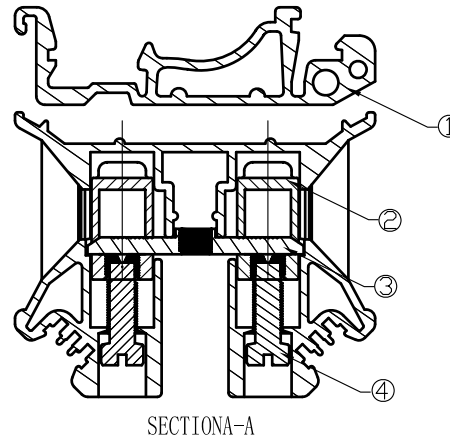
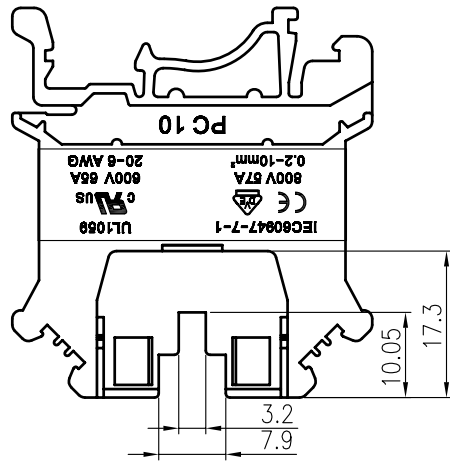


REVISION RECORD				
REV	ECN	DESCRIPTION	DRFT	DATE



- NOTES:
- 1.DIMENSION SHALL BE INTERPRETED PER ASME Y14.5-2009.
  - 2.RATED VOLTAGE/CURRENT:UL 600V/65A  
VDE 800V/57A
  - 3.OPERATION TEMPERATURES: -40℃~+105℃
  - 4.WITHSTANDING VOLTAGE: AC3000V/1MIN
  - 5.INSULATION RESISTANCE: 5000MΩ/DC1000V
  - 6.WIRE RANGE: 20~6AWG,0.2~10MM<sup>2</sup>
  - 7.MAX.TORQUE VALUE:M4,12.24KGF.CM
  - 8.UNDIMENSIONED TOLERANCES:

Pitch range in mm		Nominal dimension range in mm						
to	over	to	over	to	over	to	over	
6	10	10	24	30	60	100	150	∩
±0.10	±0.15	±0.25	±0.2	±0.3	±0.5	±0.7	±1.0	◊

4	PC6-Screw	S000001490(H)	2	Brass	Ni plated
3	PC10-Contact	6006B00010(H)	1	Copper	SnCe
2	PC10-PE Brass Cage	X000001290(H)	2	Brass	Ni plated

1	PC10-Housing	6006A0Y01A(H)	1	PA66	UL94V-0		
ITEM	NAME OF PART	NO. OF PART	Q"TY	MATERIAL	NOTES		
MATERIAL:		<b>DEGSON®</b>					
FINISH:							
PART NO.:						NAME:	
.X ± .XX ± .XXX ±						.X' ± .XX' ± .XXX' ±	
ANGLES ± 1°		APPD:		TITLE: ASSEMBLY DRAWING			
THIRD ANGLE PROJECTION		CHKD:		DRAWING NO.: PC 10-E01			
DRFT: LIUM 10/11/05"		DO NOT SCALE DRAWING		SCALE	N/A		
				REV	T6		
				SHEET	1/1		

H  
G  
F  
E  
D  
C  
B  
A

B  
C  
D  
E  
F  
G