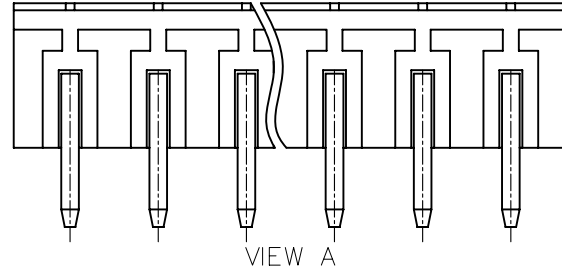
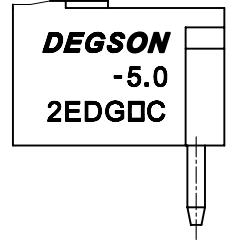
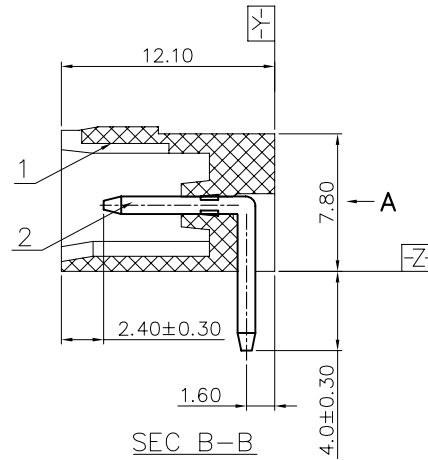
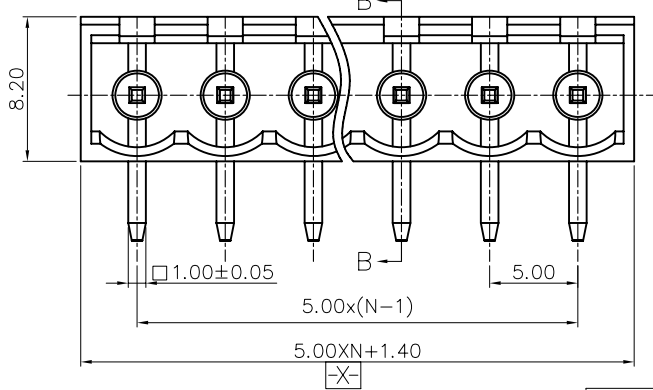
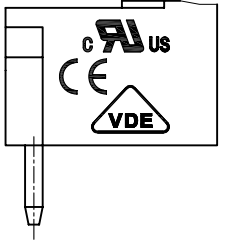


D1RFRD006

REVISION RECORD				
REV	ECN	DESCRIPTION	DRFT	DATE

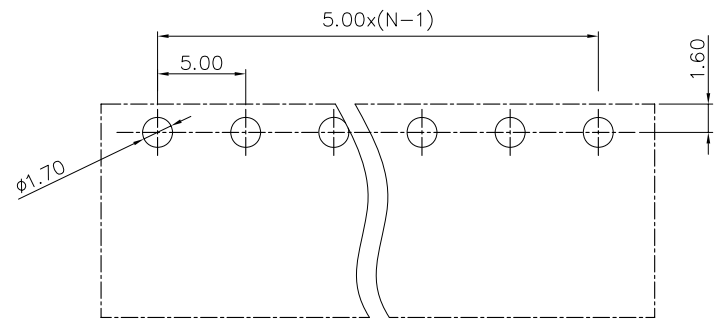


VIEW A



- NOTES:
- 1.DIMENSION SHALL BE INTERPRETED PER ASME Y14.5-2009.
 - 2.PITCH: 5.0MM ,POLES: 2-24P
 - 3.RATED VOLTAGE/CURRENT: UL 300V/15A VDE 320V/20A
 - 4.OPERATION TEMPERATURES: -40 °C~+105 °C
 - 5.RATED IMPULSE VOLTAGE: 4.0KV
 - 6.INSULATION RESISTANCE: 5000MΩ/DC1000V
 - 7.UNDIMENSIONED TOLERANCES:

Pitch range in mm		Nominal dimension range in mm						—
to	over	to	over	to	over	to	over	—
6	6	10	30	60	100	150	150	∩
10	10	24	30	60	100	150	150	∇
±0.10	±0.15	±0.25	±0.2	±0.3	±0.5	±0.7	±1.0	0.05/10



P.C.B LAYOUT

ITEM	NAME OF PART	NO. OF PART	Q"TY	MATERIAL	NOTES
2	2EDGR(A)-Pin header Automatic assembly	1008B00340(H)	XX	COPPER	Sn Plated
2	2EDGR(A)-Pin header Manual assembly	1008B00330(H)	XX	COPPER	Sn Plated
1	2EDGRC-5.0 Housing	1019A0YXXA(H)	1	PA66	UL94V-0

DETACHED LISTS	MM (INCH)		MATERIAL:		DEGSON®		
	TOLERANCES EXCEPT AS NOTED		FINISH:				
	.X ±	.X' ±	PART NO.:	NAME:	2EDGRC-5.0-XXP-1Y-00A(H)		
	.XX ±	.XX' ±	APPD:	TITLE: ASSEMBLY DRAWING			
.XXX ±	.XXX' ±	CHKD:	DRAWING NO.: 2EDGRC-5.0-E02	REV	T7		
ANGLES ± 1°		DRFT: HW 05/05/05"	DO NOT SCALE DRAWING	SCALE	N/A	SHEET	1/1

H
G
F
E
D
C
B
A

H
G
F
E
D
C
B
A

8 | 7 | 6 | 5 | 4 | 3 | 2 | 1