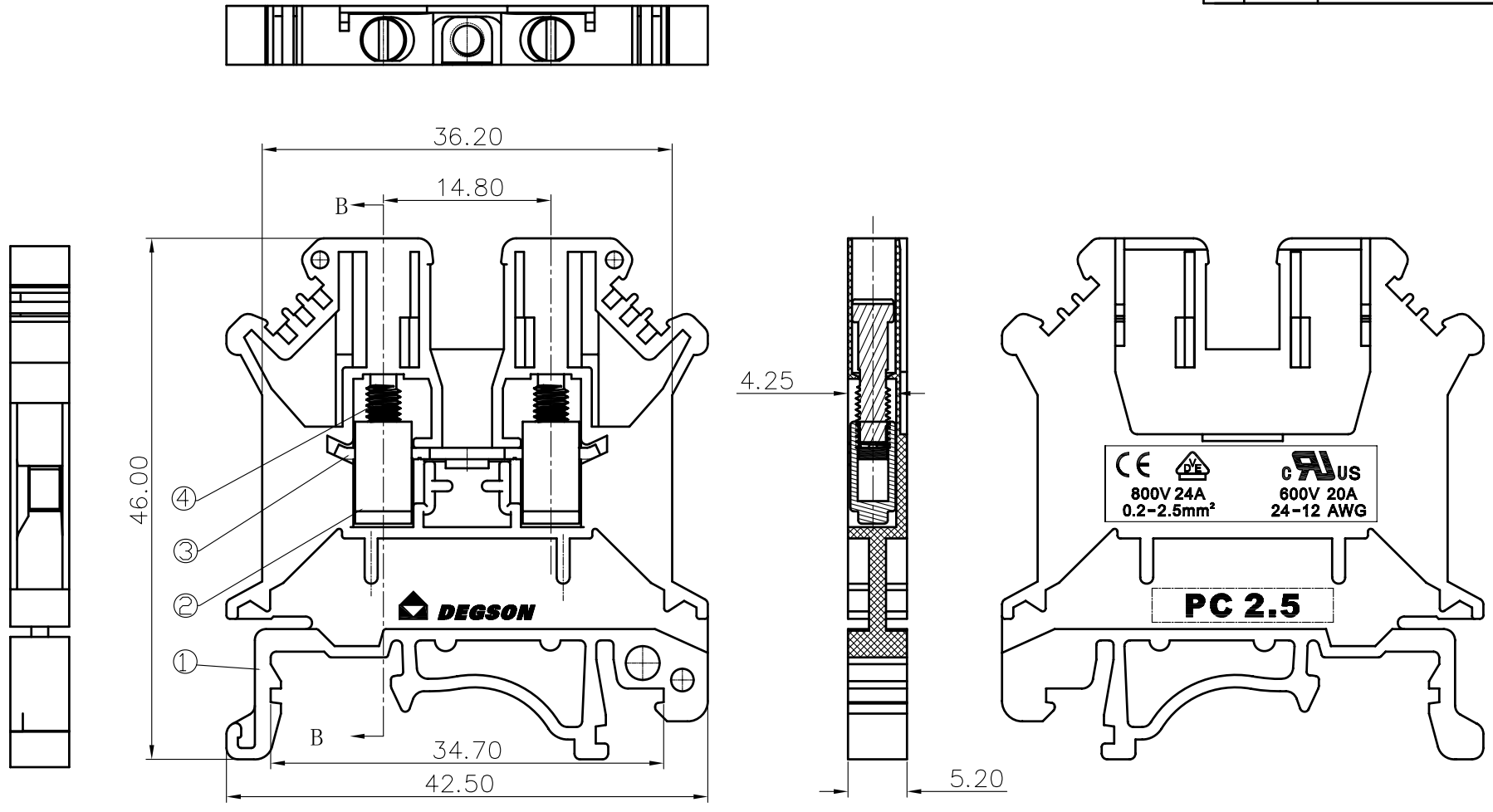


REVISION RECORD				
REV	ECN	DESCRIPTION	DRFT	DATE

H  
G  
F  
E  
D  
C  
B  
A

G  
F  
E  
D  
C  
B  
A



SECTION B-B

- NOTES:  
 1. DIMENSION SHALL BE INTERPRETED PER ASME Y14.5-2009.  
 2. RATED VOLTAGE/CURRENT: UL 600V/20A VDE 800V/24A  
 3. OPERATION TEMPERATURES: -40°C~+105°C  
 4. WITHSTANDING VOLTAGE: AC3000V/1MIN  
 5. INSULATION RESISTANCE: 5000MΩ/DC1000V  
 6. WIRE RANGE: 24~12AWG, 0.2~2.5MM²  
 7. MAX. TORQUE VALUE: M3, 5.1KGF.CM  
 8. UNDIMENSIONED TOLERANCES:

Pitch range in mm		Nominal dimension range in mm						
	over 6	over 10	over 30	over 60	over 100	over 150	∩	
to 6	to 10	to 24	to 30	to 60	to 100	to 150	∇	
	±0.10	±0.15	±0.25	±0.2	±0.3	±0.5	±0.7	
							±1.0	
							0.05/10	

4	PC 4 -Screw	S000001060(H)	2	Brass	Ni plated
3	PC 2.5 -Contact	6004B00010(H)	1	Copper	SnCe Plated
2	PC 2.5 -Brass Cage	X000000880(H)	2	Brass	Ni plated

1	PC 2.5-Housing	6004A0Y01A(H)	1	PA66	UL94V-0
ITEM	NAME OF PART	NO. OF PART	Q'TY	MATERIAL	NOTES

DETACHED LISTS	TOLERANCES EXCEPT AS NOTED		MATERIAL:		
	FINISH:		PART NO.:		
	NAME:		APPD:		
	TITLE: ASSEMBLY DRAWING		REV		
ANGLES ± 1° 		CHKD:		DRAWING NO.: PC2.5-E01	
THIRD ANGLE PROJECTION		DRFT: Zhuwm 07/16/'05		DO NOT SCALE DRAWING	
		SCALE		SHEET	
		N/A		1/1	