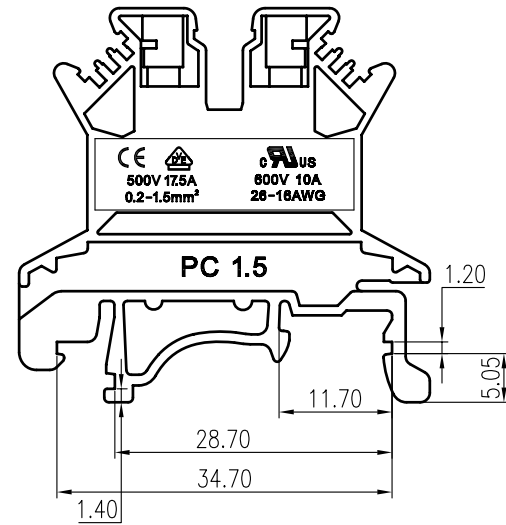
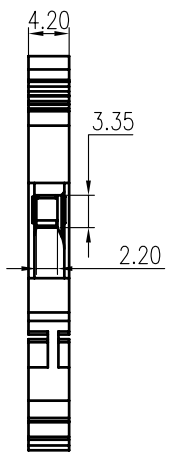
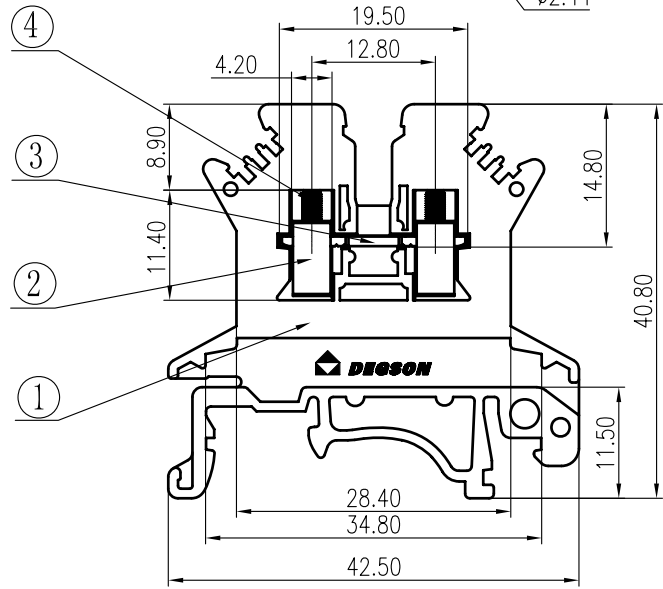
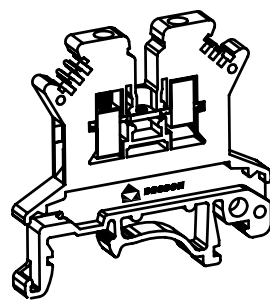
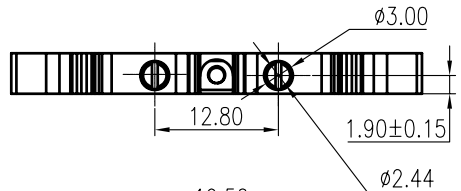


REVISION RECORD				
REV	ECN	DESCRIPTION	DRFT	DATE



NOTES:

- 1.DIMENSION SHALL BE INTERPRETED PER ASME Y14.5-2009.
- 2.RATED VOLTAGE/CURRENT:UL 600V/10A VDE 500V/17.5A
- 3.OPERATION TEMPERATURES:-40° C ~+105° C
- 4.WITHSTANDING VOLTAGE:AC3000V/1MIN
- 5.INSULATION RESISTANCE:5000M Ω/DC1000V
- 6.WIRE RANGE:26~16AWG,0.2~1.5MM²
- 7.MAX TORQUE VALUE:M2,2.04KGF.CM
- 8.UNDIMENSIONED TOLERANCES:

Pitch range in mm			Nominal dimension range in mm					
to 6	over 6 to 10	over 10 to 24	to 30	over 30 to 60	over 60 to 100	over 100 to 150	—	
±0.10	±0.15	±0.25	±0.2	±0.3	±0.5	±0.7	±1.0 0.05/10	

ITEM	NAME OF PART	NO. OF PART	Q'TY	MATERIAL	NOTES
4	DG128-Pin header	4027B00010(H)	2	Brass	Sn plated
3	PC 1.5-Current Carrier	6020B00010(H)	1	Copper	SnCe Plated
2	PC 1.5-Brass Cage	X000000020(H)	2	Brass	Ni plated
1	PC1.5 Housing	6020A0Y01A(H)	1	PA66	UL94V-0

DETACHED LISTS	TOLERANCES EXCEPT AS NOTED .X ± .X' ± .XX ± .XX' ± .XXX ± .XXX' ±		MATERIAL: FINISH: PART NO.: NAME:	
	ANGLES ± 1° THIRD ANGLE PROJECTION		APPD: CHKD: DRFT: Zhuwm 05/20/06"	
	TITLE: ASSEMBLY DRAWING DRAWING NO.: DG500-5.0-E02		NAME: PC 1.5-E01	
	DO NOT SCALE DRAWING SCALE N/A		SHEET 1/1	

H
G
F
E
D
C
B
A

H
G
F
E
D
C
B
A