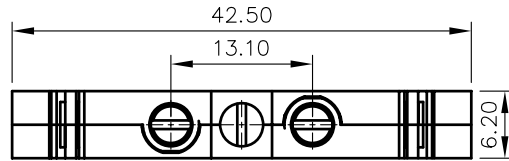


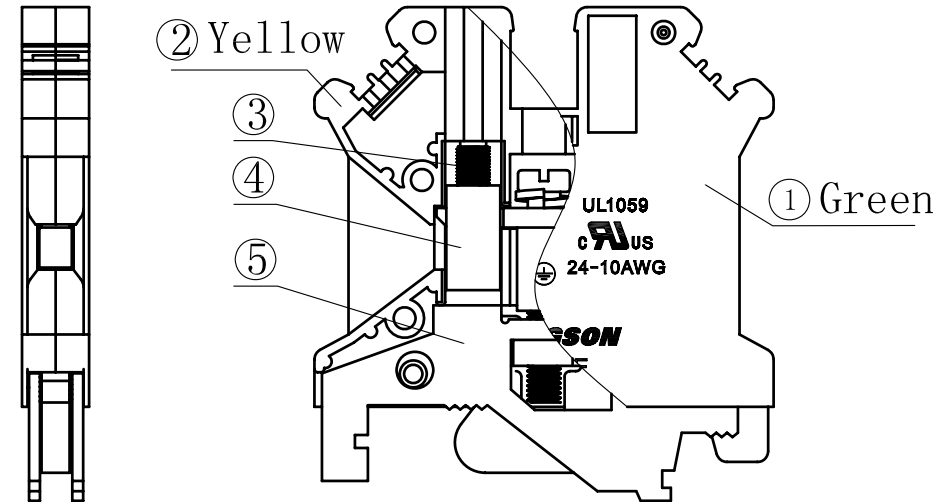
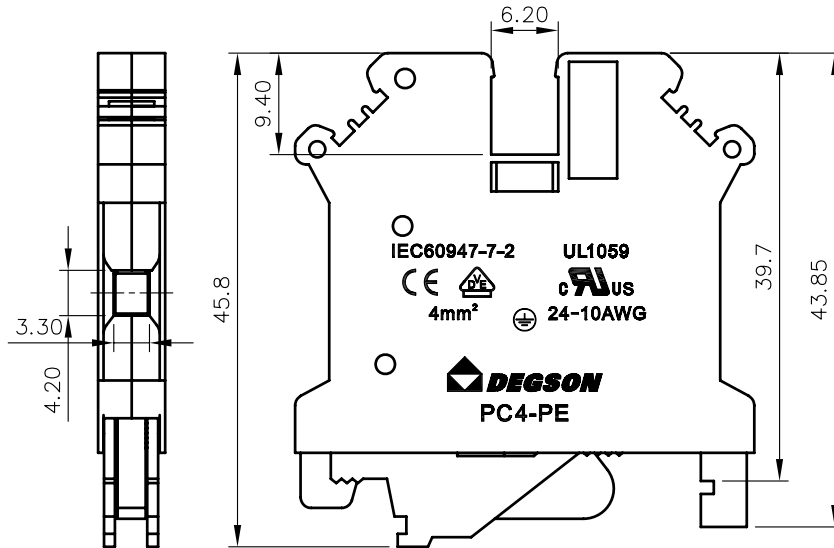
REVISION RECORD				
REV	ECN	DESCRIPTION	DRFT	DATE

NOTES:

- 1.DIMENSION SHALL BE INTERPRETED PER ASME Y14.5-2009.
- 2.THICKNESS/WIDTH: 6.2MM/42.5MM
- 3.WIRE RANGE: 24~10AWG ,4MM<sup>2</sup>
- 4.MAX.TORQUE VALUE: M3.0 ,5.1KGF.CM
- 5.OPERATION TEMPERATURES: -40°C~+105°C
- 6.UNDIMENSIONED TOLERANCES:



Pitch range in mm		Nominal dimension range in mm						
to 6	over 6 to 10	over 10 to 24	to 30	over 30 to 60	over 60 to 100	over 100 to 150	∩	
±0.10	±0.15	±0.25	±0.2	±0.3	±0.5	±0.7	±1.0	0.05/10



1	PC4-PE-Housing	6014A0401A(H)	1	PA66	UL94V-0
ITEM	NAME OF PART	NO. OF PART	Q"TY	MATERIAL	NOTES

DETACHED LISTS	MM (INCH)		MATERIAL:		<b>DEGSON®</b>	
	TOLERANCES EXCEPT AS NOTED		FINISH:			
	.X ±	.X' ±	PART NO.:			NAME:
	.XX ±	.XX' ±	PC4-PE-01P-1Y-00A(H)			
.XXX ±	.XXX' ±	ANGLES ± 1°		APPD:	TITLE: ASSEMBLY DRAWING	
THIRD ANGLE PROJECTION		CHKD:		DRFT: ExpsAny 11/14/05"	DRAWING NO.: PC4-PE-E01	
				DO NOT SCALE DRAWING	SCALE N/A	REV T4
					SHEET 1/1	

4	PC4-PE-Ground contact	6014B00010(H)	1		
3	PC4-Cage	X000000630(H)	2	Brass	Ni plated
2	PC4-Screw	S000001060(H)	2	Brass	Ni plated
2	PC4-PE-Housing	6014A0801A(H)	1	PA66	UL94V-0