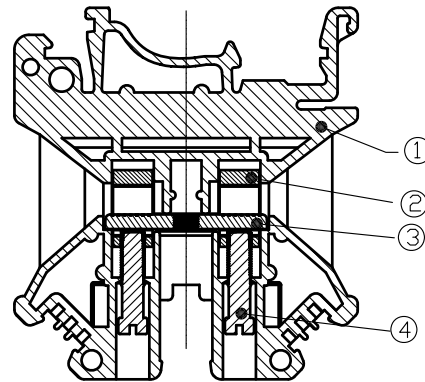
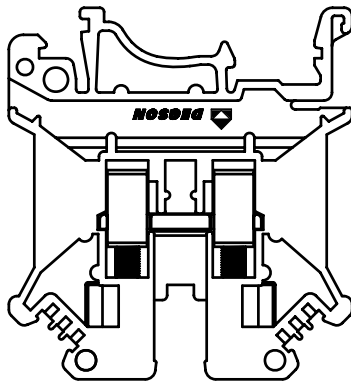


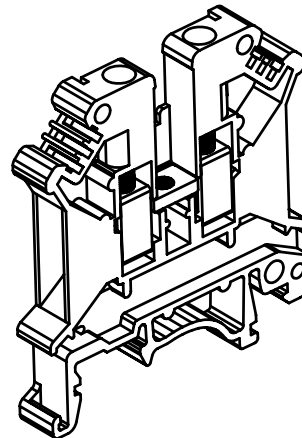
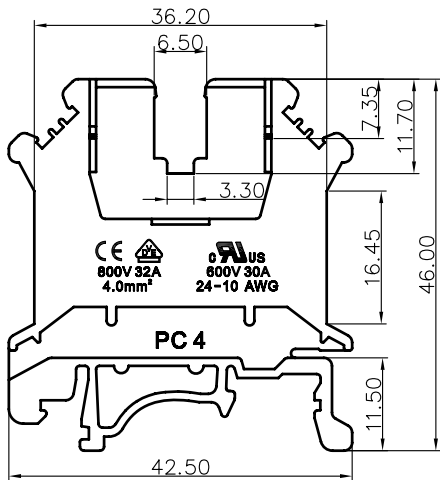
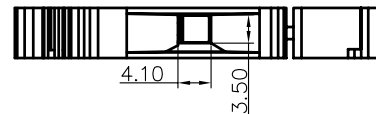
REVISION RECORD				
REV	ECN	DESCRIPTION	DRFT	DATE



SECTION A-A

NOTES:

1. DIMENSION SHALL BE INTERPRETED PER ASME Y14.5-2009.
2. PITCH: 6.2MM
3. INSULATION RESISTANCE: 5000MΩ/1000V
4. WITHSTANDING VOLTAGE: AC3000V/1MIN
5. WIRE RANGE: 24-10AWG, 4MM²
6. RATED VOLTAGE/CURRENT: UL 600V/30A
VDE 800V/32A
7. TEMP. RANGE: -40° C ~ +105° C
8. UNDIMENSIONED TOLERANCES:



Pitch range in mm		Nominal dimension range in mm						
	over 6	over 10	over 30	over 60	over 100	over 150	∩	
to 6	to 10	to 24	to 30	to 60	to 100	to 150	∇	
±0.10	±0.15	±0.25	±0.2	±0.3	±0.5	±0.7	±1.0	
							0.05/10	

ITEM	NAME OF PART	NO. OF PART	Q'TY	MATERIAL	NOTES
2	PC 4-BRASS CAGE	X00000630(H)	2	Brass	NI PLATED
1	PC 4-HOUSING	6002A0Y01A(H)	1	PA66	UL94V-0

DETACHED LISTS	TOLERANCES EXCEPT AS NOTED .X ± .X' ± .XX ± .XX' ± .XXX ± .XXX' ±		MATERIAL: FINISH: PART NO.: NAME:		 PC 4-01P-1Y-00A(H)	
	ANGLES ± 1°		APPD: CHKD:			
	 THIRD ANGLE PROJECTION		DRFT: longle 12/05/'04		TITLE: ASSEMBLY DRAWING DRAWING NO.: PC 4-E01	
					REV	T5

NO.	NAME OF PART	NO. OF PART	Q'TY	MATERIAL	NOTES
4	PC 4-SCREW	S000001060(H)	2	Brass	NI PLATED
3	PC 4-CONTACT	6002B00010(H)	1	COPPER	SnCe