

REVISION RECORD

REV	ECN	DESCRIPTION	DRFT	DATE

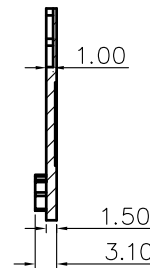
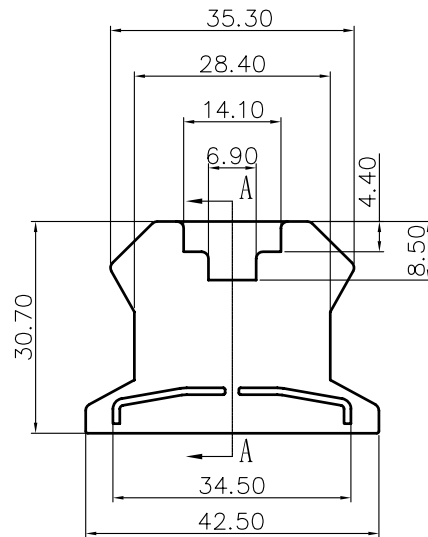
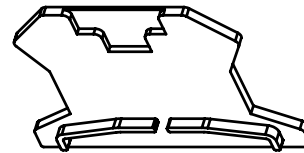
NOTES:

1.DIMENSION SHALL BE INTERPRETED PER ASME Y14.5-2009.

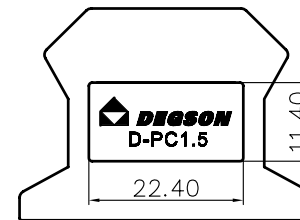
2.PLASTIC: PA66

3.UNDIMENSIONED TOLERANCES:

Pitch range in mm		Nominal dimension range in mm						—
to	over	over	to	over	over	over	—	
6	6 to 10	10 to 24	30	30 to 60	60 to 100	100 to 150	150	
±0.10	±0.15	±0.25	±0.2	±0.3	±0.5	±0.7	±1.0	0.05/10



SECTION A-A



1	DG500-5.0 Housing	4045A0YXXA(H)	1	PA66	UL94V-0
ITEM	NAME OF PART	NO. OF PART	Q"TY	MATERIAL	NOTES

DETACHED LISTS	MM (INCH)		MATERIAL:		DEGSON [®]	
	TOLERANCES EXCEPT AS NOTED		FINISH:			
	.X ±	.X' ±	PART NO.:		NAME:	
	.XX ±	.XX' ±	D-PC1.5-01P-1Y-00A		REV	TO
	.XXX ±	.XXX' ±				
ANGLES ± 1°		APPD:	TITLE: ASSEMBLY DRAWING		REV	TO
THIRD ANGLE PROJECTION		CHKD:	DRAWING NO.: D-PC1.5-E01			
		DRFT: LIN 06/29/06"		DO NOT SCALE DRAWING	SCALE	N/A