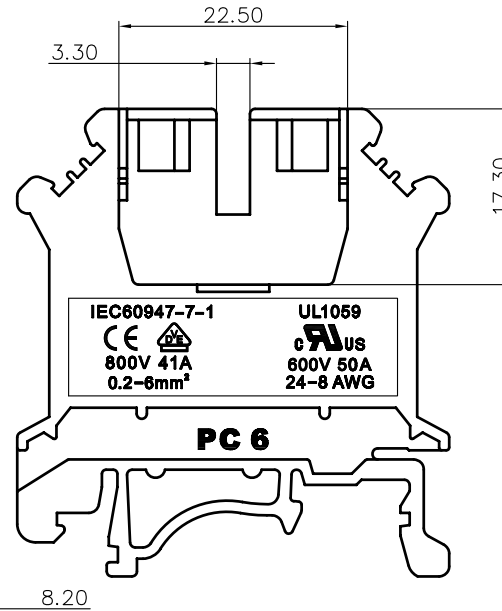
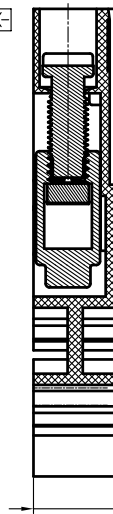
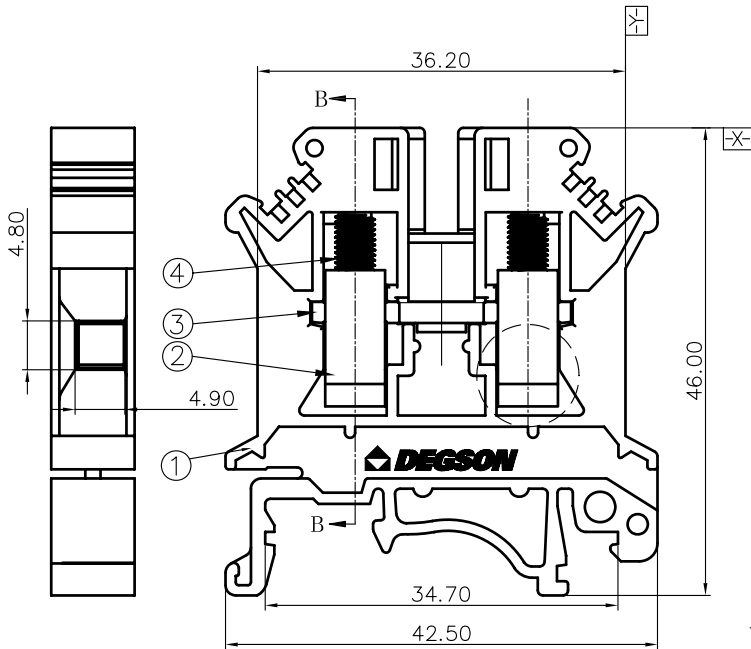
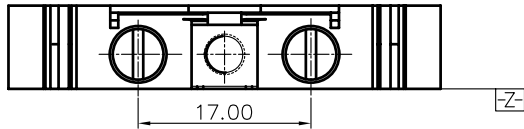


REVISION RECORD				
REV	ECN	DESCRIPTION	DRFT	DATE



- NOTES:
- 1.DIMENSION SHALL BE INTERPRETED PER ASME Y14.5-2009.
 - 2.RATED VOLTAGE/CURRENT:UL 600V/50A VDE 800V/41A
 - 3.OPERATION TEMPERATURES:-40° C~+105°
 - 4.RATED IMPULSE VOLTAGE:8.0KV
 - 5.INSULATION RESISTANCE:5000M Ω/DC1000V
 - 6.WIRE RANGE:24~8AWG , 0.2~6MM²
 - 7.MAX.TORQUE VALUE:M4,12.24KGF.CM
 - 8.UNDIMENSIONED TOLERANCES:

Pitch range in mm		Nominal dimension range in mm					
to 6	over 6 to 10	over 10 to 24	over 30 to 60	over 60 to 100	over 100 to 150	over 150	
±0.10	±0.15	±0.25	±0.2	±0.3	±0.5	±0.7 ±1.0	
						0.05/10	

ITEM	NAME OF PART	NO. OF PART	Q"TY	MATERIAL	NOTES
4	PC 6 -Screw	S000001490(H)	2	Brass	Ni Plated
3	PC 6 -Contact	6005B00010(H)	1	Copper	SnCe Plate
2	PC 6 -Brass Cage	X000000900(H)	2	Brass	Ni Plated
1	PC 6- Housing	6005A0Y01A(H)	1	PA66	UL94V-0

MM (INCH)		MATERIAL:			
TOLERANCES EXCEPT AS NOTED		FINISH:			
.X ±	.X' ±	PART NO.:		NAME:	
.XX ±	.XX' ±			PC 6-01P-1Y-00A (H)	
.XXX ±	.XXX' ±			TITLE: ASSEMBLY DRAWING	
ANGLES ± 1°		APPD:	DRAWING NO.: PC 6-E01		REV T6
THIRD ANGLE PROJECTION		DRFT: huwm 05/10/05	DO NOT SCALE DRAWING	SCALE N/A	SHEET 1/1