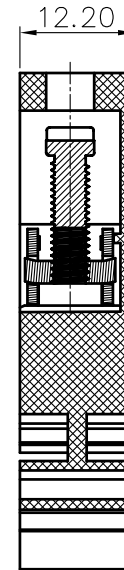
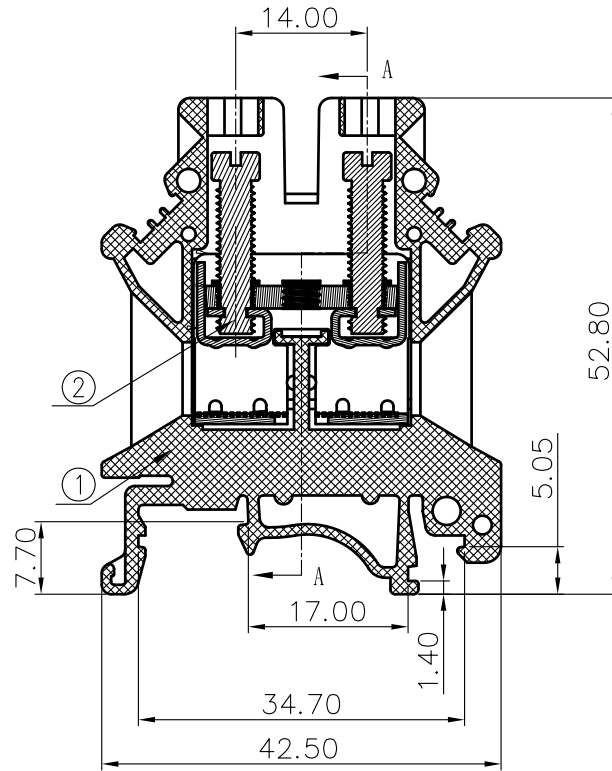
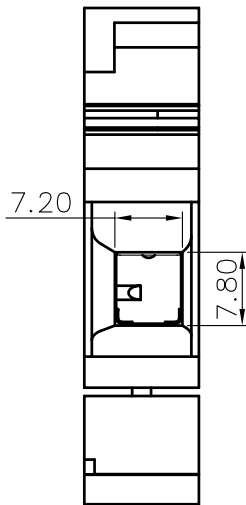
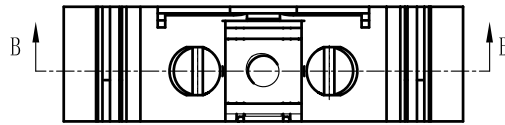
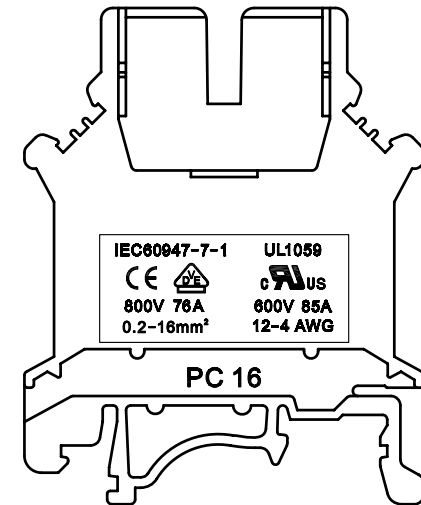


REVISION RECORD				
REV	ECN	DESCRIPTION	DRFT	DATE



SECTION A-A



NOTES:

- 1.DIMENSION SHALL BE INTERPRETED PER ASME Y14.5-2009.
- 2.RATED CURRENT/VOLTAGE:UL 600V/85A
VDE 800V/76A
- 3.OPERATION TEMPERATURES:-40° C~+105° C
- 4.WITHSTANDING VOLTAGE: AC3000V/1MIN
- 5.INSULATION RESISTANCE:5000M Ω/DC1000V
- 6.WIRE RANGE: 12~4AWG,0.2~16MM²
- 7.MAX.TORQUE VALUE:M4,12.24KGF.CM
- 8.UNDIMENSIONED TOLERANCES:

Pitch range in mm		Nominal dimension range in mm						
to 6	over 6 to 10	over 10 to 24	to 30	over 30 to 60	over 60 to 100	over 100 to 150	—	
±0.10	±0.15	±0.25	±0.2	±0.3	±0.5	±0.7	±1.0 _{0.05/10}	

ITEM	NAME OF PART	NO. OF PART	Q'TY	MATERIAL	NOTES
2	PC16 Hardware	6009B00010(H)	1	Brass	Ni Plated
1	PC16 Housing	6009A0Y01A(H)	1	PA66	UL94V-0

DETACHED LISTS	MM (INCH)		MATERIAL:			
	TOLERANCES EXCEPT AS NOTED		FINISH:			
	.X ±	.X' ±	PART NO.:		NAME:	
	.XX ±	.XX' ±	APPD:		TITLE: ASSEMBLY DRAWING	
.XXX ±	.XXX' ±	CHKD:		DRAWING NO.: PC16-E01		
ANGLES ± 1°		DRFT: Zhuwm 07/19/'05		DO NOT SCALE DRAWING		REV T6
THIRD ANGLE PROJECTION				SCALE N/A	SHEET 1/1	