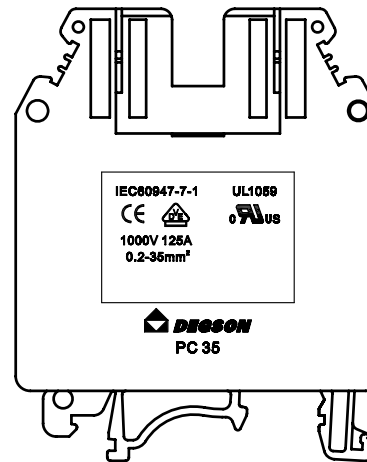
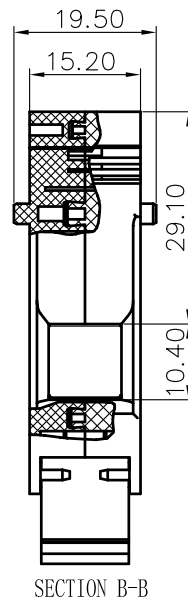
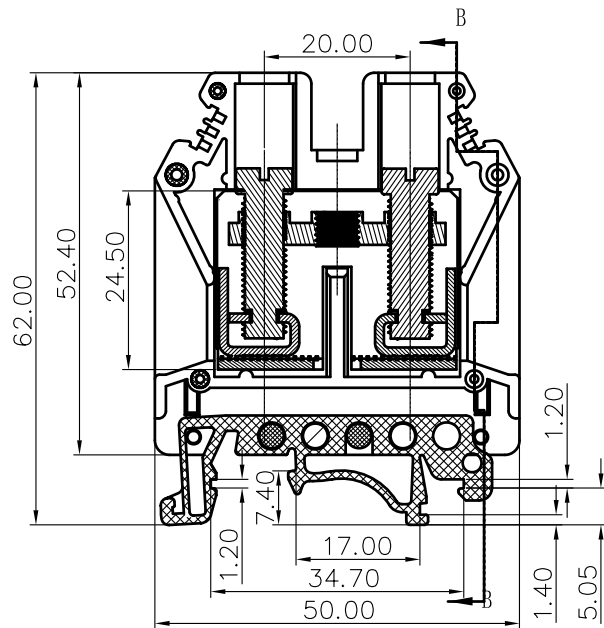
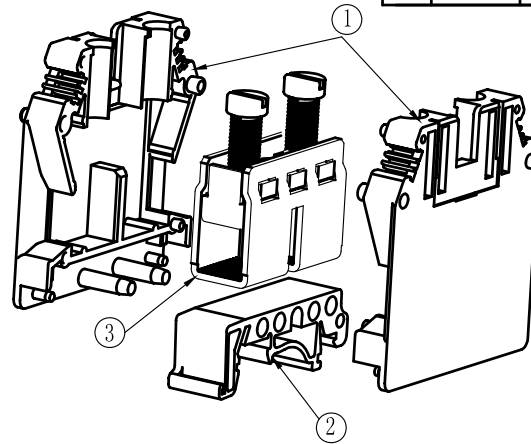
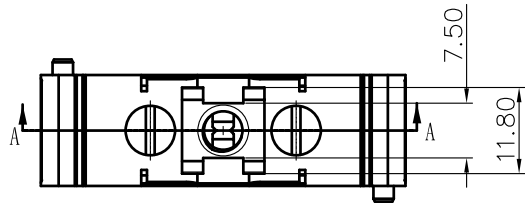


REVISION RECORD				
REV	ECN	DESCRIPTION	DRFT	DATE



- NOTES:  
 1. DIMENSION SHALL BE INTERPRETED PER ASME Y14.5-2009.  
 2. RATED VOLTAGE/CURRENT: UL 600V/8A VDE 1000V/125A  
 3. OPERATION TEMPERATURES: -40 °C ~ +105 °C  
 4. INSULATION WITHSTAND VOLTAGE: AC3000V/1MIN  
 5. INSULATION RESISTANCE: 5000M Ω /DC1000V  
 6. WIRE RANGE: 18~2AWG, 0.2~35MM<sup>2</sup>  
 7. MAX. TORQUE VALUE: M6, 25.5KGF.CM  
 8. UNDIMENSIONED TOLERANCES:

Pitch range in mm		Nominal dimension range in mm						
over 6	over 10	over 30	over 60	over 100	over 150	∩		
to 6	to 10	to 30	to 60	to 100	to 150	□		
±0.10	±0.15	±0.25	±0.2	±0.3	±0.5	±0.7	±1.0	0.05/10

SECTION A-A

SECTION B-B

1	PC 35-01P-1Y-00A housing	6013A0Y01A(H)	2	PA66	UL94V-0
ITEM	NAME OF PART	NO. OF PART	Q'TY	MATERIAL	NOTES

DETACHED LISTS	MM (INCH)		MATERIAL:		<b>DEGSON</b> <sup>®</sup>	
	TOLERANCES EXCEPT AS NOTED		FINISH:			
	.X ±	.X' ±	PART NO.:		NAME: PC 35-01P-1Y-00A(H)	
	.XX ±	.XX' ±	APPD:		TITLE: ASSEMBLY DRAWING	REV
.XXX ±	.XXX' ±	CHKD:		DRAWING NO.: PC 35-E01	T2	
ANGLES ± 1°		DRFT: Zhuwm 11/03/'05		DO NOT SCALE DRAWING	SCALE	N/A
THIRD ANGLE PROJECTION				SHEET	1/1	

3	PC 35-hardware	6013B00010(H)	1		
2	PC 35 housing2	6013I0Y01A(H)	1	PA66	UL94V-0