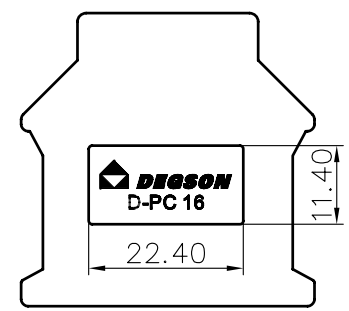
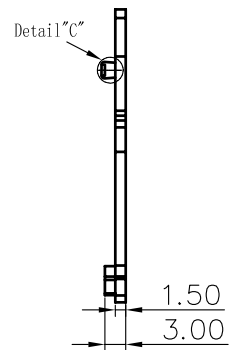
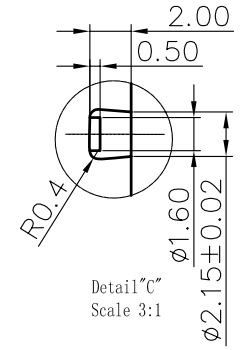
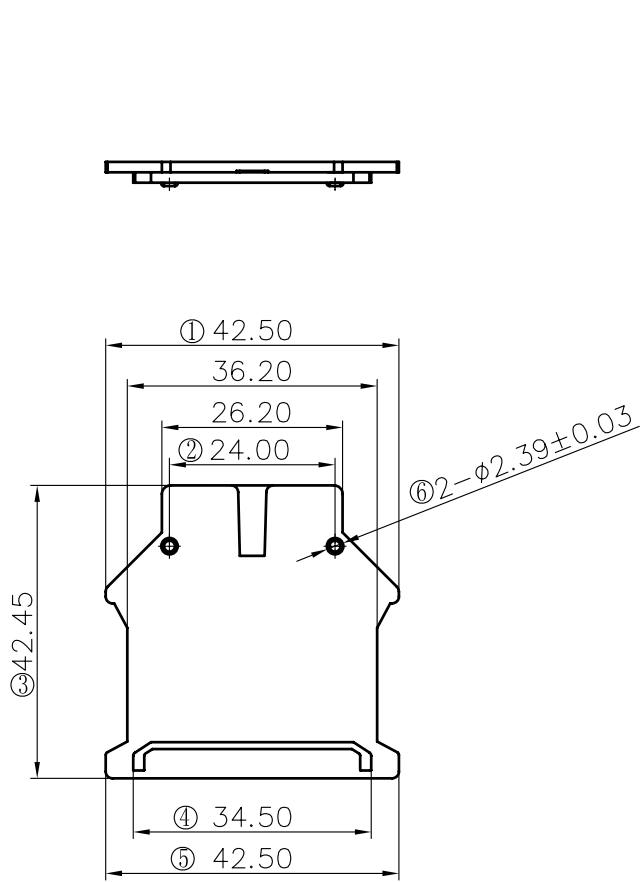


REVISION RECORD				
REV	ECN	DESCRIPTION	DRFT	DATE

H  
G  
F  
E  
D  
C  
B  
A



- NOTES:  
 1. DIMENSION SHALL BE INTERPRETED PER ASME Y14.5-2009.  
 2. PLASTIC: PA66  
 3. UNDIMENSIONED TOLERANCES:

Pitch range in mm		Nominal dimension range in mm						—
	over 6	over 10	over 30	over 60	over 100	over 150	⌒	
to 6	to 10	to 24	to 30	to 60	to 100	to 150	▭	
±0.10	±0.15	±0.25	±0.2	±0.3	±0.5	±0.7	±1.0	0.05/10

1	PC16-Honsing	6009C0Y01A		PA66	UL94V-0
ITEM	NAME OF PART	NO. OF PART	Q"TY	MATERIAL	NOTES

DETACHED LISTS	MM (INCH) TOLERANCES EXCEPT AS NOTED .X ±     .X' ± .XX ±   .XX' ± .XXX ±   .XXX' ±		MATERIAL: FINISH: PART NO.:		NAME: D-PC16-01P-1Y-00A(H)		
	ANGLES ± 1°		APPD:				
	THIRD ANGLE PROJECTION		CHKD:		TITLE: ASSEMBLY DRAWING		
			DRFT: LIN 05/29/06"		DRAWING NO.: D-PC16-E01		
DO NOT SCALE DRAWING				SCALE	N/A	REV	T1
				SHEET	1/1		

H  
G  
F  
E  
D  
C  
B  
A