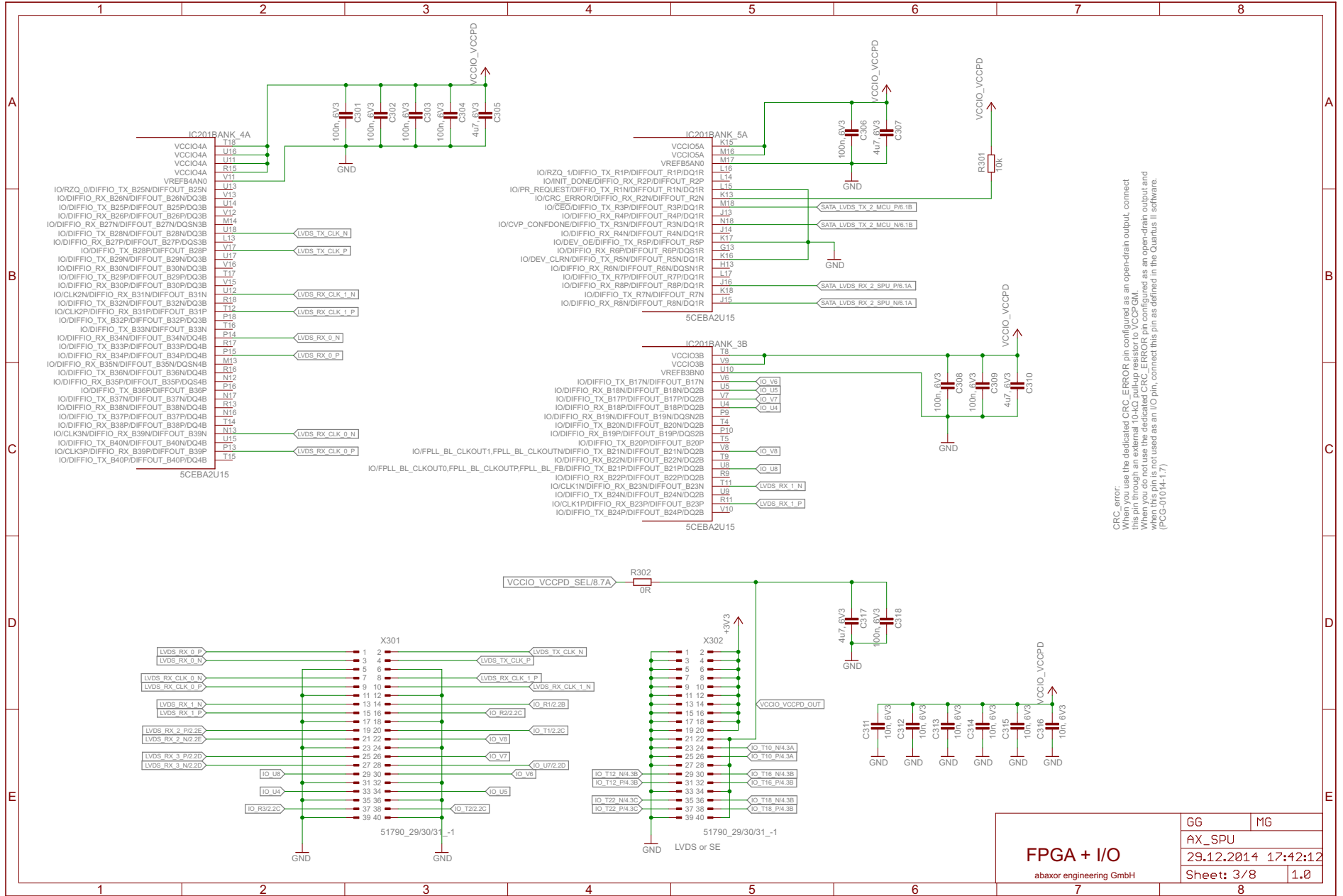
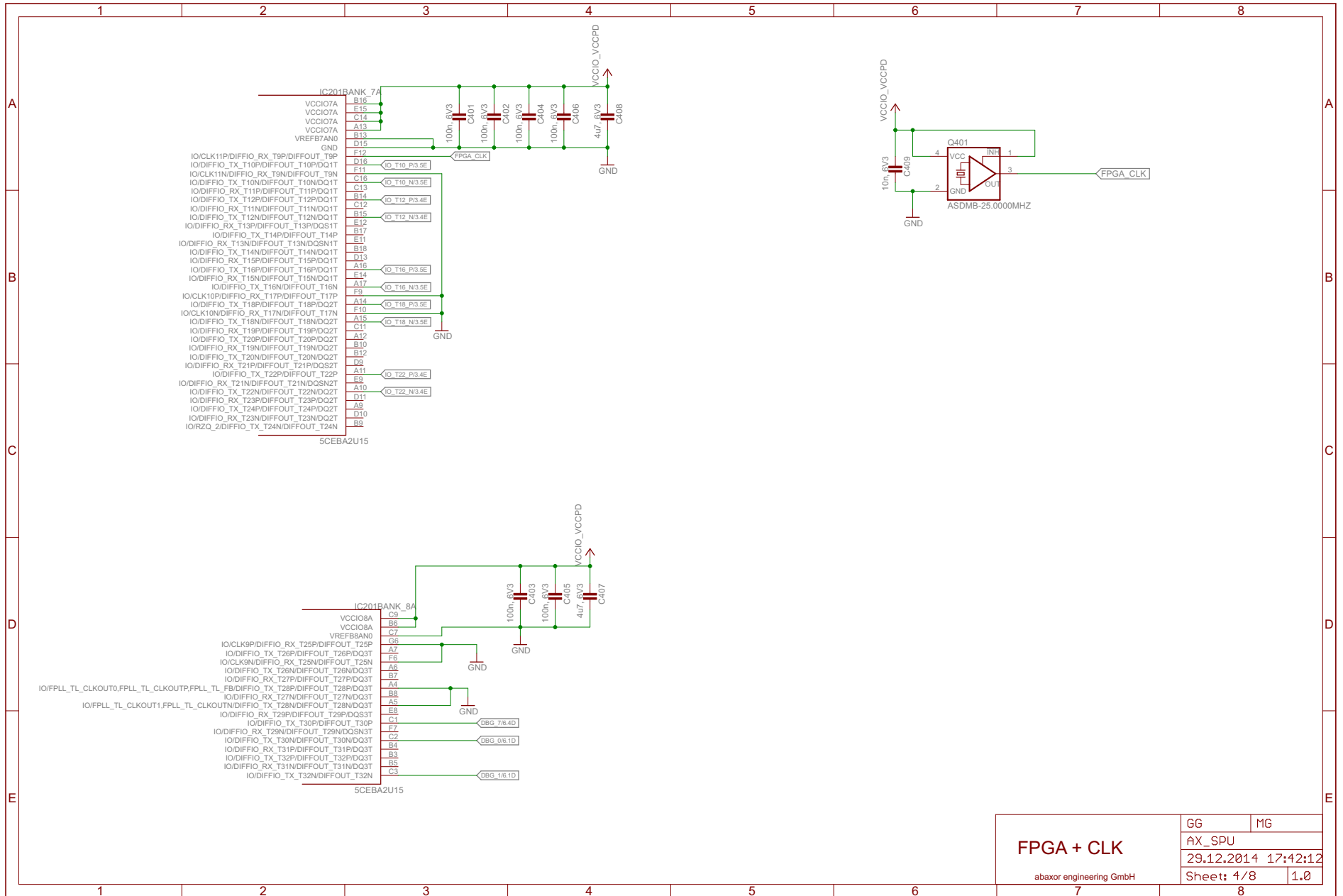
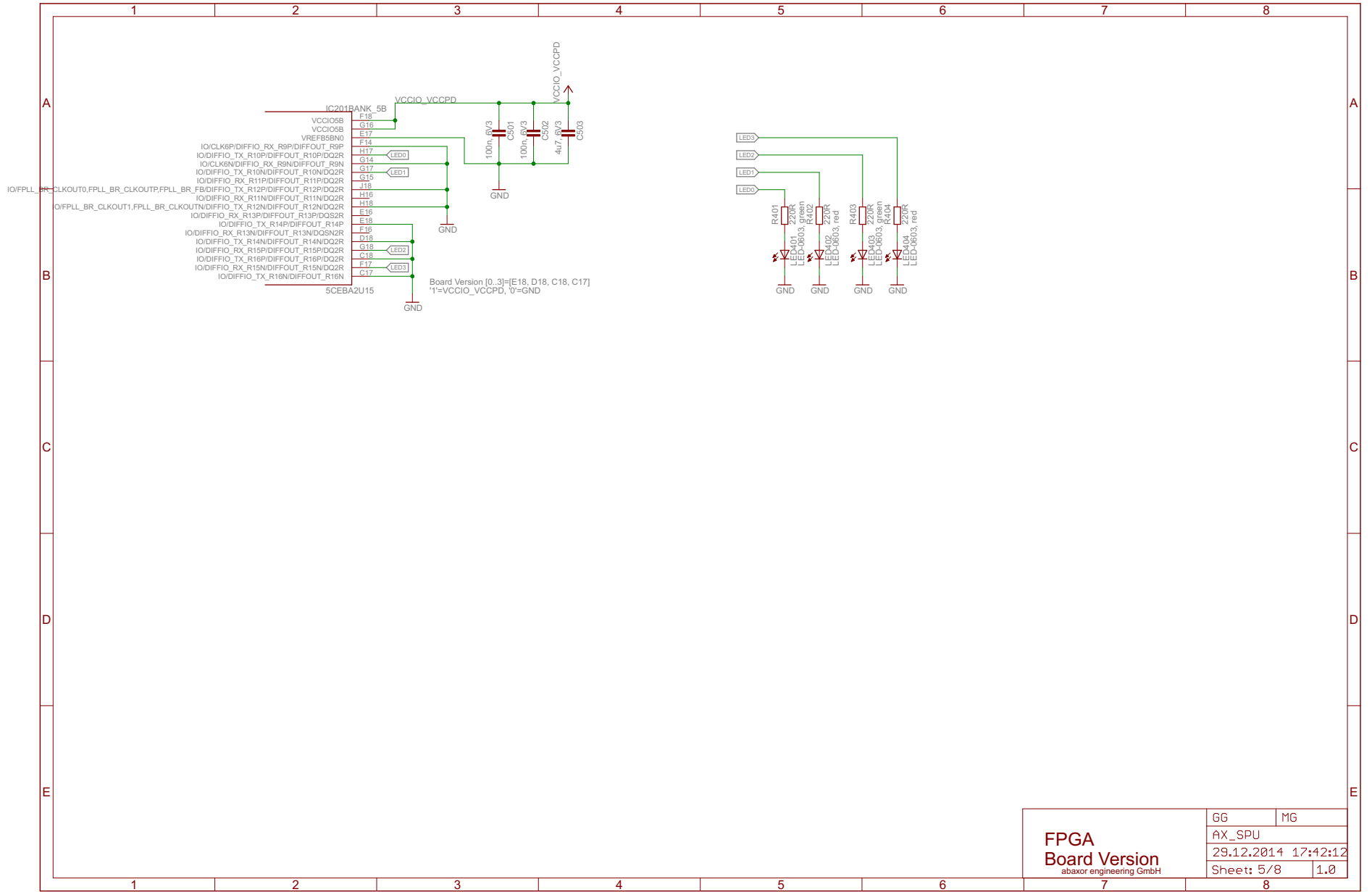


FPGA Config + Debug IO abaxor engineering GmbH	GG	MG
	AX_SPU	
	29.12.2014 17:42:12	
	Sheet: 2/8	1.0

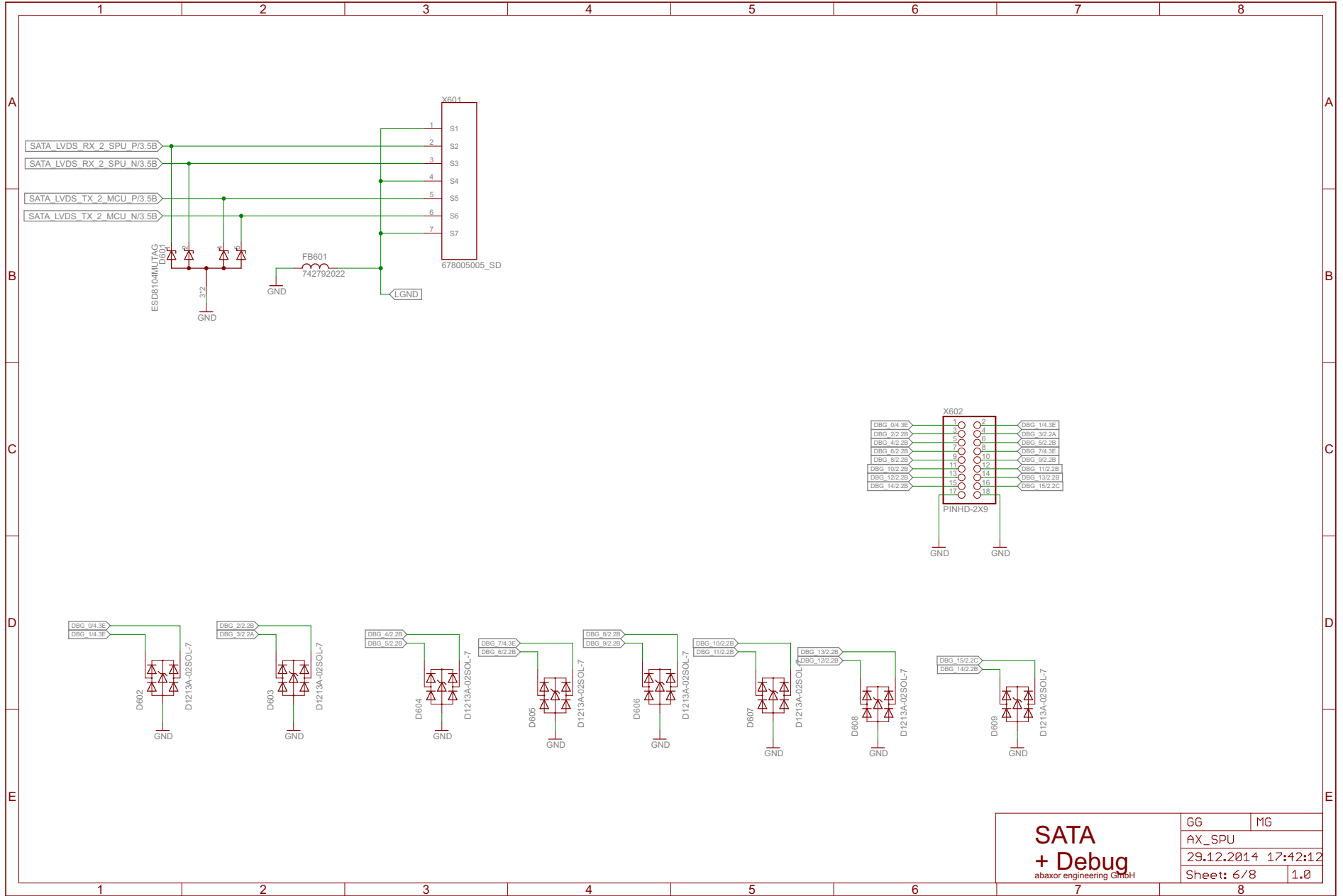




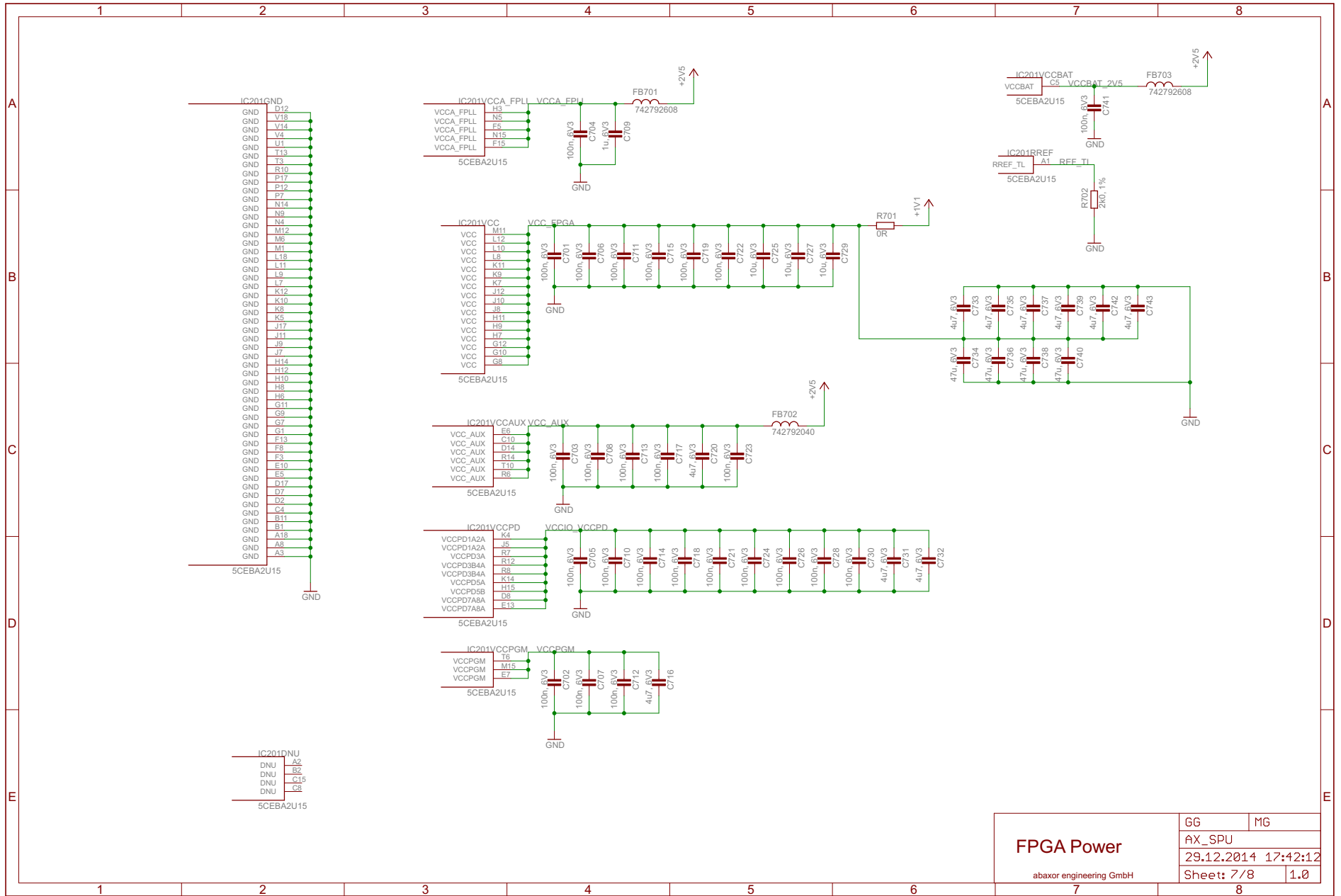
FPGA + CLK	GG	MG
	AX_SPU	
	29.12.2014 17:42:12	
	Sheet: 4/8	1.0
abaxor engineering GmbH		

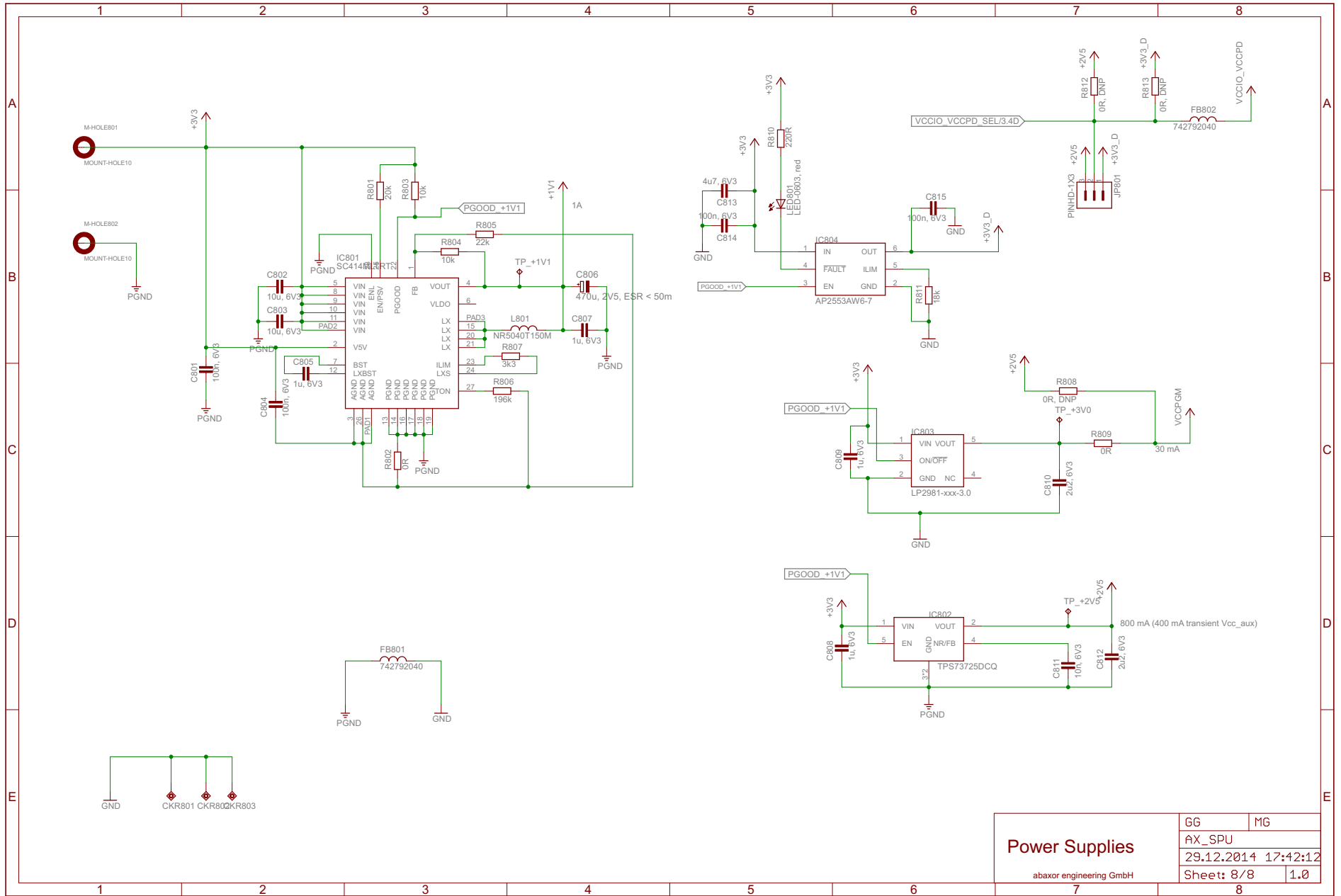


FPGA Board Version <small>abaxor engineering GmbH</small>	GG	MG
	AX_SPU	
	29.12.2014 17:42:12	
	Sheet: 5/8	1.0



SATA + Debug <small>abaxor engineering GmbH</small>	GG	MG
	AX_SPU	
	29.12.2014 17:42:12	
	Sheet: 6/8	1.0





Power Supplies	GG	MG
	AX_SPU	
	29.12.2014 17:42:12	
	Sheet: 8/8	1.0
abaxor engineering GmbH		