



## DT-19SU

Order No.: 10.1970

### PRODUCTINFOS

#### Hi-fi dome tweeter, 50 W, 8 $\Omega$

- 19 mm soft dome, laminate technology
- Double magnet
- Robust plastic front
- Low cone weight
- Optimum brilliance
- For hi-fi applications of high requirements, especially in 3-way systems

### TECHNICAL SPECIFICATIONS

#### DT-19SU

Impedance (Z)	8 $\Omega$
Operating voltage	-

**DT-19SU**

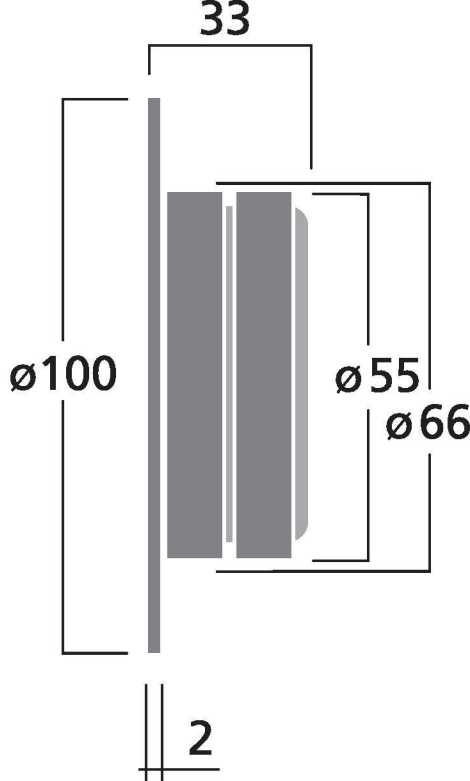
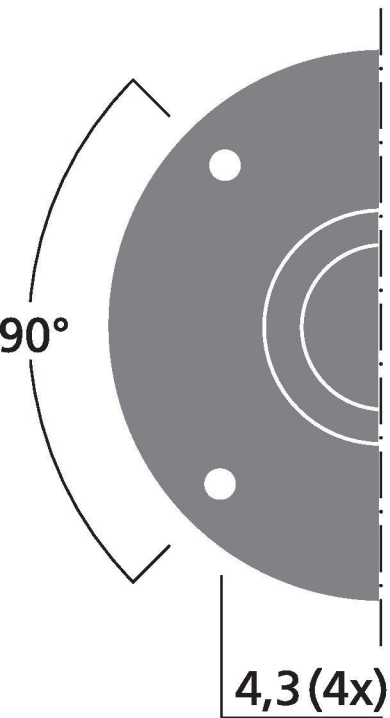
Frequency range	fx-20000 Hz
Resonant frequency (fs)	1500 Hz
Rec. crossov. frequ. (fmax.) (12 dB/oct.)	3000 Hz
Power rating	50 W
Peak music power output	80 W
Sensitivity	91 dB/W/m
Max. rated SPL	-
Max. voltage	-
Radiation angle, horizontal	-
Radiation angle, vertical	-
Suspension compl. (Cms)	-
Moving mass (Mms)	-
Mech. Q factor (Qms)	-
Electr. Q factor (Qes)	-
Total Q factor (Qts)	-
Equivalent volume (Vas)	-
DC resistance (Re)	-
Force factor (BxL)	-
Voice coil induct. (Le)	-
Voice coil diameter	Ø19 mm
Voice coil former	-
Linear excursion (X <sub>MAX</sub> )	-
Eff. cone area (Sd)	-
Magnet weight	-
Magnet diameter	Ø55 mm
Mounting cutout	Ø66 mm
Mounting depth	33 mm
Mounting hole diameter	-
Hole spacing X-axis	-
Hole spacing Y-axis	-
Dimensions	Ø 100 x 33 mm
Outside diameter	Ø100 mm
Width	Ø100 mm
Height	-
Depth	33 mm
Protective class	-
Admiss. ambient temp.	0-40 °C

**DT-19SU**

Weight	0,397 kg
Sales unit	1
Type of speaker	-

\* **Important Notice:** The retail prices shown here are non-binding recommendations that retailers can charge their customers. They are not part of any specific offer or advertisement. These prices include all charges as well as VAT, but do not cover any additional delivery and shipping costs. Our latest price lists for the retail market include all applicable delivery and payment terms for retailers.

**DT-19SU**



DT-19SU (10.1970)

