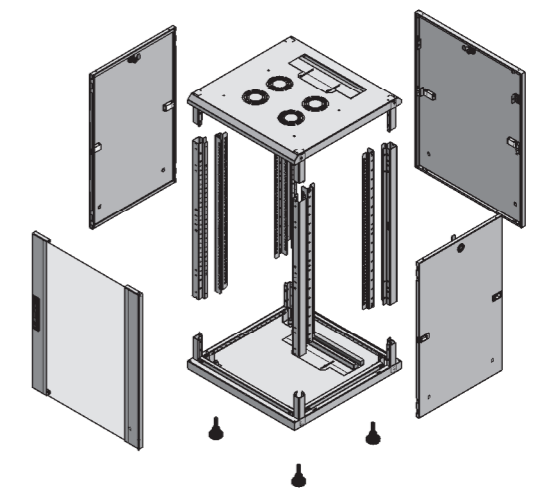


SECTION A-A



UNLESS OTHERWISE SPECIFIED:
 DIMENSIONS ARE IN MILLIMETERS
 Surface finish: μ
 Linear : DIN 7168-m
 Angular : DIN 7168-m
 Hole : DIN 7168-m

SCALE:1:20

MATERIAL: mm

Surface Area : mm²

WEIGHT: gr.



intellinetnetwork.com