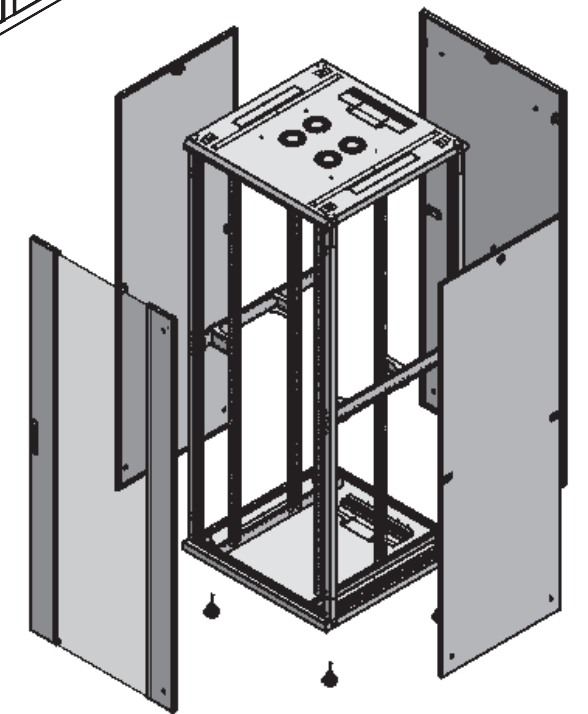


SECTION A-A



UNLESS OTHERWISE SPECIFIED:  
 DIMENSIONS ARE IN MILLIMETERS  
 Surface finish:  $\mu$   
 Linear : DIN 7168-m  
 Angular : DIN 7168-m  
 Hole : DIN 7168-m

SCALE:1:20

MATERIAL: mm

Surface Area : mm<sup>2</sup>

WEIGHT: gr.



intellinetnetwork.com