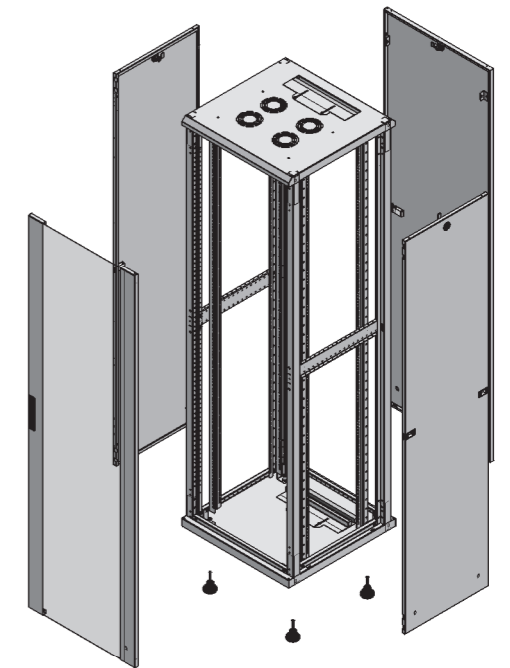


SECTION A-A



UNLESS OTHERWISE SPECIFIED:  
DIMENSIONS ARE IN MILLIMETERS  
Surface finish:  $\mu$   
Linear : DIN 7168-m  
Angular : DIN 7168-m  
Hole : DIN 7168-m

SCALE:1:20

MATERIAL: mm

Surface Area :  $\text{mm}^2$

WEIGHT: gr.



intellinetnetwork.com