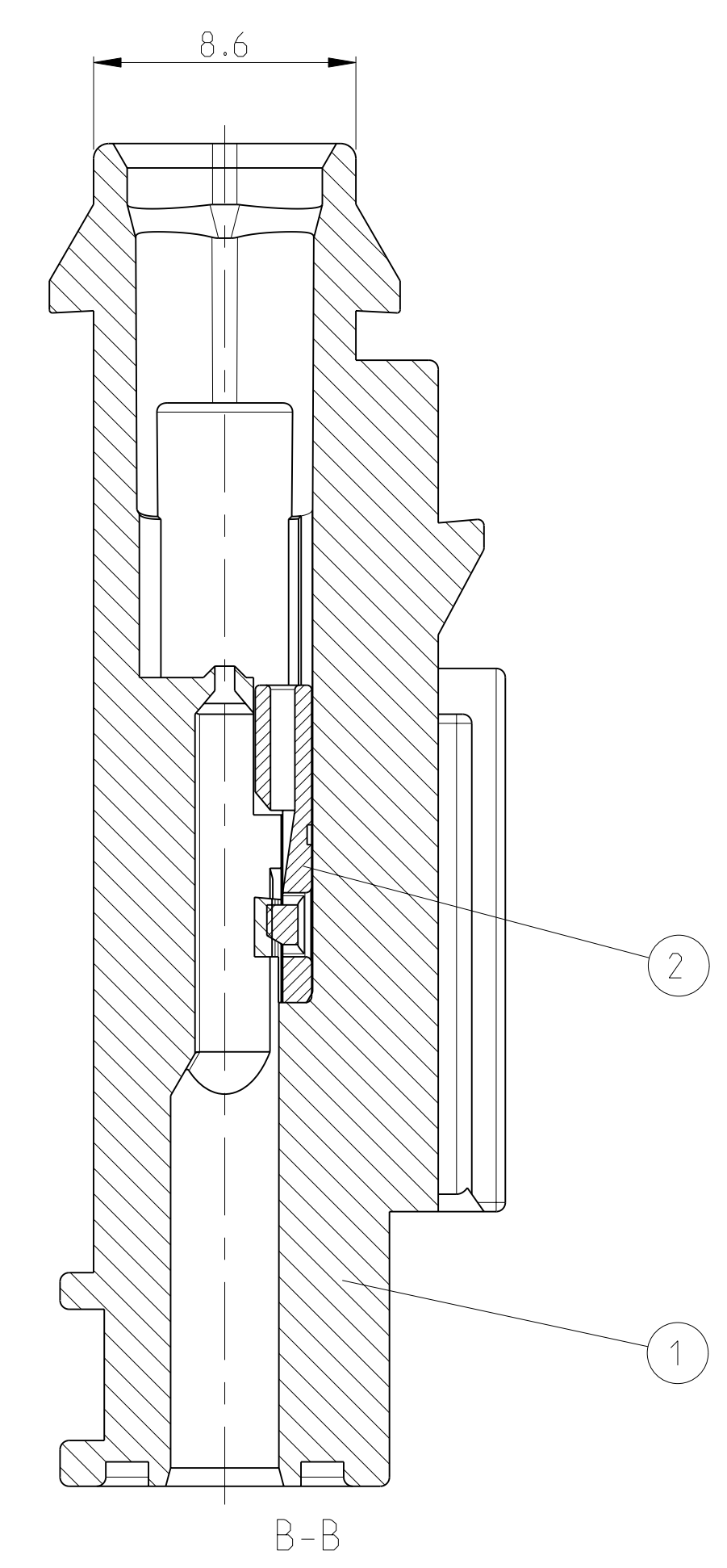
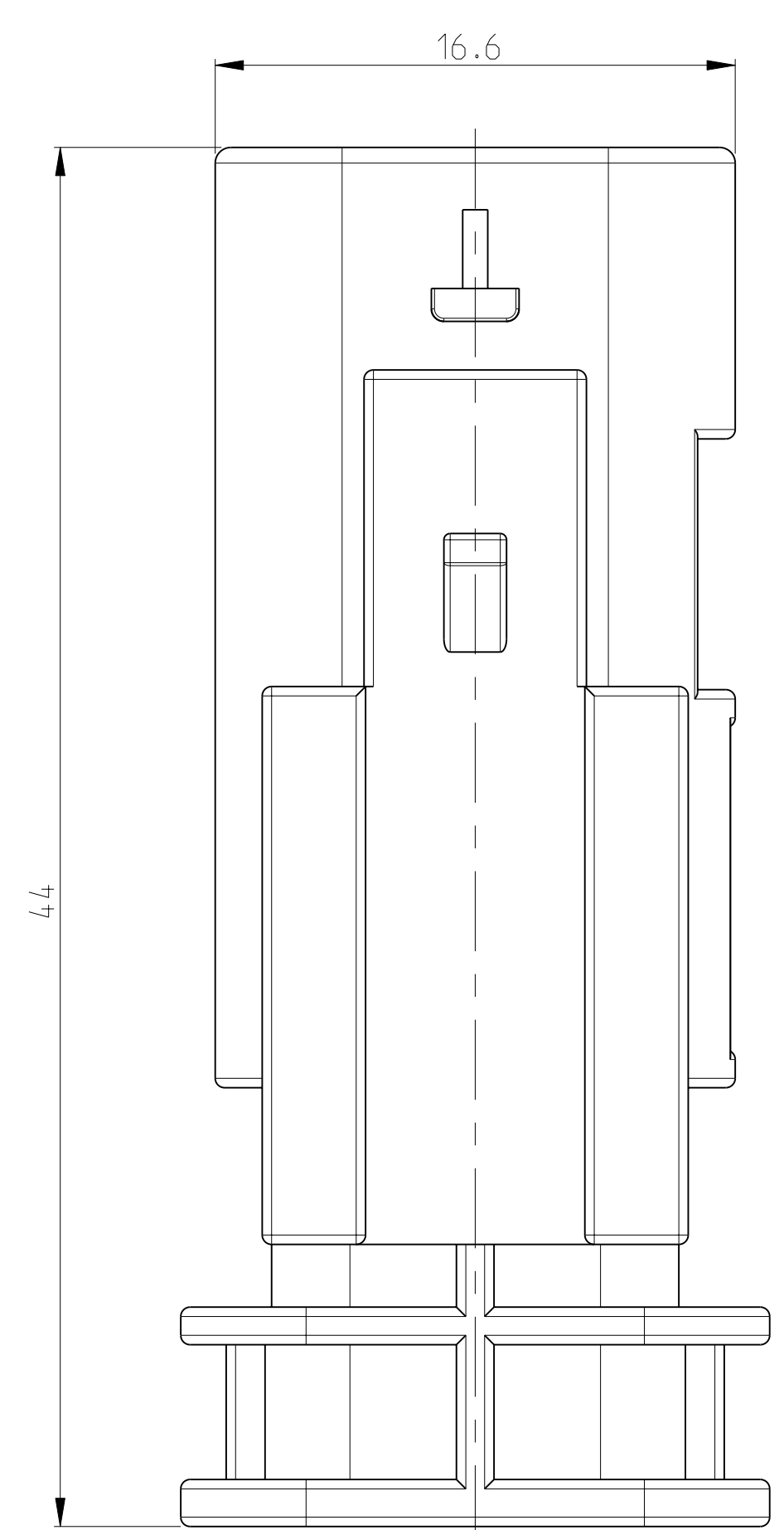
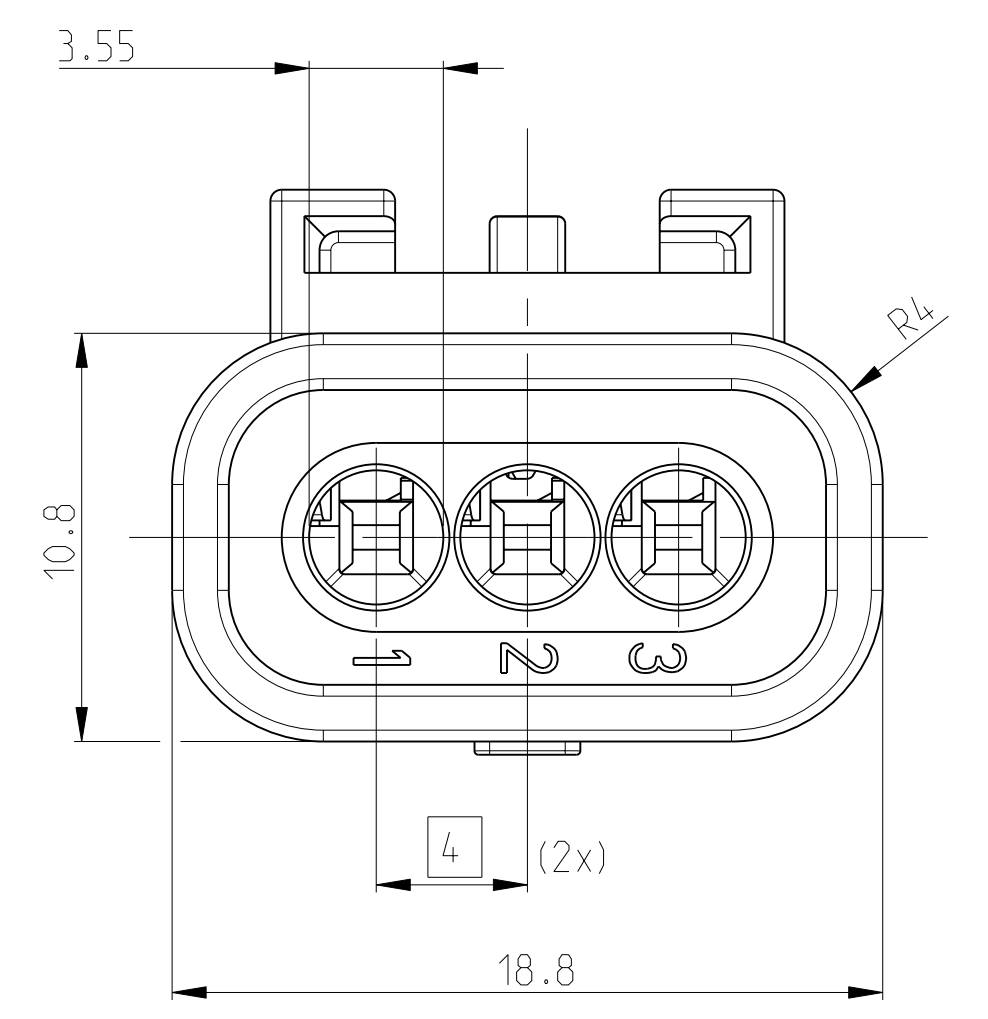
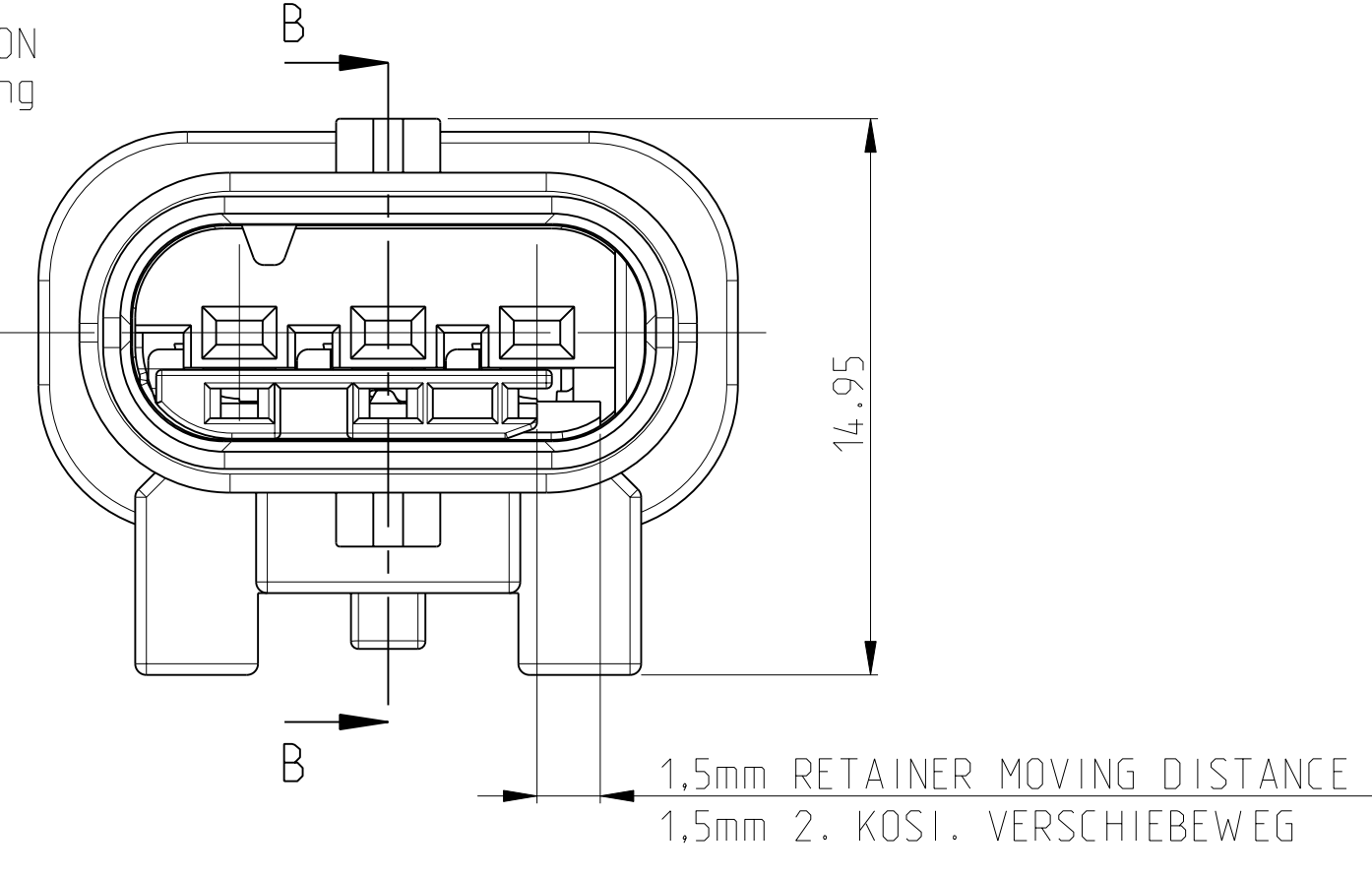


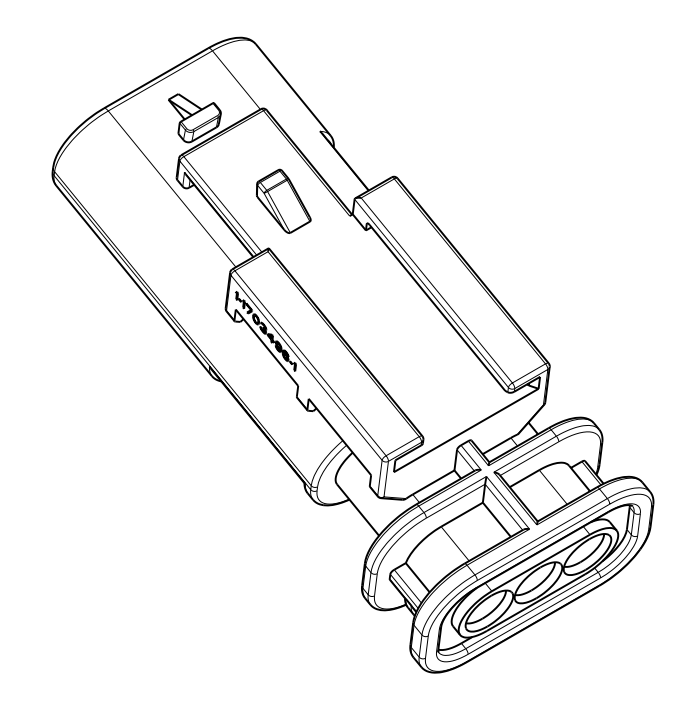
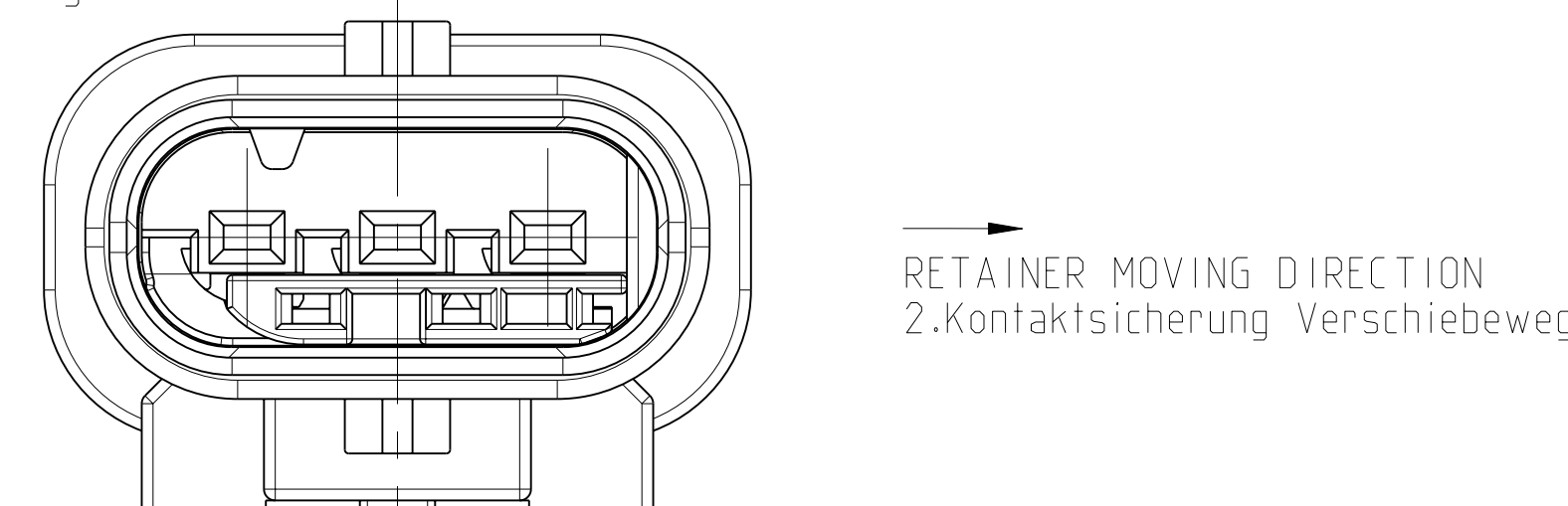
SHOWN 1-1703494-1



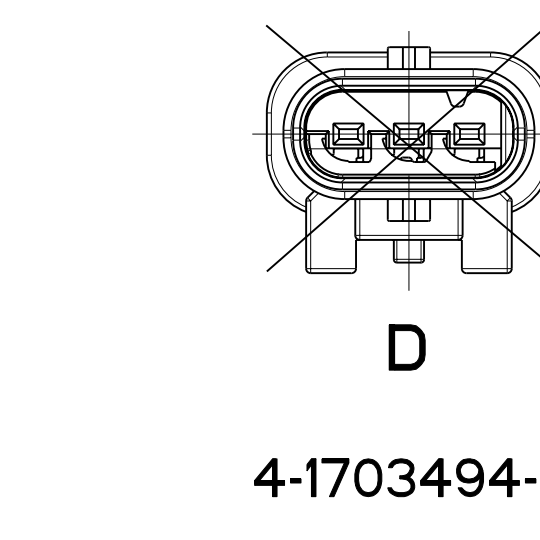
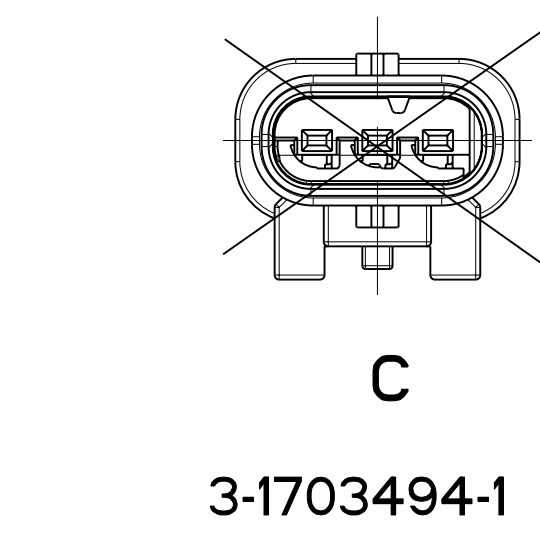
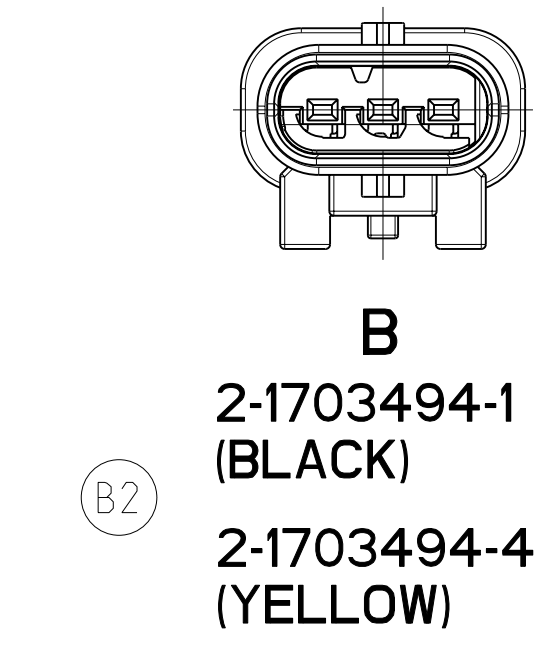
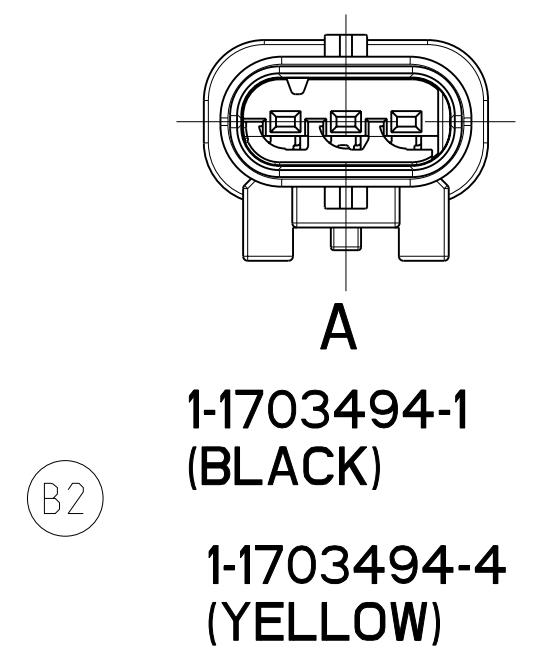
RETAINER IN PRE LOCKED POSITION
Kontaktsicherung in Vorraststellung



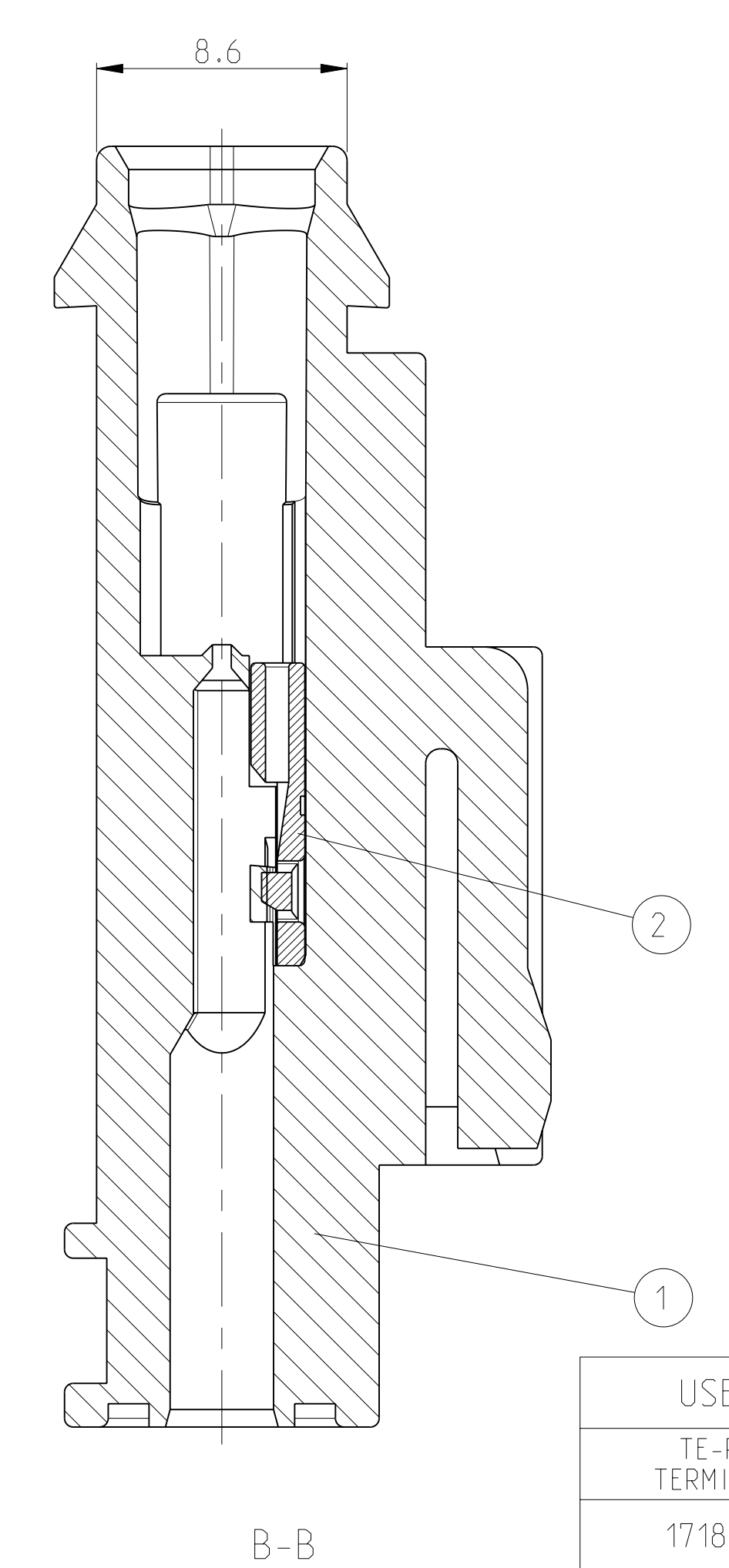
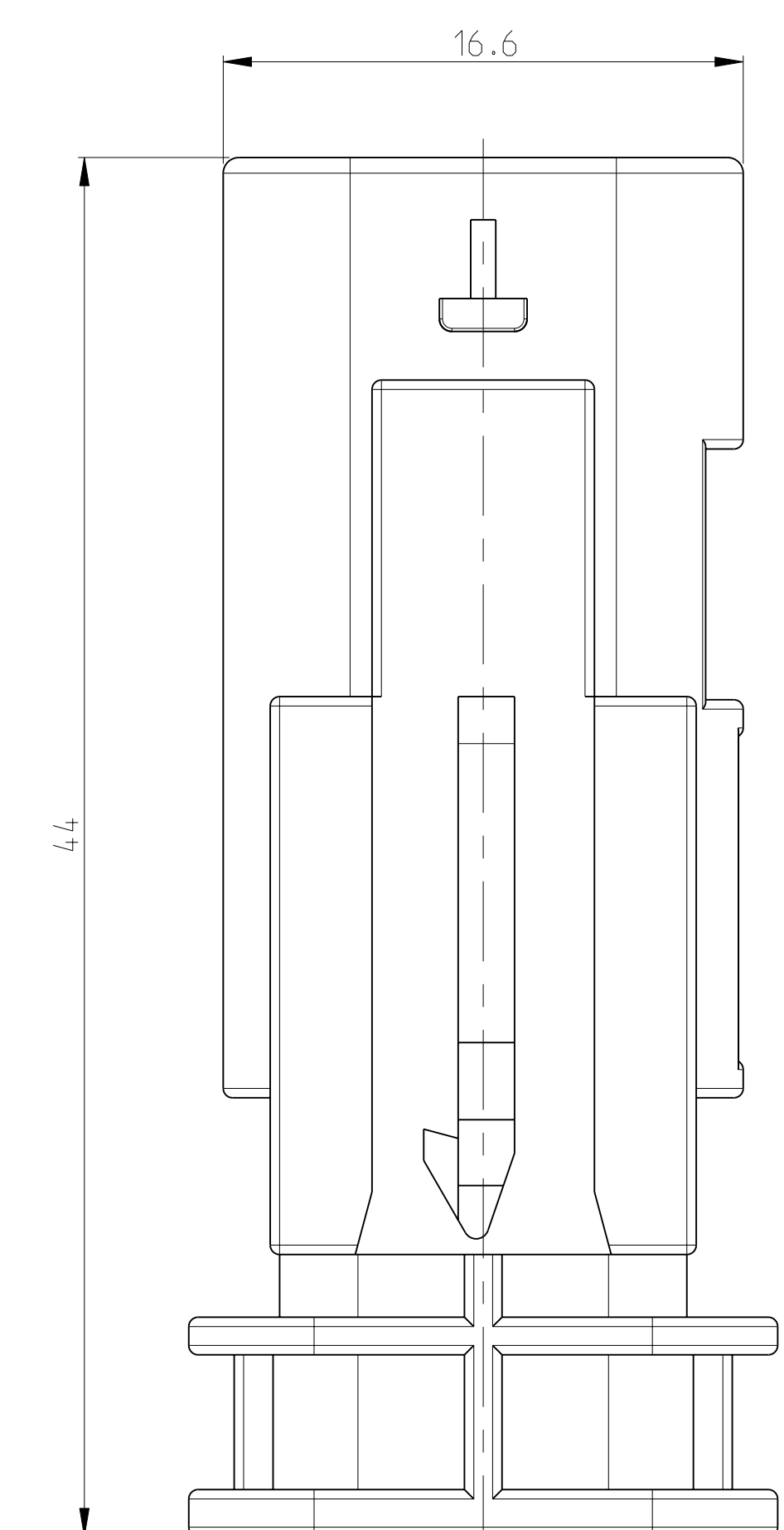
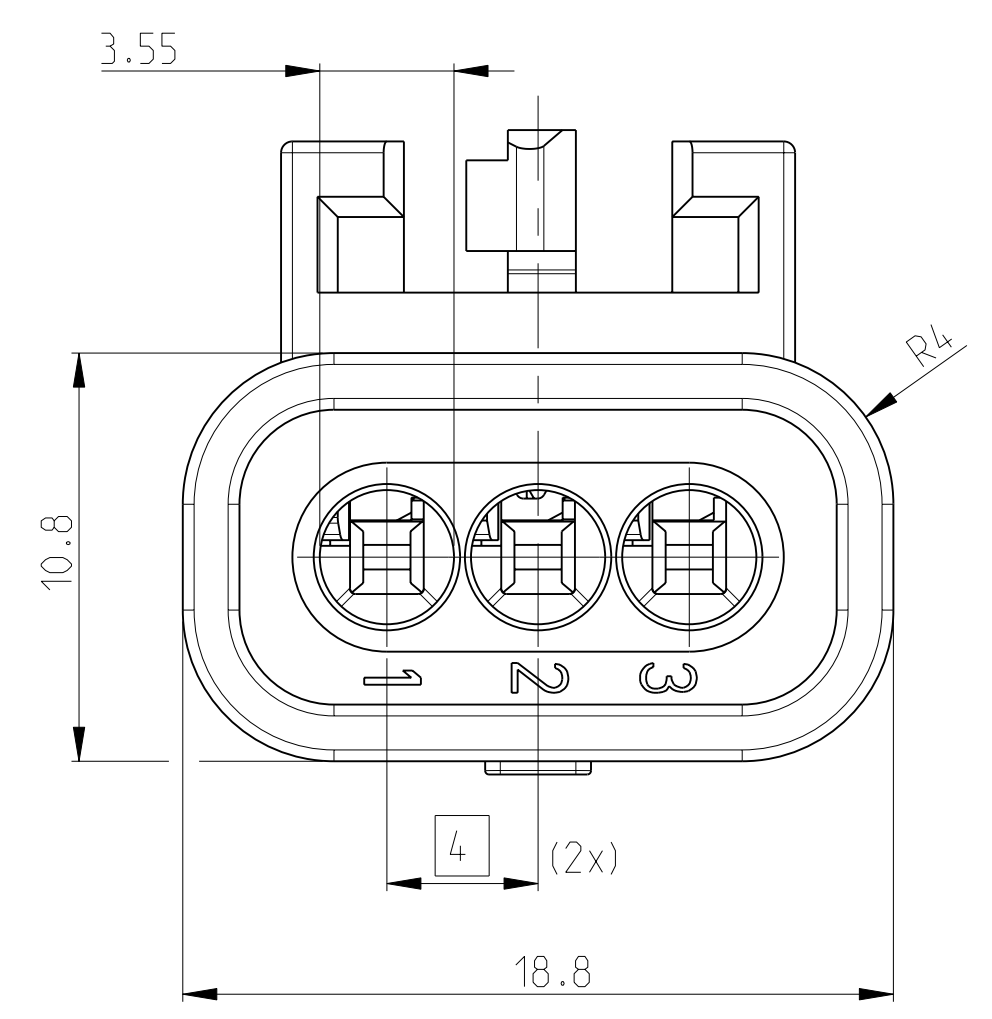
RETAINER IN FINAL LOCKED POSITION
2.Kontaktsicherung in Endraststellung



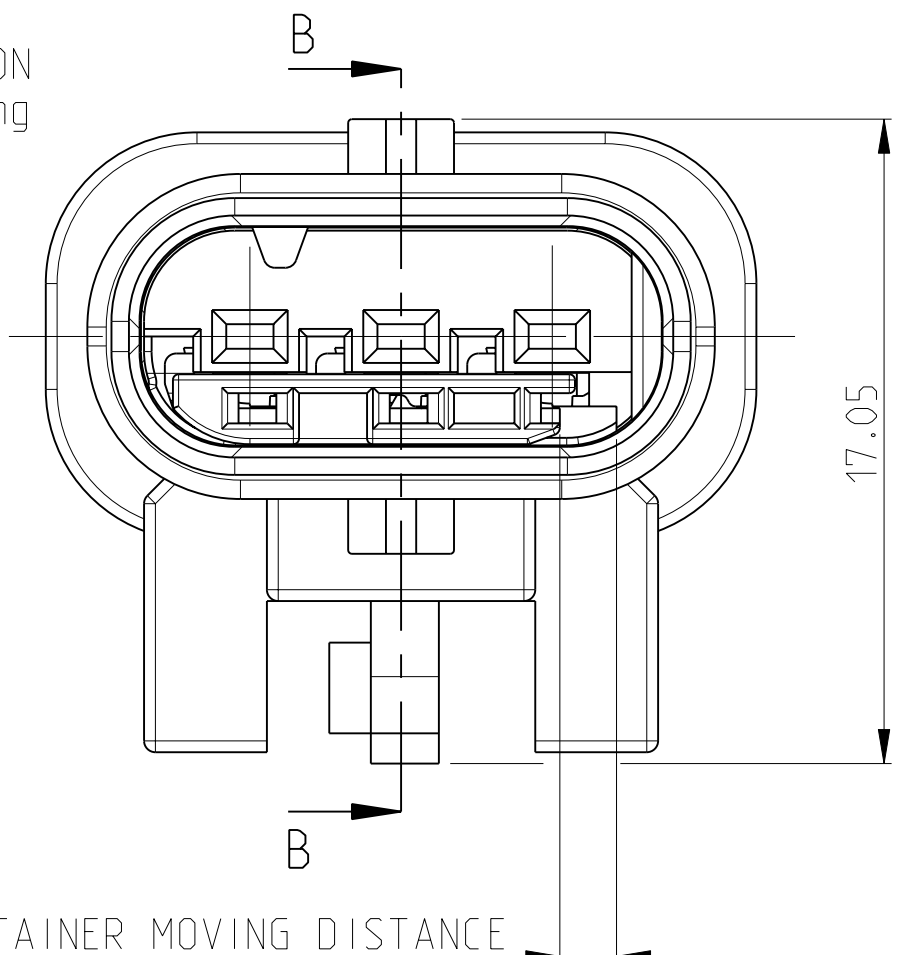
CODINGS KODIERUNGEN M 2:1



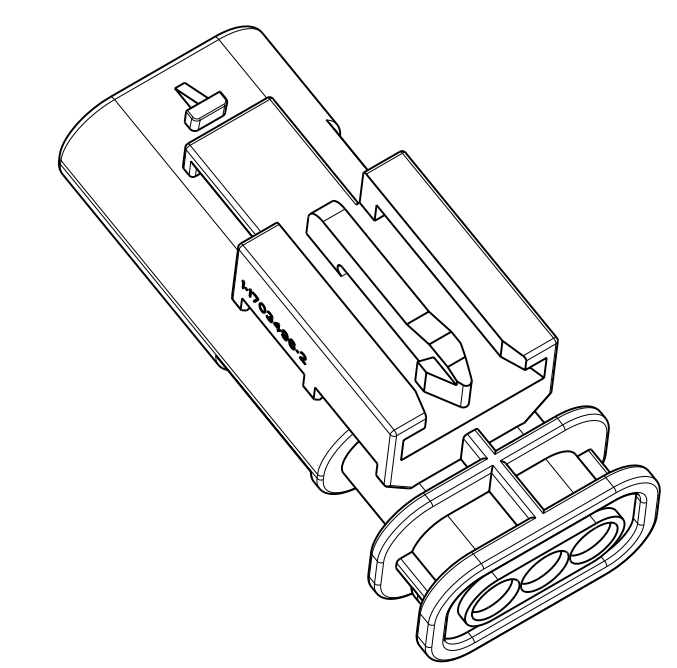
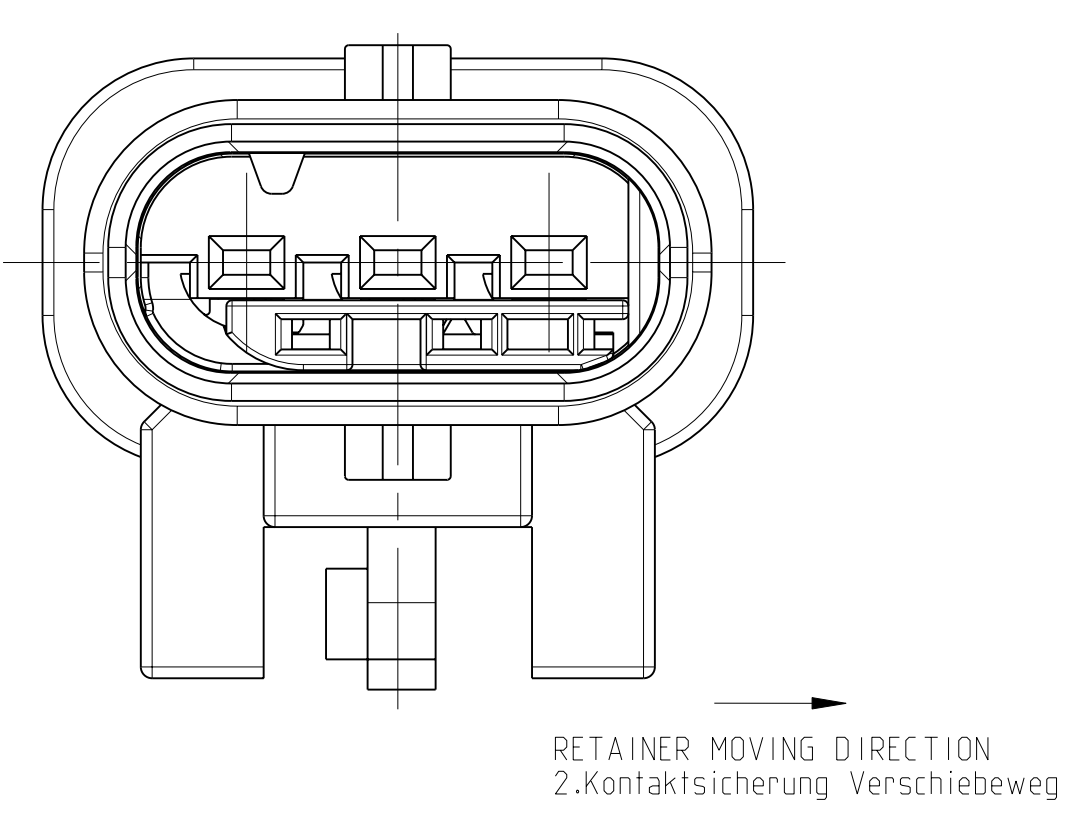
SHOWN 1-1703494-2



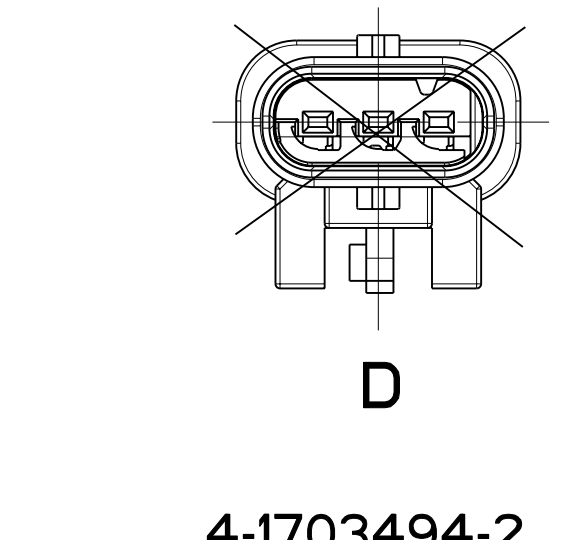
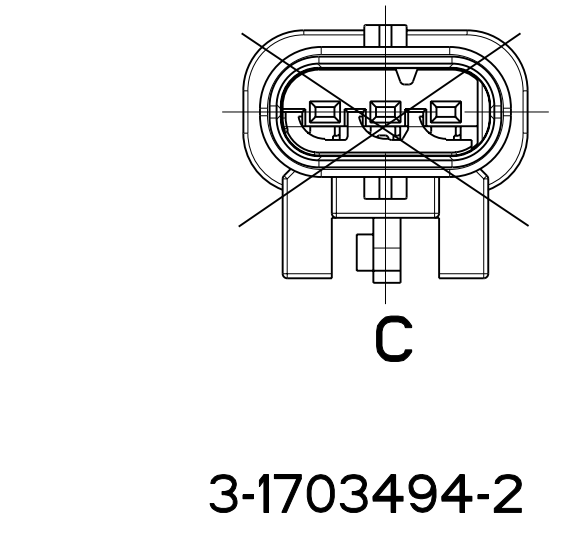
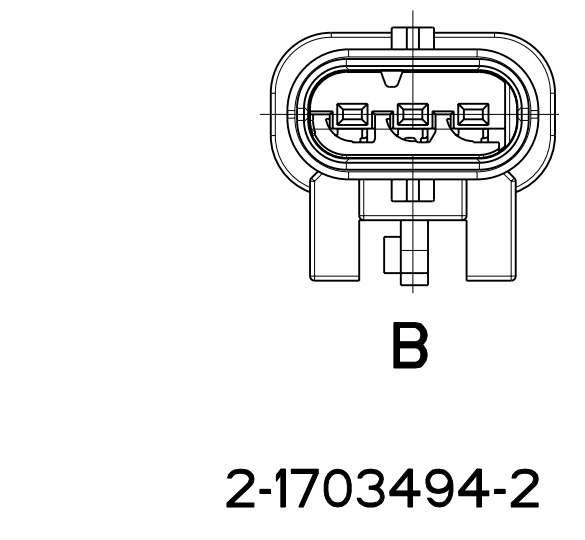
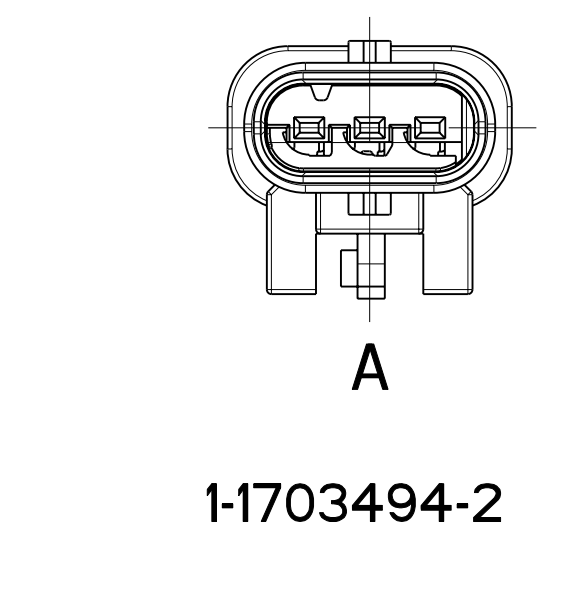
RETAINER IN PRE LOCKED POSITION
Kontaktsicherung in Vorraststellung



RETAINER IN FINAL LOCKED POSITION
2.Kontaktsicherung in Endraststellung



CODINGS KODIERUNGEN M 2:1



USED MCON 1.2mm LL MALE TERMINALS AND SEALS			
TE-PN. TERMINALS	WIRE RANGE	TE-PN. SINGLE WIRE SEAL	TE-PN. BLIND PLUG
1718756	0.14 - 0.22mm ²	967067-2	
1718758	0.25 - 0.35mm ²	967067-2	B2 967056-1
1718760	0.5 - 0.75mm ²	967067-1	
1718762	1mm ²	967067-1	

TERMINAL TE-APPLICATION SPEC.: 114-18464.

TE SUITABLE FEMALE HSG. PASSENDE BUCHSENGEH. ORDER-NO.	TE- Bestell-Nr. ORDER-NO.	CODE	Benennung TITLE	ASSY REV.	QTY	Benennung Einzelteil TITLE	Werkstoff MATERIAL	Oberflaeche/Farbe SURFACE/COLOR	Pos. ITEM	
	1-1703494-2	D	Stiftgehaeuse 3pol. MALE HOUSING 3POS.	B	1	Kontaktsicherung	PA66-GF35	violett/VIOLET	2	
	1-1703494-2	D	Stiftgehaeuse 3pol. MALE HOUSING 3POS.	B	1	Stiftgehaeuse MALE HOUSING	PBT-GF30	schwarz/BLACK	1d	
	3-1703494-2	C	Stiftgehaeuse 3pol. MALE HOUSING 3POS.	B	1	Kontaktsicherung	PA66-GF35	violett/VIOLET	2	
	3-1703494-2	C	Stiftgehaeuse 3pol. MALE HOUSING 3POS.	B	1	Stiftgehaeuse MALE HOUSING	PBT-GF30	schwarz/BLACK	1c	
	2-170917-1	2-1703494-2	B	Stiftgehaeuse 3pol. MALE HOUSING 3POS.	B	1	Kontaktsicherung	PA66-GF35	violett/VIOLET	2
	2-170917-1	2-1703494-2	B	Stiftgehaeuse 3pol. MALE HOUSING 3POS.	B	1	Stiftgehaeuse MALE HOUSING	PBT-GF30	grau/GREY	1b
	1-1670917-1	1-1703494-2	A	Stiftgehaeuse 3pol. MALE HOUSING 3POS.	B	1	Kontaktsicherung	PA66-GF35	violett/VIOLET	2
	1-1670917-1	1-1703494-2	A	Stiftgehaeuse 3pol. MALE HOUSING 3POS.	B	1	Stiftgehaeuse MALE HOUSING	PBT-GF30	schwarz/BLACK	1a
	2-1670917-1	2-1703494-4	B	Stiftgehaeuse 3pol. MALE HOUSING 3POS.	B	1	Kontaktsicherung	PA66-GF35	violett/VIOLET	2
	2-1670917-1	2-1703494-4	B	Stiftgehaeuse 3pol. MALE HOUSING 3POS.	B	1	Stiftgehaeuse MALE HOUSING	PBT-GF30	gelb/YELLOW	1b
	1-1670917-1	1-1703494-4	A	Stiftgehaeuse 3pol. MALE HOUSING 3POS.	B	1	Kontaktsicherung	PA66-GF35	violett/VIOLET	2
	1-1670917-1	1-1703494-4	A	Stiftgehaeuse 3pol. MALE HOUSING 3POS.	B	1	Stiftgehaeuse MALE HOUSING	PBT-GF30	gelb/YELLOW	1b
	4-1703494-1	D	Stiftgehaeuse 3pol. MALE HOUSING 3POS.	B	1	Kontaktsicherung	PA66-GF35	violett/VIOLET	2	
	4-1703494-1	D	Stiftgehaeuse 3pol. MALE HOUSING 3POS.	B	1	Stiftgehaeuse MALE HOUSING	PBT-GF30	schwarz/BLACK	1d	
	3-1703494-1	C	Stiftgehaeuse 3pol. MALE HOUSING 3POS.	B	1	Kontaktsicherung	PA66-GF35	violett/VIOLET	2	
	3-1703494-1	C	Stiftgehaeuse 3pol. MALE HOUSING 3POS.	B	1	Stiftgehaeuse MALE HOUSING	PBT-GF30	schwarz/BLACK	1c	
	2-1670917-1	2-1703494-1	B	Stiftgehaeuse 3pol. MALE HOUSING 3POS.	B	1	Kontaktsicherung	PA66-GF35	violett/VIOLET	2
	2-1670917-1	2-1703494-1	B	Stiftgehaeuse 3pol. MALE HOUSING 3POS.	B	1	Stiftgehaeuse MALE HOUSING	PBT-GF30	grau/GREY	1b
	1-1670917-1	1-1703494-1	A	Stiftgehaeuse 3pol. MALE HOUSING 3POS.	B	1	Kontaktsicherung	PA66-GF35	violett/VIOLET	2
	1-1670917-1	1-1703494-1	A	Stiftgehaeuse 3pol. MALE HOUSING 3POS.	B	1	Stiftgehaeuse MALE HOUSING	PBT-GF30	schwarz/BLACK	1a