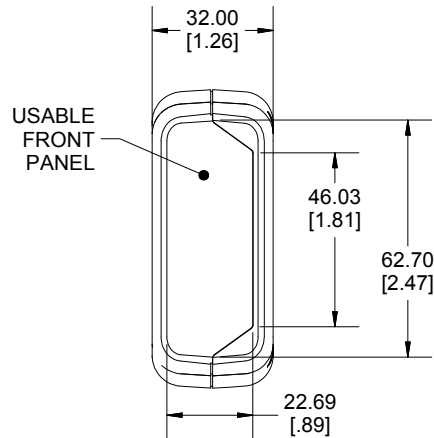
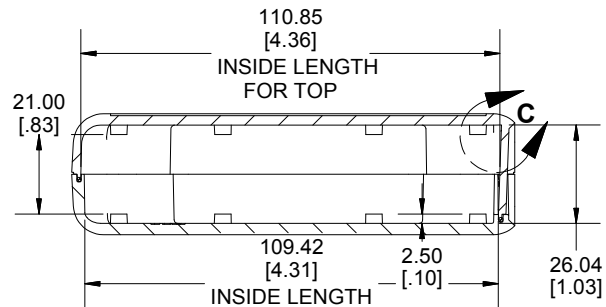


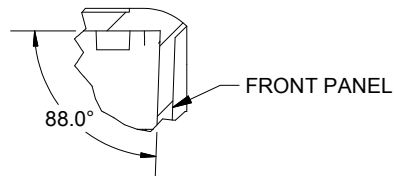
**TOP VIEW**



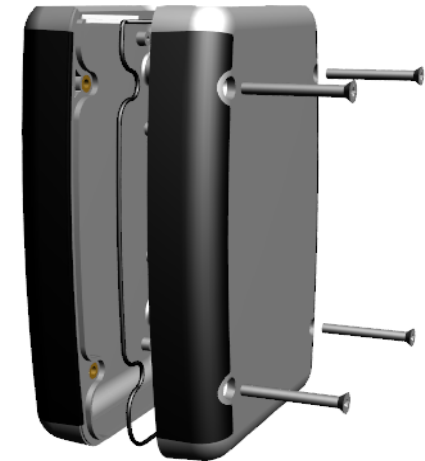
**FRONT VIEW**



**SECTION B-B  
SIDE VIEW**



**DETAIL C  
SCALE 1 : 1**



Enclosures can be Factory Modified ( Milling, Drilling, Printing etc.)  
 Contact Factory [mjm@hammondmfg.com](mailto:mjm@hammondmfg.com) for quotes  
 Solid models of this enclosure available in STEP or IGES.

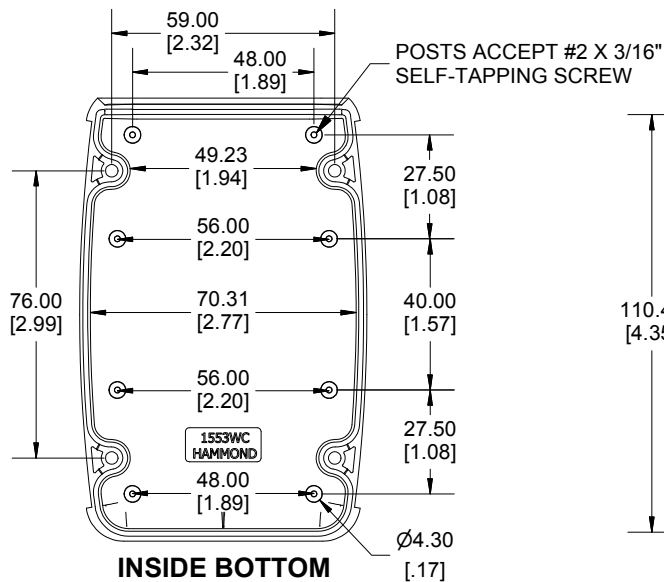
**NOTE**

Enclosure made from FR ABS (UL 94-V0) plastic.

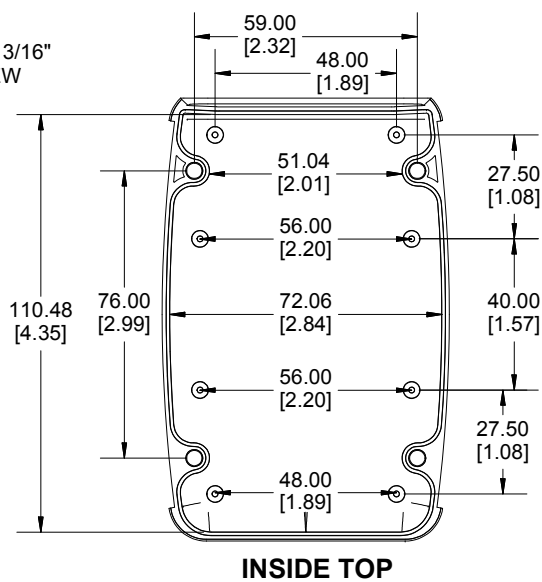
Purchased assembly includes Top, Bottom, Pre-Installed Silicone Gasket,  
 and 4 Cover Screws. M3 Brass Inserts are Pre-Installed.

**Recommended Cover screw torque -- 2.5 lbf-in (30 cN-m)**

PART NUMBER	
1553WC Regular Enclosure	
Black Enclosure/Grey Over-mold	1553WCBK
Grey Enclosure/Grey Over-mold	1553WCGY
ACCESSORIES	
Silicone Pre-formed Gaskets (Pkg 2)	1553WCGASKET
Stainless Steel Cover screw (Pkg 100) [M3-0.5 X 20mm]	SC1553WC100BK (Black)
P.C. Board Self Tapping Screw [#2 X 3/16" (6.4mm) Plated]	1551ATS100 (Pkg 100)



**INSIDE BOTTOM**



**INSIDE TOP**

Dimensions:  
mm  
[inches]

