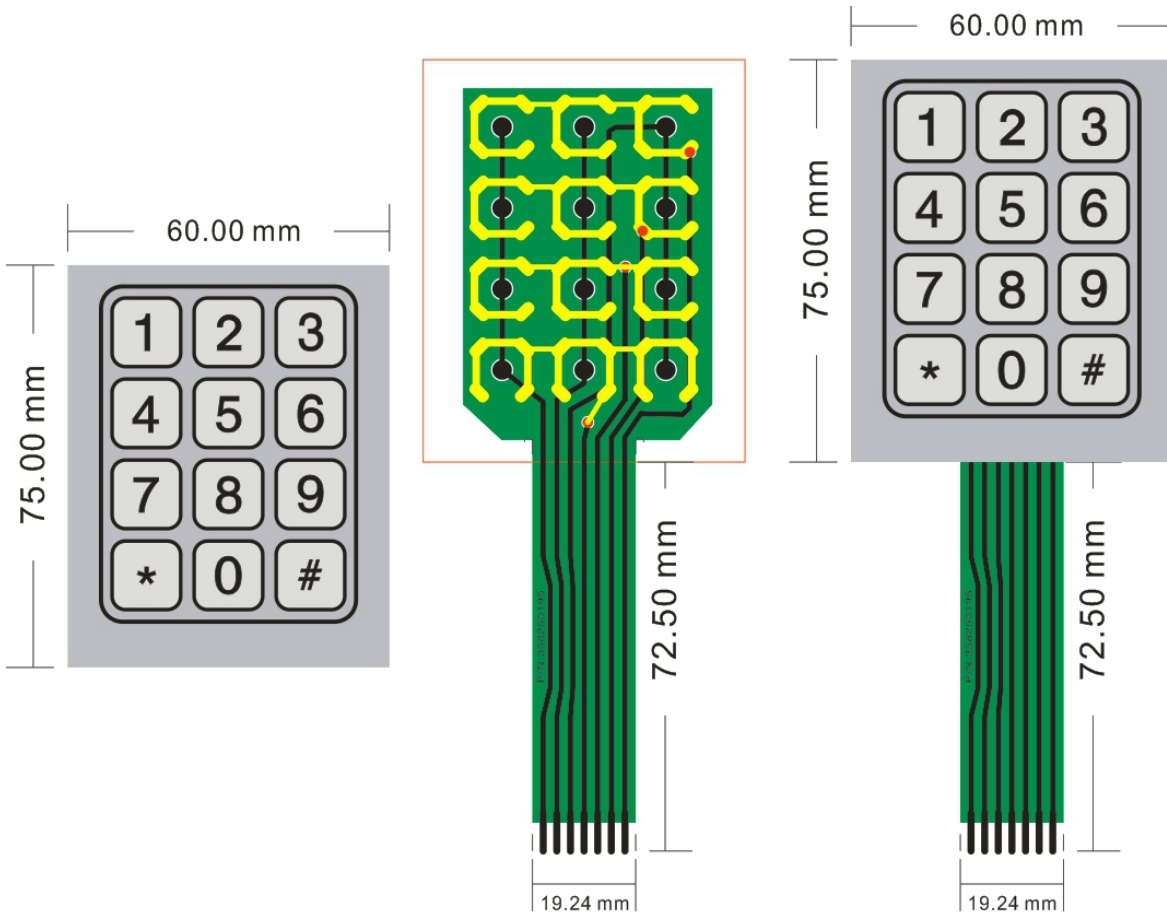


## Membrane Keypad

Version 02/15

Item no. 1341282



Gram Force .....	280g +/- 12g
Voltage Rating .....	30 V/DC max.
Current Rating .....	30mA max.
Contact Resistance .....	<50 ohm
Insulation Resistance .....	>100 M-ohm
Operating Temperature .....	-20°C ~ 60°C

### Distributed by Conrad Electronic SE

This data sheet is a publication by Conrad Electronic SE, Klaus-Conrad-Str. 1, D-92240 Hirschau (www.conrad.com). All rights including translation reserved. Reproduction by any method, e.g. photocopy, microfilming, or the capture in electronic data processing systems require the prior written approval by the editor. Reprinting, also in part, is prohibited. This data represent the technical status at the time of printing. Changes in technology and equipment reserved.