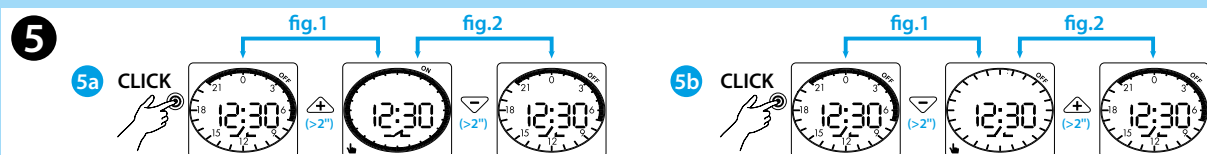
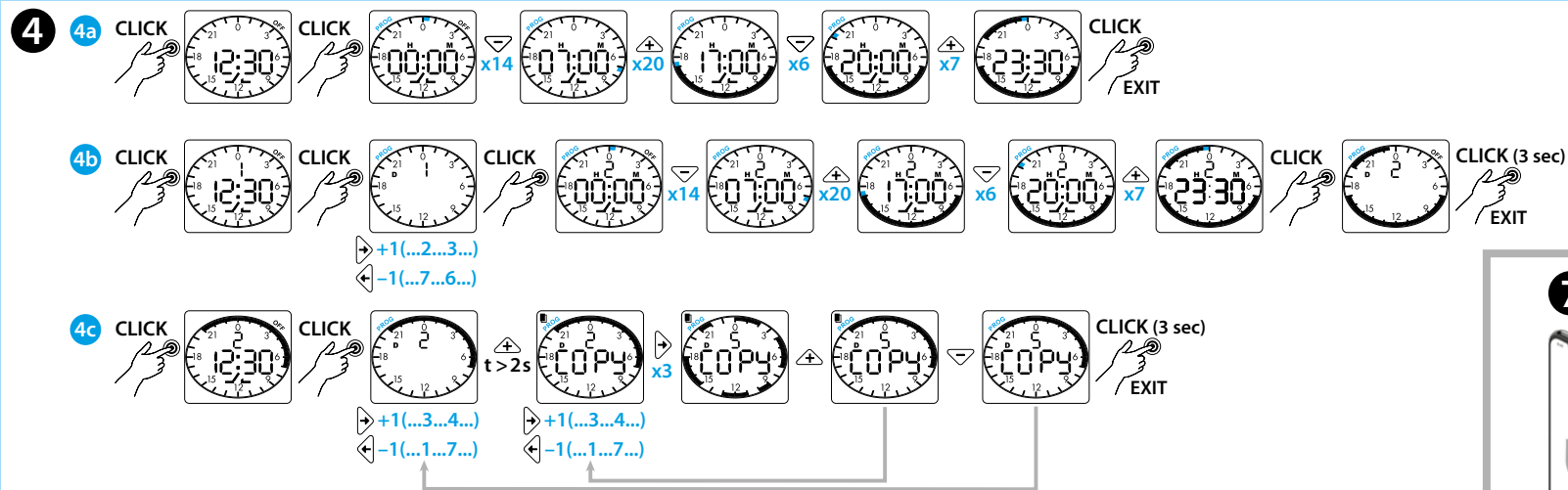
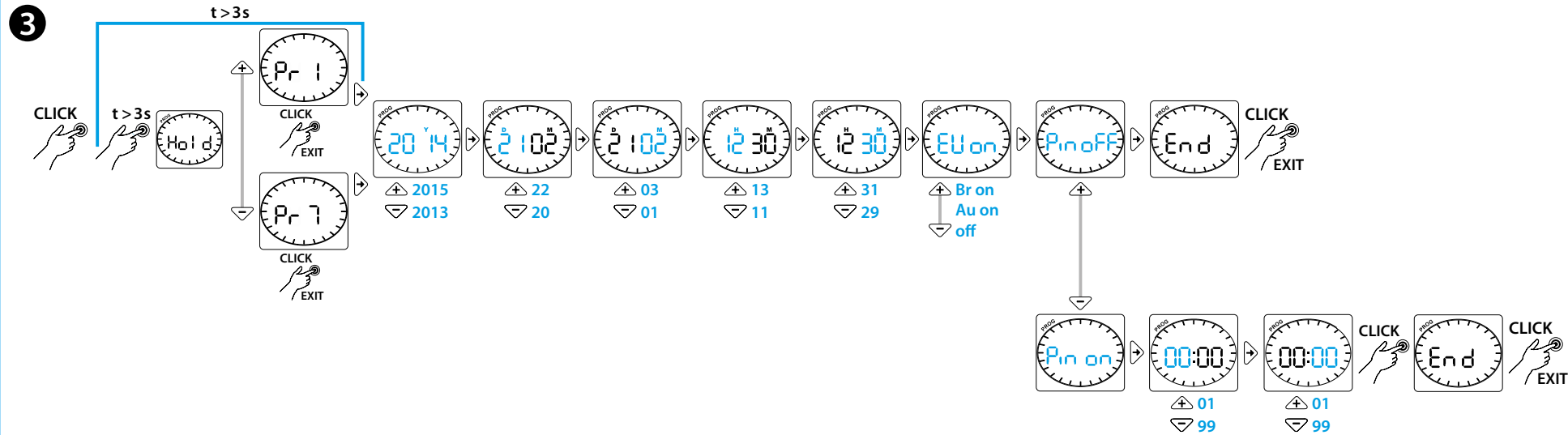
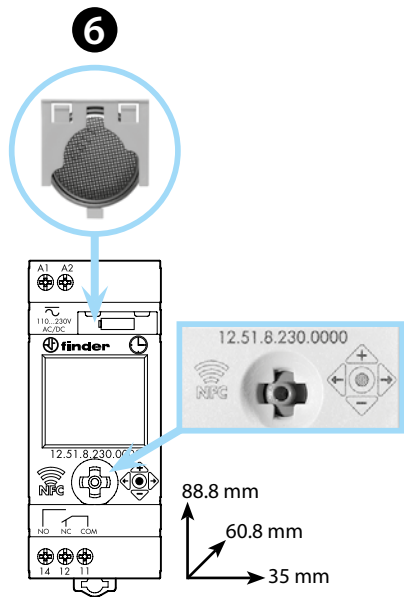
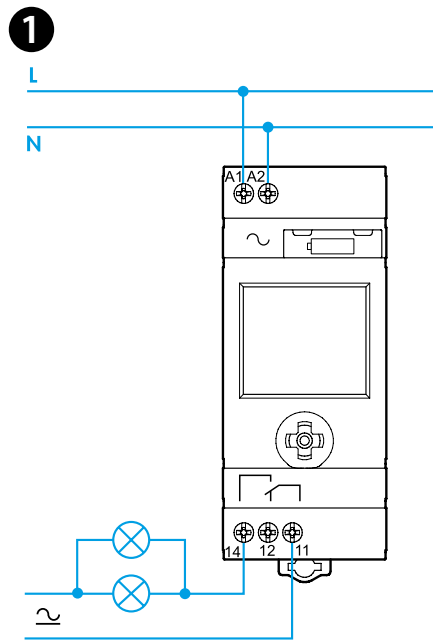
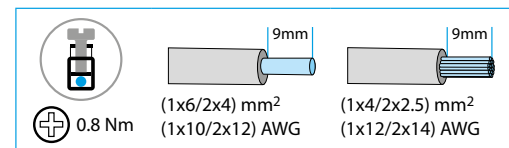
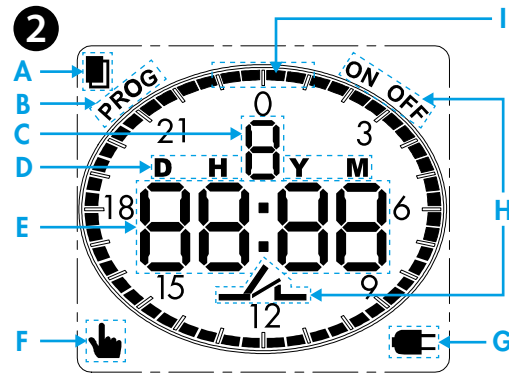




12.51

EN 60669 - 1 / EN 60669 - 2 - 1	
	12.51.8.230.0000 U _N 110...230 V AC (50/60 Hz) / DC U _{min} 90 V AC / DC U _{max} 264 V AC / DC P 2.8 VA (50 Hz) / 0.9 W
	1 CO (SPDT) 16 A 250 V AC
	AC1 4000 VA AC15 (230 V AC) 750 VA
	(230 V) 2000 W (230 V) 750 W CFL - LED (230 V) 400 W
	(-20...+50)°C
IP20	



ENGLISH

12.51 DIGITAL TIME SWITCH DAILY/WEEKLY PROGRAMMING

- 1 WIRING DIAGRAM**
- 2 DISPLAY LEGEND**
 - A COPY function
 - B Programming
 - C Day of the week (1 = MON ... 7 = SUN)
 - D = day - H = hour - Y = year - M = minutes / month
 - E PIN - Pr - year - day - month - hour - minutes - summer time - END
 - F MANUAL mode
 - G Time switch without power supply. Powered by battery
 - H Current contact state
 - I Current state / programming of the segments
 - black square - □white square=OFF
- 3 SETTINGS (example)**

Push the joystick to activate the display. Push >3s to display Pr.

Using the joystick set the following data:

 - Pr1: DAILY program
 - Pr7: WEEKLY program
 - Y = year - D = day - M = month - H = hour - M = minutes
 - Summer time: automatic change with EU(Europe) / Br(Brazil) / Au(Australia) ON
 - PIN OFF / PIN ON (on PIN ON set a number to lock/unlock the timer)
- 4 PROGRAMMING (examples)**
 - 4a DAILY program:** push the joystick to activate the display. Push it again to view the hour 00:00. Use the joystick to set the program required.
Example: (ON from 07:00 to 17:00)/(ON from 20:00 to 23:30)
 - 4b WEEKLY program:** push the joystick to activate the display. Push it again to view the current day. Use the joystick to first select appropriate day, and then set the program required. Example: Tuesday (ON from 07:00 to 17:00) / (ON from 20:00 to 23:30). Repeat for other days.
 - 4c COPY Function:** push the joystick to activate the display. Push again to view the current day, and then select the day to be copied. Copy by pulling the joystick to the + symbol. Then select the day to which the program is to be pasted, and then press the joystick to the + symbol to paste program. To exit, pull the joystick to the - symbol and then press it. [example: copy Tuesday (2) program into Thursday (5)].
- 5 SETTING MANUAL MODE**
 - 5a** Push the joystick to activate the display. Push it towards the + symbol for 2 seconds to activate **manual ON** (fig.1). To deactivate, push the joystick towards the - symbol for 2 seconds (fig.2).
 - 5b** Push the joystick to activate the display. Push it towards the - symbol for 2 seconds to activate **manual OFF** (fig.1). To deactivate, push the joystick towards the + symbol for 2 seconds (fig.2).
- 6 Battery replacement**

BATTERY CR 2032 (LiMnO₂) 3V, 230mAh.
Complies with Article 11, EU directive 2006/66/CE.
Dispose of batteries according to local regulations.

NOTE

- Back-light display (only with power supply)
- Minimum switching interval: 30 min
- Power back-up (Battery life): 6 years

7 Programmable with NFC technology by the App **FINDER TOOLBOX** downloaded from Google Play™ - Apple Store.