

4

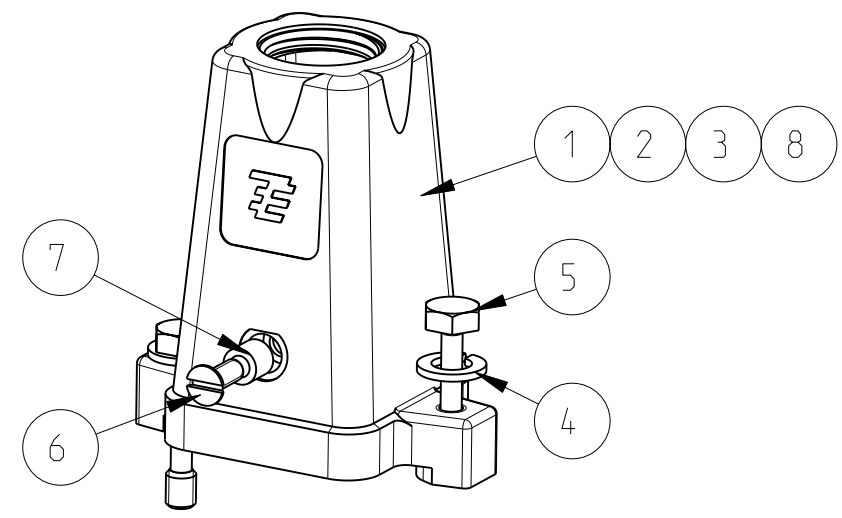
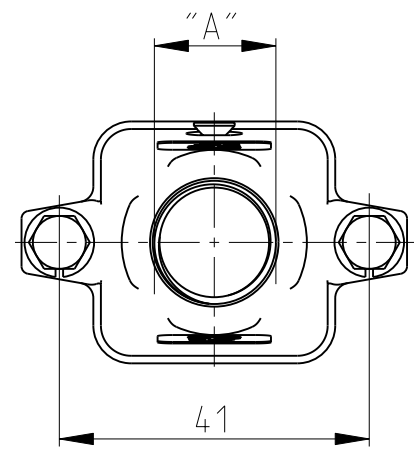
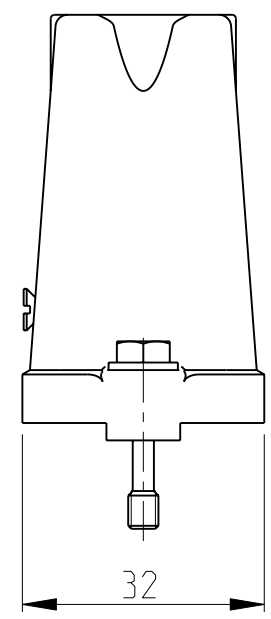
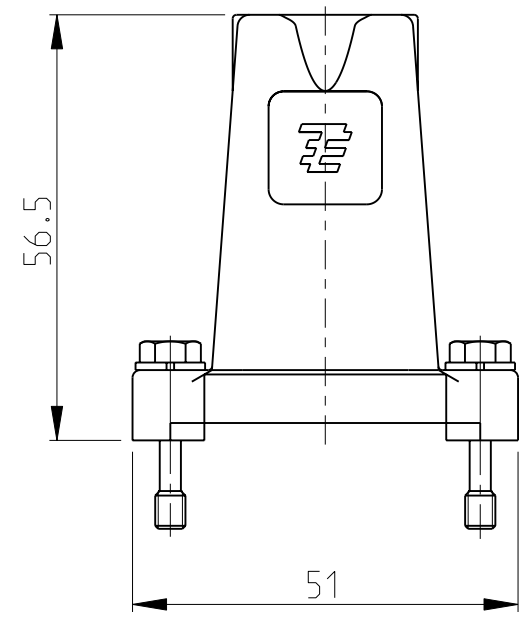
3

2

1

THIS DRAWING IS UNPUBLISHED. RELEASED FOR PUBLICATION 2006
 © COPYRIGHT 2006 BY TYCO ELECTRONICS CORPORATION. ALL RIGHTS RESERVED.

LOC	DIST	REVISIONS				
P	LTR	DESCRIPTION	DATE	DWN	APVD	
A3		ECR-09-023155	22OCT2009	VG	AR	
A4		ECR-10-009092	24MAR2010	RO	BR	



PN 0-1 AS SHOWN

Notes

- SUITABLE HOUSINGS: SERIES HIP, SIZE 1
CUSTOMER DRAWING 1102603, 1102602
- STANDARDS:
DIN EN 61984, DIN EN 60664-1
- TOOL:
SLOTTED SCREW DRIVER 4,0x0,8
HEXAGON SCREW DRIVER 7mm
- VARNISH ON INSIDE AREA NOT NECESSARY
- PACKAGING:
10 SETS IN A CARTON, PRE-MOUNTED

PART NO.	ORDERING TEXT
0-1106408-4	HIP-K.3/4.ST-N
0-1106408-3	HIP-K.3/4.STO.1.M20.G
0-1106408-2	HIP-K.3/4.STO.1.M16.G
0-1106408-1	HIP.3/4.STO.1.M16.G

QTY	PN	DESCRIPTION	Dim.	MATERIAL	COLOR/SURFACE	NOTE	ITEM
1	-	CONNECTOR HOUSING	-	ALU ALLOY	BLACK	SERIES HIP-K, SIZE 1, W/O LOGO AND THREAD	8
1	1	HOSE SECTION	-	FKM	BLACK	SERIES HIP, Ø3x1x4.5	7
1	1	SCREW, SLOTTED COUNTERS. FLAT HEAD	-	STAINL. STEEL	BLANK	M3x8 DIN EN ISO 2009	6
2	2	SCREW, HEXAGON BOLT	-	STAINL. STEEL	BLANK	M4x22 DIN EN ISO 7964, REDUCED SHUNK	5
2	2	WASHER, PLAIN	-	STAINL. STEEL	BLANK	A4, DIN EN ISO 7989. 200HV	4
-	1	CONNECTOR HOUSING	M20	ALU ALLOY	BLACK	SERIES HIP-K	3
-	-	CONNECTOR HOUSING	M16	ALU ALLOY	BLACK	SERIES HIP-K	2
-	-	CONNECTOR HOUSING	M16	ALU ALLOY	GREY	SERIES HIP	1

PARTS LIST (PER ONE UNIT)

<small>THIS DRAWING IS A CONTROLLED DOCUMENT FOR TYCO ELECTRONICS CORPORATION IT IS SUBJECT TO CHANGE AND THE CONTROLLING ENGINEERING ORGANIZATION SHOULD BE CONTACTED FOR THE LATEST REVISION.</small>		DWN V.GLUMM 13AUG2009 CHK H.Braun 13AUG2009 APVD T.Schnurpfeil 13AUG2009	tyco Electronics AMP GmbH 53757 Sankt Augustin (Germany)
DIMENSIONS: mm 	TOLERANCES UNLESS OTHERWISE SPECIFIED: 0 PLC ±- 1 PLC ±- 2 PLC ±- 3 PLC ±- 4 PLC ±- ANGLES ±1°	PRODUCT SPEC - APPLICATION SPEC - WEIGHT -	NAME CONNECTOR HOUSING ASS'Y, TOP ENTRY SERIES HIP, SIZE 1, M16 / M20 METRIC SIZE A3 CAGE CODE 00779 DRAWING NO ©=1106408 RESTRICTED TO -
MATERIAL -	FINISH -	CUSTOMER DRAWING	SCALE 1:1 SHEET 1 OF 1 REV A4