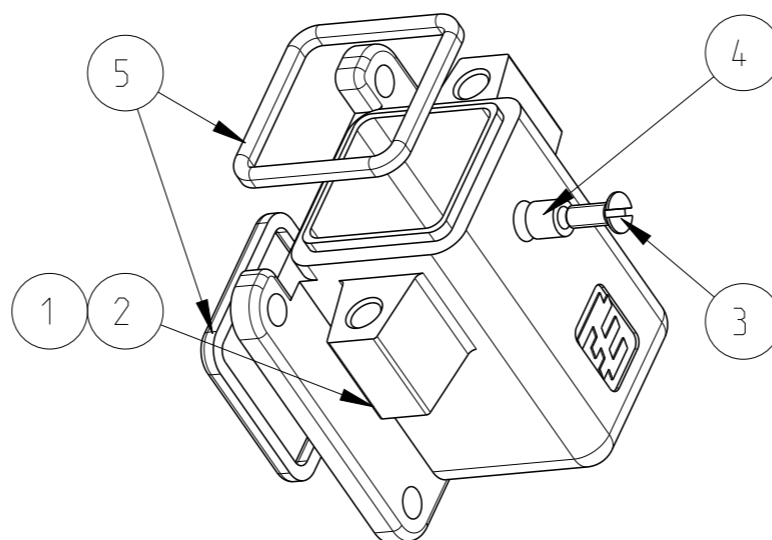
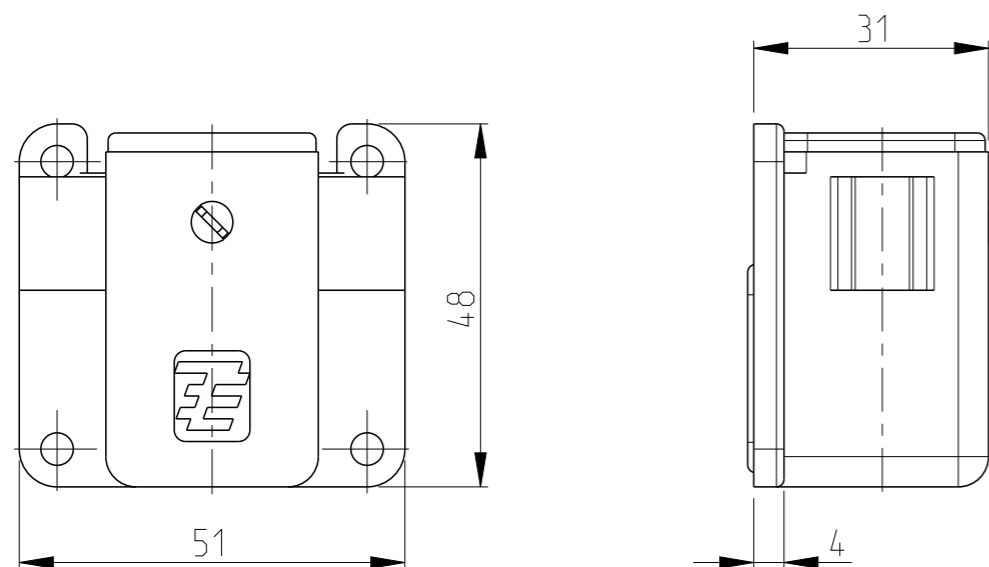


LOC  
A1

DIST  
-

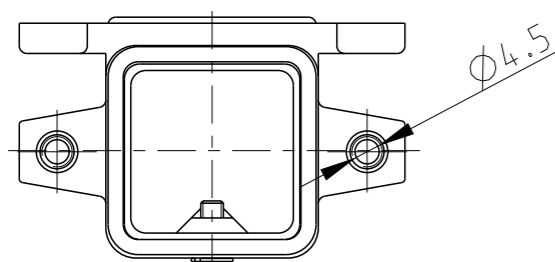
REVISIONS

P	LTR	DESCRIPTION	DATE	DWN	APVD
	A7	ECR-09-023155	22OCT2009	VG	AR
	A8	ECR-14-006716	15MAY2014	RK	MKO



Notes

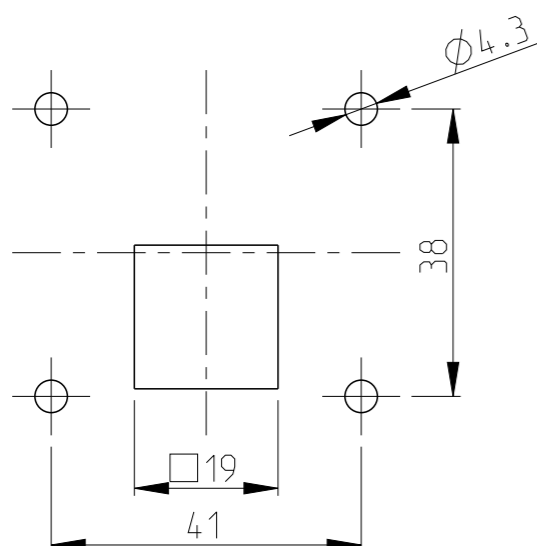
- 1 SUITABLE HOUSINGS: SERIES EMV, SIZE 1  
CUSTOMER DRAWING 1102700, 1106402, 1106200
- 2 STANDARDS:  
DIN EN 61984, DIN EN 60664-1
- 3 SUR TEC 650 CHROMIT AL TCP PASSIVATION
- 4 TOOL:  
SLOTTED SCREW DRIVER 4,0x0,8
- 5 VARNISH ON INSIDE AREA NOT NECESSARY
- 6 PACKAGING:  
10 SETS IN A CARTON, PRE-MOUNTED



PN 4-5 AS SHOWN

3-1102702-5	EMV.3/4.SGF
4-1102702-5	EMV-K.3/4.SGF
PART NO.	ORDERING TEXT

PANEL-CUT-OUT



PN/QTY	DESCRIPTION	MATERIAL	COLOR/SURFACE	NOTE	ITEM
2	2 PROFILE SEAL	FKM	BLACK	SERIES EMV / HIP	5
1	1 HOSE SECTION	FKM	BLACK	SERIES EMV / HIP $\varnothing 3 \times 1 \times 4.5$	4
1	1 SCREW, SLOTTED COUNTERS. FLAT HEAD	STAINL. STEEL	BLANK	M3x8 DIN EN ISO 2009	3
1	1 ANGLED BULKHEAD HOUSING	ALU	BLACK SEE NOTE 3	SERIES EMV-K	2
-	1 ANGLED BULKHEAD HOUSING	ALU	GREY	SERIES EMV	1

PARTS LIST (PER ONE UNIT)

THIS DRAWING IS A CONTROLLED DOCUMENT.

DWN V.GLUMM 25AUG2009

CHK H.Braun 25AUG2009

APVD T.Schnurpfeil 25AUG2009

PRODUCT SPEC

APPLICATION SPEC

WEIGHT

Customer Drawing

**STE** TE Connectivity

NAME  
ANGLED BULKHEAD HOUSING ASS'Y  
BOTTOM ENTRY, SERIES EMV, SIZE 1

SIZE CAGE CODE DRAWING NO RESTRICTED TO

A3 00779 C-1102702

SCALE 1:1 SHEET 1 OF 1 REV A8

DIMENSIONS:  
mm



TOLERANCES UNLESS OTHERWISE SPECIFIED:

0 PLC	±-
1 PLC	±-
2 PLC	±-
3 PLC	±-
4 PLC	±-
ANGLES	±1°
FINISH	-

MATERIAL -