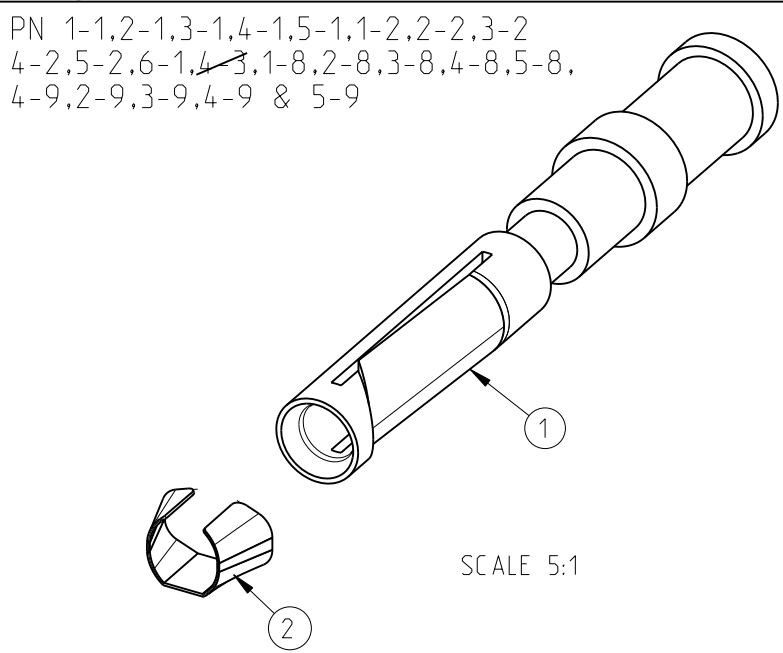
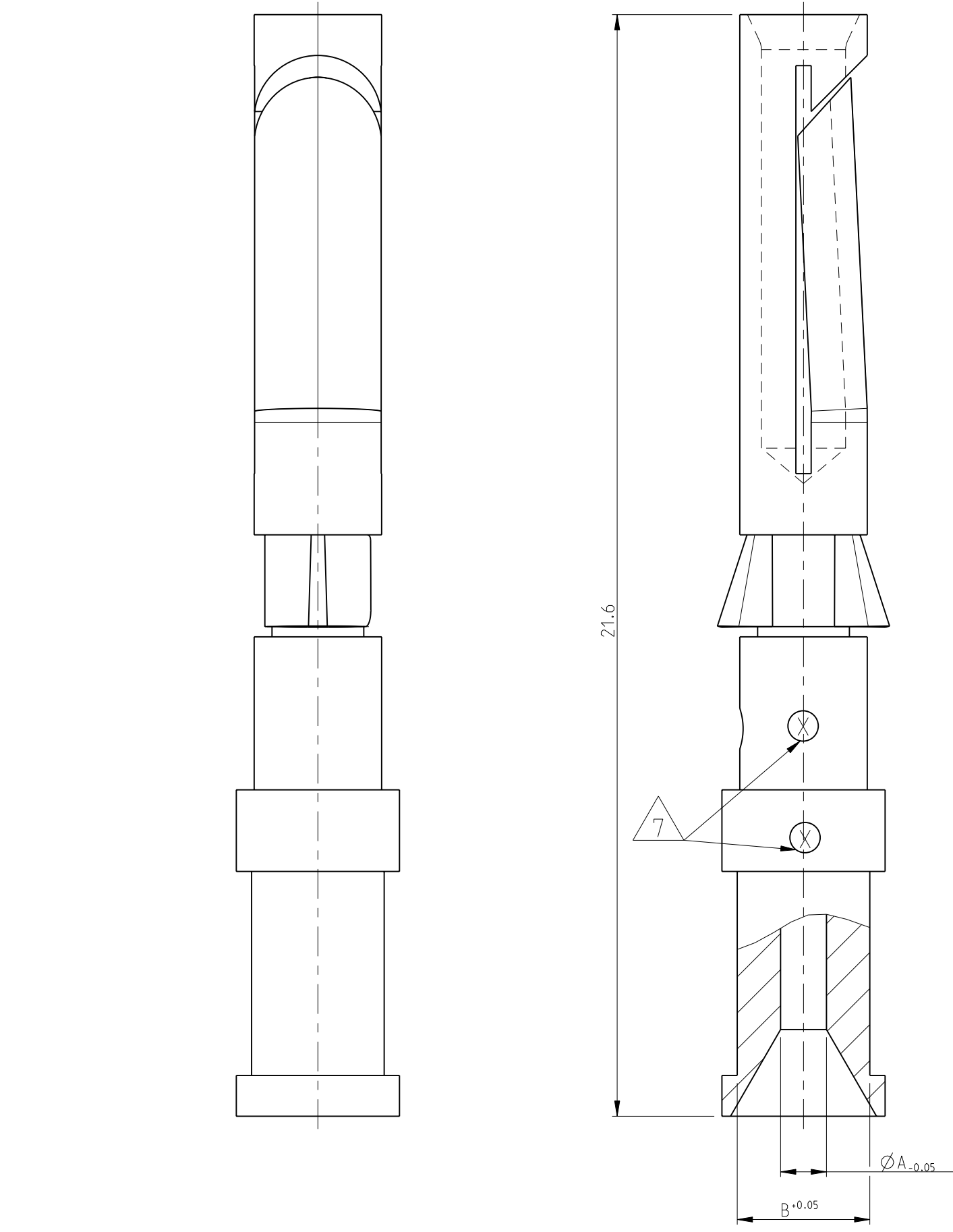


THIS DRAWING IS UNPUBLISHED. RELEASED FOR PUBLICATION 1997
 © COPYRIGHT 1997 ALL RIGHTS RESERVED.

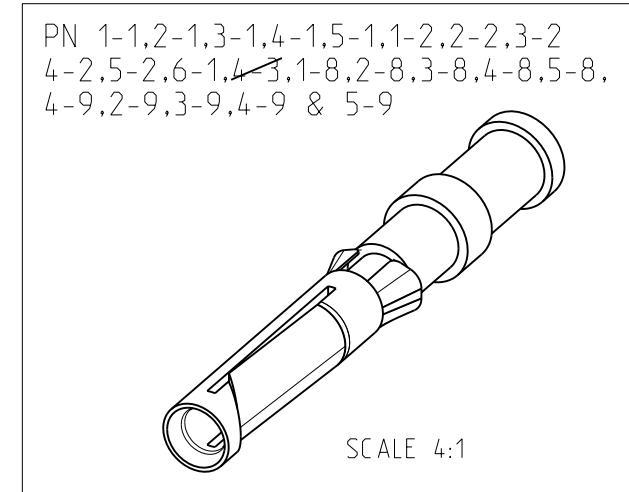


PN 1-1.2-1.3-1.4-1.5-1.1-2.2-2.3-2
 4-2.5-2.6-1.4-3.1-8.2-8.3-8.4-8.5-8.
 4-9.2-9.3-9.4-9 & 5-9



LOC	DIST	REVISIONS					
		P	LTR	DESCRIPTION	DATE	DWN	APVD
A1	-	B3		REWORKED PER ECR 09-026789	08DEC2009	MH	BR
		B4		ECR-11-002636	05APR2011	SR	AR

- NOTES
- 1 MATERIAL SEE TABLE
 - 2 SURFACE SEE TABLE
 - 3 ASSEMBLY WEIGHT SEE TABLE
 - 4 PACKAGING: 50 PIECES IN POLY-BAG 0-1243085-8
 - 5 PACKAGING: 500 PIECES IN POLY-BAG 0-1243085-8
 - 6 PACKAGING: 10 PIECES IN POLY-BAG 0-1243085-8
 - 7 CROSS-SECTION MARKING



QTY	DESCRIPTION	WEIGHT IN (Kg)	MATERIAL	SURFACE	ϕA	ϕB	CROSS SECTION MARKING	POS
1	Catch Spring		Stainless Steel					2
1	Socket Contact 1.5 mm ²	0.00062	Brass	Ag/Ni	1.8	3.0	4	
1	Socket Contact 4.0 mm ²	0.00059	Brass	Ag/Ni	2.4	3.2	6	
1	Socket Contact 2.5 mm ²	0.00067	Brass	Au	2.2	3.2	5	
1	Socket Contact 1.5 mm ²	0.00067	Brass	Au	1.8	3.0	4	
1	Socket Contact 0.75-10 mm ²	0.00063	Brass	Au	1.45	2.6	3	
1	Socket Contact 0.5 mm ²	0.00062	Brass	Au	1.1	2.6	2	
1	Socket Contact 0.14-0.37 mm ²	0.00061	Brass	Au	0.9	2.6	1	
1	Socket Contact 2.5 mm ²	0.00065	Brass	Ag/Cu	2.2	3.2	5	1
1	Socket Contact 1.5 mm ²	0.00067	Brass	Ag/Cu	1.8	3.0	4	
1	Socket Contact 0.75-10 mm ²	0.00063	Brass	Ag/Cu	1.45	2.6	3	
1	Socket Contact 0.5 mm ²	0.00062	Brass	Ag/Cu	1.1	2.6	2	
1	Socket Contact 0.14-0.37 mm ²	0.00061	Brass		0.9	2.6	1	
1	Socket Contact 0.14-0.37 mm ²	0.00065	Fe	Au	0.9	2.6	1	
1	Socket Contact 0.14-0.37 mm ²	0.00067	Brass	Ag/Cu	0.9	2.6	1	

THIS DRAWING IS A CONTROLLED DOCUMENT.

DIMENSIONS:	TOLERANCES UNLESS OTHERWISE SPECIFIED:
mm	0 PLC ±0.15 1 PLC ±0.10 2 PLC ±0.075 3 PLC ±0.05 4 PLC ±0.025 ANGLES ±0.5°
MATERIAL	FINISH
1	2

DWN	Braun	23.07.1997	TE Connectivity
CHK	Schnurpfeil	23.07.1997	
APVD	-	-	NAME
PRODUCT SPEC	108-74018		SOCKET CONTACT SERIES HN.D
APPLICATION SPEC	114-74015		SIZE
WEIGHT	-		CAGE CODE
CUSTOMER DRAWING			DRAWING NO
			RESTRICTED TO
			SCALE
			SHEET
			REV