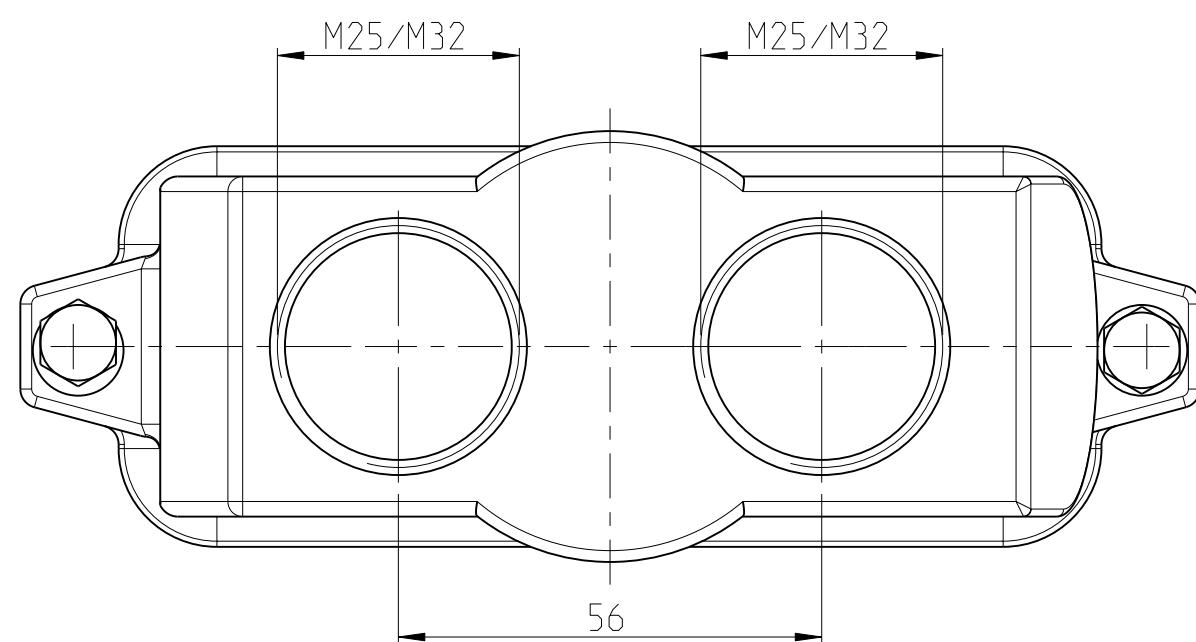
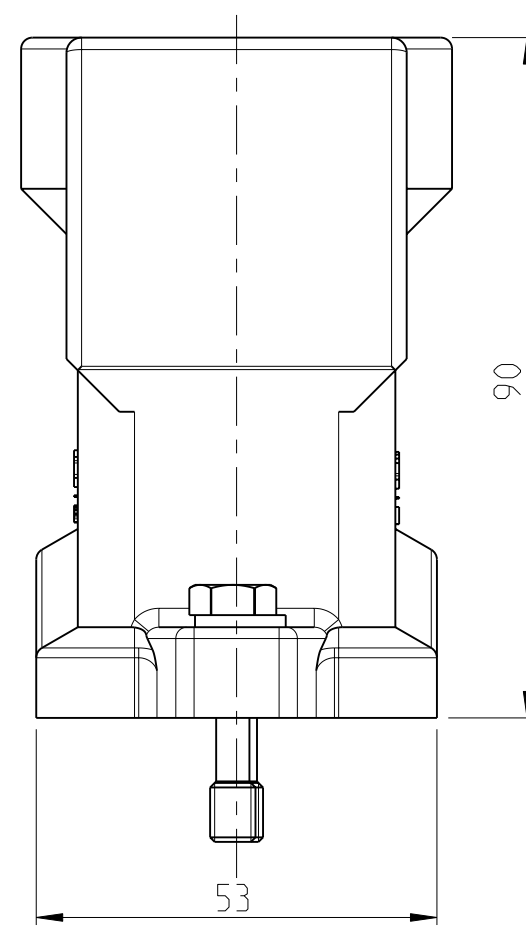
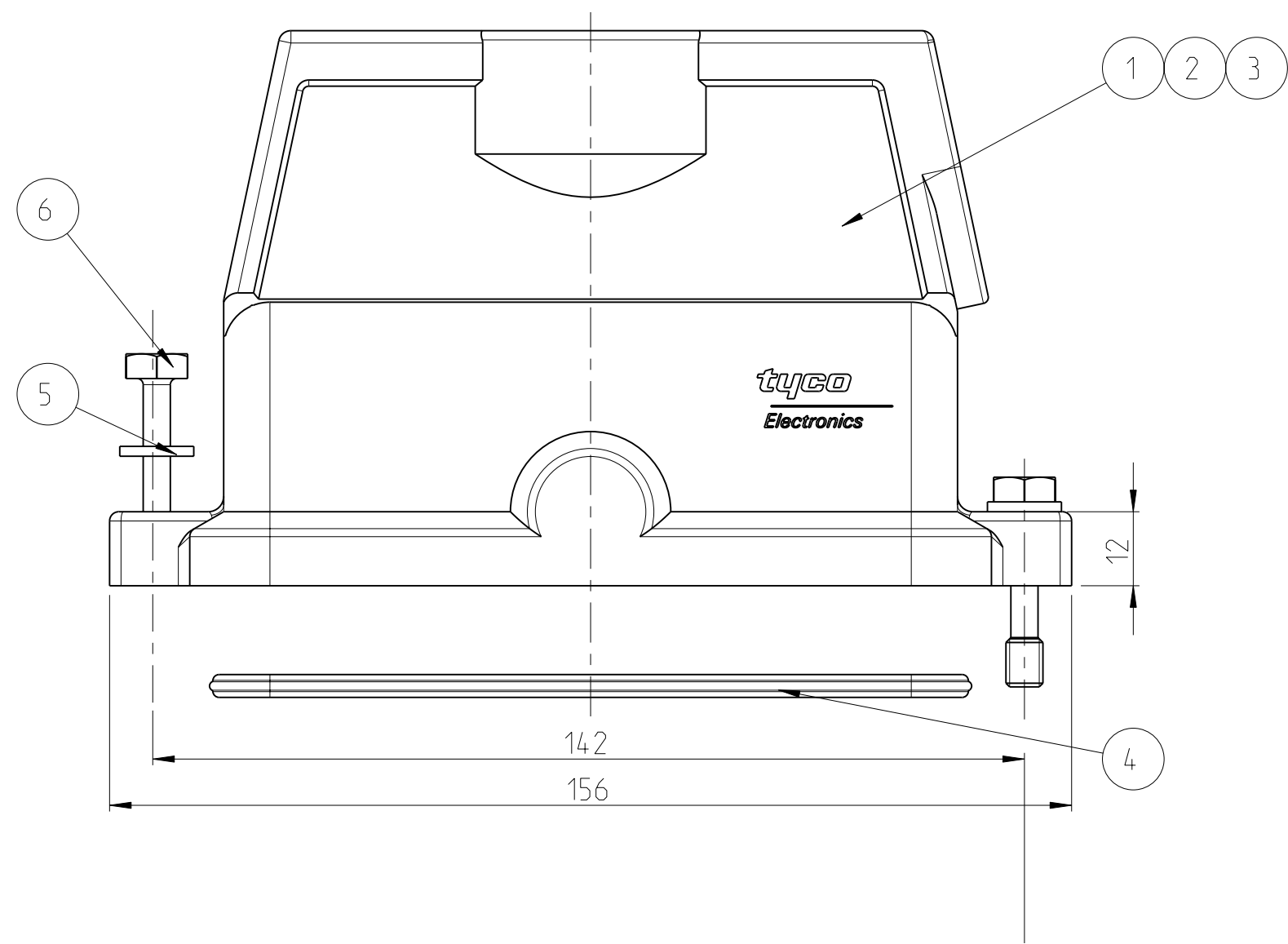


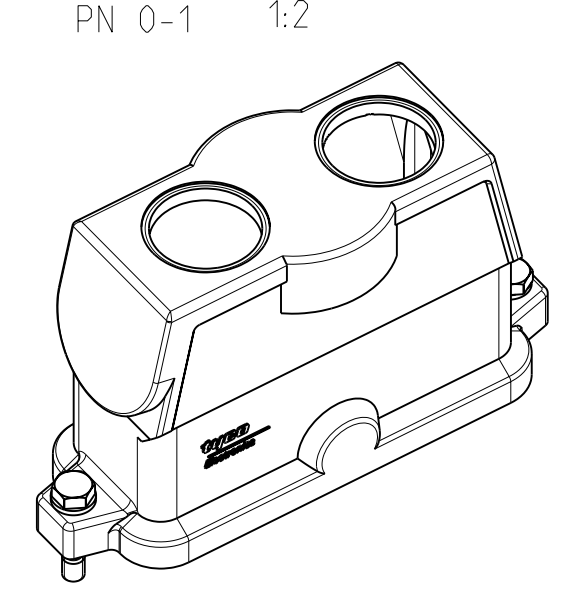
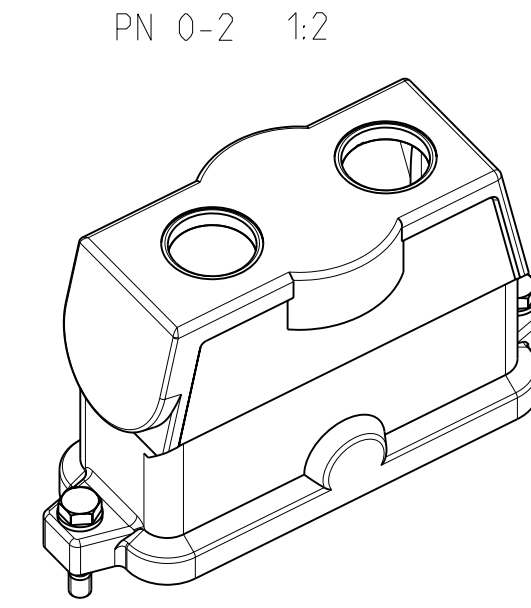
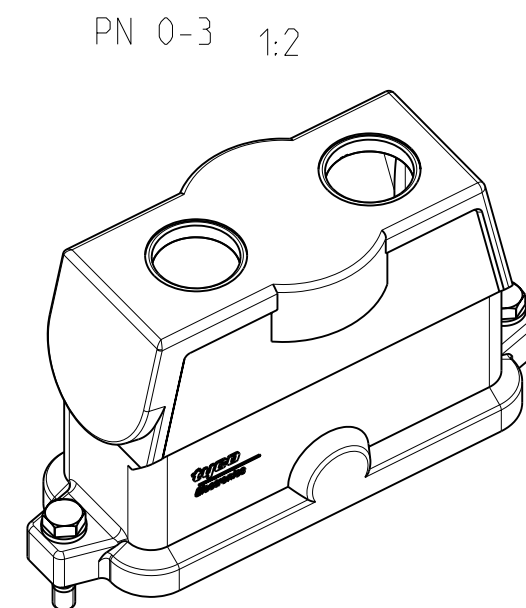
THIS DRAWING IS UNPUBLISHED. RELEASED FOR PUBLICATION 2009
 © COPYRIGHT 2009 BY TYCO ELECTRONICS CORPORATION. ALL INTERNATIONAL RIGHTS RESERVED.

LOC	DIST	REVISIONS					
		P	LTR	DESCRIPTION	DATE	DWN	APVD
A1	-	A5		ECR-10-005196	11FEB2010	VG	BR



NOTES

- 1 SUITABLE HOUSINGS:
CUSTOMER DRAWING: 1102665, 1102626, 1102628, 1108533, 1102624, 1102625, 1106472
- 2 STANDARDS:
DIN EN 61984, DIN EN 60664-1
- 3 TOOL:
HEXAGONAL DRIVE SIZE 10
- 4 VARNISH ON INSIDE AREA NOT NECESSARY
- 5 PACKAGING: 5 PIECES IN A CARTON BOX
- SEE TE QUALITYMANAGEMENT PROCEDURE EMEA 1012



0-1102792-3	HIP-K.24/64.STO.2.M25.G
0-1102792-2	HIP-K.24/64.STO.2.M25.G
0-1102792-1	HIP-K.24/64.STO.2.M32.G
PART NO.	ORDERING TEXT

PN/QTY	DESCRIPTION	MATERIAL	COLOR/SURFACE	NOTE	ITEM		
2	2	2	SCREW, HEXAGONAL BOLT	STAINL. STEEL	BLANK	M6x30, DIN 7964, RED. SHUNK	6
2	2	2	WASHER, PLAIN	STAINL. STEEL	BLANK	B6, EN ISO 7089, 200 HV	5
1	1	1	PROFILE SEAL	NEOPRENE	BLACK	SIZE 8	4
1	-	-	CONNECTOR HOUSING	ALU	BLACK	SIZE 8, THREAD M25	3
-	1	-	CONNECTOR HOUSING	ALU	BLACK	SIZE 8, THREAD M25, WITHOUT LOGO	2
-	-	1	CONNECTOR HOUSING	ALU	BLACK	SIZE 8, THREAD M32	1

PARTS LIST (PER ONE UNIT)

<small>THIS DRAWING IS A CONTROLLED DOCUMENT FOR TYCO ELECTRONICS CORPORATION. IT IS SUBJECT TO CHANGE AND THE CONTROLLING ENGINEERING ORGANIZATION SHOULD BE CONTACTED FOR THE LATEST REVISION.</small>		DWN V. GLUMM 11FEB2010 CHK G. WROBLEWSKI 11FEB2010 APVD H. BRAUN 11FEB2010	Tyco Electronics AMP GmbH 64625 Bensheim (Germany)
DIMENSIONS: mm 	TOLERANCES UNLESS OTHERWISE SPECIFIED: 0 PLC ± 1 PLC ± 2 PLC ± 3 PLC ± 4 PLC ± ANGLES ±° FINISH	NAME PRODUCT SPEC APPLICATION SPEC WEIGHT	NAME SIZE CAGE CODE DRAWING NO RESTRICTED TO
MATERIAL		CUSTOMER DRAWING	A2 00779 ©=1102792 SCALE 5:1 SHEET 1 OF 1 REV A5