

PAD18-02

---

Product Feature

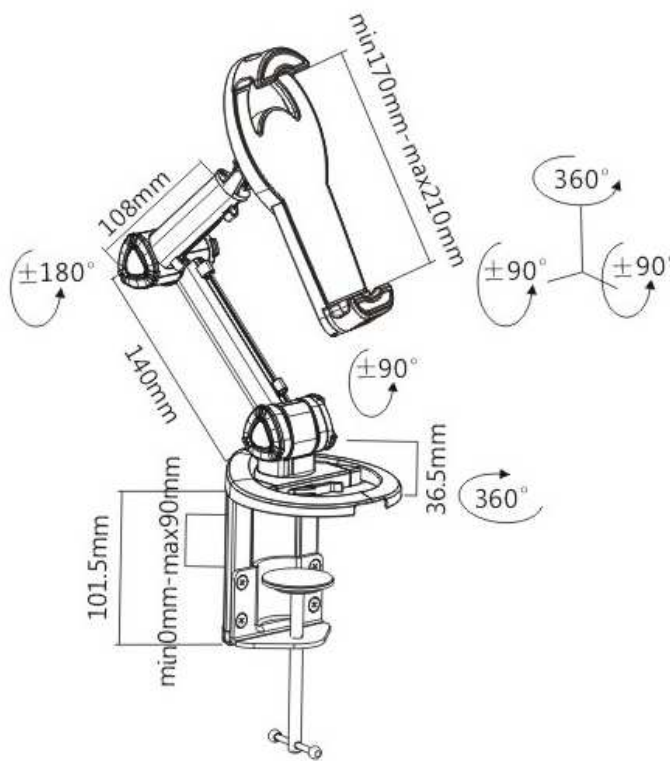
---

- \*Clamp holder mount for iPad mini/1/2/3/4/Air, Galaxy and most 7"-10.4" tablets
  - \*Slide-in mounting plate
  - \*Flexible arm allows 90° up/down tilt and 180°swivel
  - \*360°rotation allows portrait and landscape viewing
  - \*Material: Aluminum&steel&plastic
  - \*Profile:75-320mm
- 

Technical data

---

- Dimension: see below line drawing



---

Standard data

---

- Weight: 0.9KG
- Operating temperature and humidity : No strict requirement, under the normal temperature and humidity is ok
- Storage temperature and humidity: No strict requirement, under the normal temperature and humidity is ok