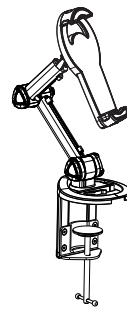
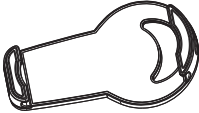
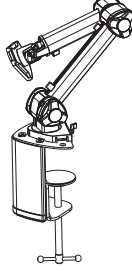




# PAD18-02

## Installation Instruction



ITEM	DESCRIPTION/PART NO.	QUANTITY	ITEM	DESCRIPTION/PART NO.	QUANTITY
A	 panel holder	1	C	 clamp arm	1
B	 plastic clamp cover	1	D	 Allen key 2.5mm	1

